



Chipsmall Limited consists of a professional team with an average of over 10 year of expertise in the distribution of electronic components. Based in Hongkong, we have already established firm and mutual-benefit business relationships with customers from,Europe,America and south Asia,supplying obsolete and hard-to-find components to meet their specific needs.

With the principle of “Quality Parts,Customers Priority,Honest Operation,and Considerate Service”,our business mainly focus on the distribution of electronic components. Line cards we deal with include Microchip,ALPS,ROHM,Xilinx,Pulse,ON,Everlight and Freescale. Main products comprise IC,Modules,Potentiometer,IC Socket,Relay,Connector.Our parts cover such applications as commercial,industrial, and automotives areas.

We are looking forward to setting up business relationship with you and hope to provide you with the best service and solution. Let us make a better world for our industry!



Contact us

Tel: +86-755-8981 8866 Fax: +86-755-8427 6832

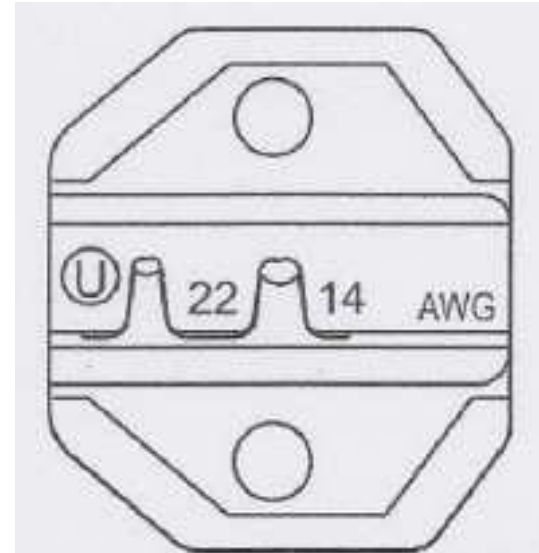
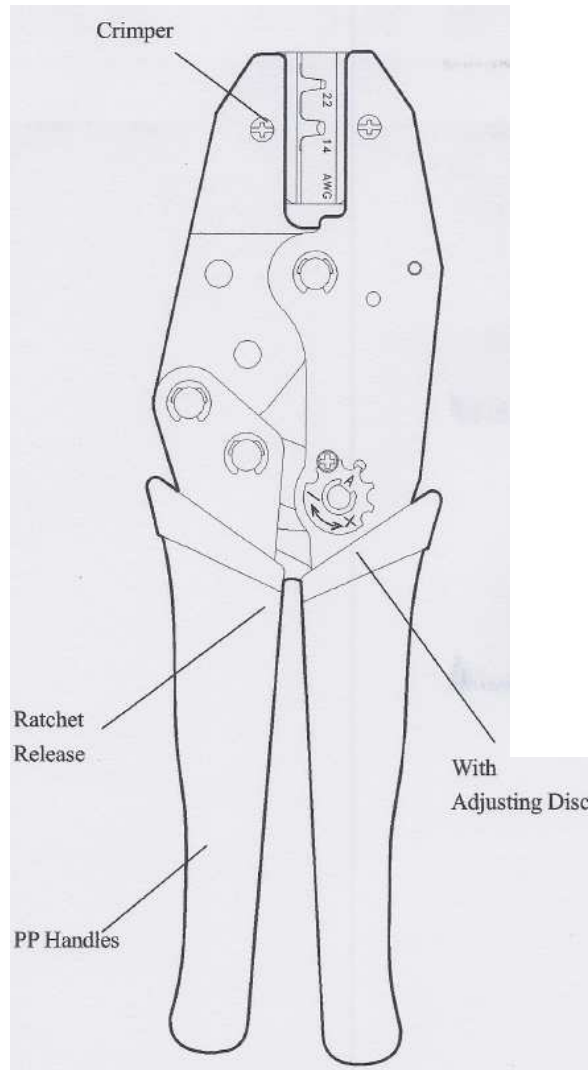
Email & Skype: info@chipsmall.com Web: www.chipsmall.com

Address: A1208, Overseas Decoration Building, #122 Zhenhua RD., Futian, Shenzhen, China





DESCRIPTION: D-SUB RATCHET CRIMP TOOL, 14-22 AWG
 MODEL NUMBER: 24-8644P
 CRIMP TOOL: N/A
 IMPEDANCE: N/A
 FREQUENCY RANGE: N/A
 MATERIAL: FRAME - MIDDLE CARBON STEEL
 CRIMPER - MADE OF OFF WAX
 RoHS COMPLIANCE: N/A
 TECHNICAL DETAIL: N/A
 LENGTH: 8.7" (220mm)
 WEIGHT: 500g



	3RD ANGLE PROJECTION 	AIM-Cambridge	
	RoHS2 <input checked="" type="checkbox"/> 2011/65/EU <small>UNLESS OTHERWISE SPECIFIED UNITS: METRIC</small> $-X \pm .2$ $-XX \pm .07$ INTERPRET DRAWING IN ACCORDANCE WITH ASME Y14.5-2009.	Title: D-Sub Ratchet Tool, 14-22AWG and V.35 Contacts Gauge Model No. 24-8644P	Size A DO NOT SCALE DRAWING Date: 2015/5/18 Sheet 1 of 1