



Chipsmall Limited consists of a professional team with an average of over 10 year of expertise in the distribution of electronic components. Based in Hongkong, we have already established firm and mutual-benefit business relationships with customers from,Europe,America and south Asia,supplying obsolete and hard-to-find components to meet their specific needs.

With the principle of “Quality Parts,Customers Priority,Honest Operation,and Considerate Service”,our business mainly focus on the distribution of electronic components. Line cards we deal with include Microchip,ALPS,ROHM,Xilinx,Pulse,ON,Everlight and Freescale. Main products comprise IC,Modules,Potentiometer,IC Socket,Relay,Connector.Our parts cover such applications as commercial,industrial, and automotives areas.

We are looking forward to setting up business relationship with you and hope to provide you with the best service and solution. Let us make a better world for our industry!



Contact us

Tel: +86-755-8981 8866 Fax: +86-755-8427 6832

Email & Skype: info@chipsmall.com Web: www.chipsmall.com

Address: A1208, Overseas Decoration Building, #122 Zhenhua RD., Futian, Shenzhen, China





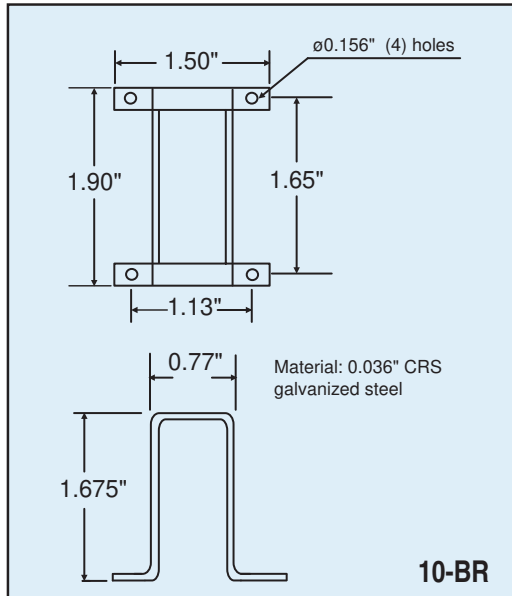
Accessories

Mounting Hardware | TransPort™ Connectors



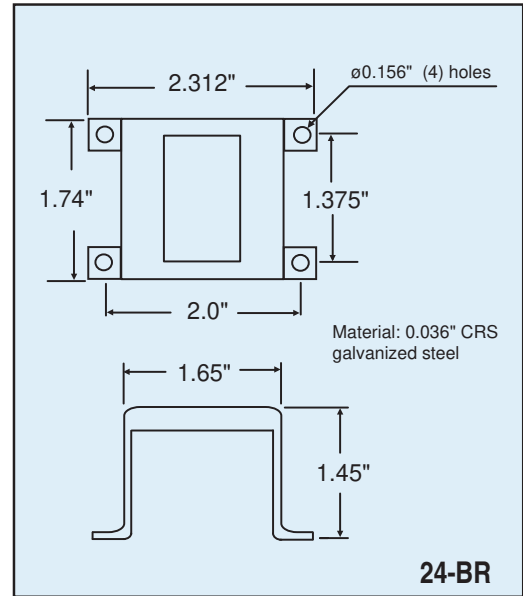
- Signal's accessory products include brackets, screws and TransPort™ connectors to be used in conjunction with a variety of our power transformers.

Brackets

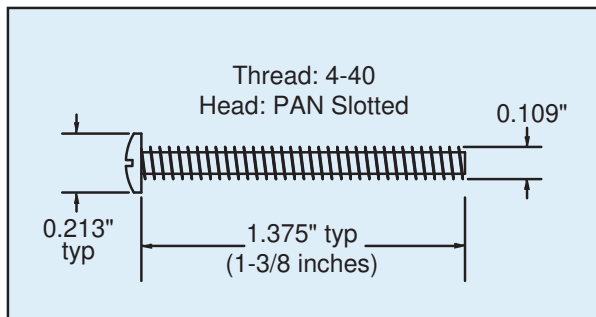


Bracket		
Number	MW	MD
	Inches (mm)	
10-BR	1.65 (41.9)	1.13 (28.7)
24-BR	1.37 (34.9)	2.00 (50.8)

- 10-BR bracket for use with Signal's 10VA size PC, DPC, MPC, and DMPC series transformers
- 24-BR bracket for use with Signal's 24VA size PC, DPC, MPC, and DMPC series transformers
- Please refer to transformer data sheets for details on bracket compatibility and transformer part numbers

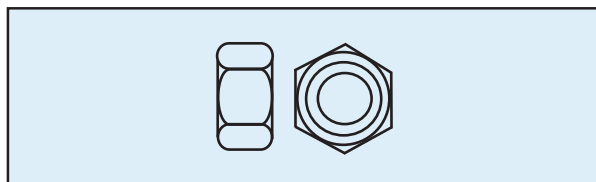


Screws



Part Number	Description
ST-MS*	Slotted pan screw 4-40, 1 3/8" long, plastic
ST-MN*	Hex nut 4-40, plastic
250-FO-SL*	1/4" Fast-on spade lug (used with TransPort™ connectors)

* Sold in bags of 100 only.



- For use with Signal's 14A, ST, DST, LP, and MPL series transformers
- Slotted pan screw 4-40 x 1 3/8" thread size (part number ST-MS)
- Compatible with 4-40 hex nut (part number ST-MN)

©2015 Signal Transformer Inc. Specifications subject to change without notice. 07.15