



Chipsmall Limited consists of a professional team with an average of over 10 year of expertise in the distribution of electronic components. Based in Hongkong, we have already established firm and mutual-benefit business relationships with customers from,Europe,America and south Asia,supplying obsolete and hard-to-find components to meet their specific needs.

With the principle of “Quality Parts,Customers Priority,Honest Operation,and Considerate Service”,our business mainly focus on the distribution of electronic components. Line cards we deal with include Microchip,ALPS,ROHM,Xilinx,Pulse,ON,Everlight and Freescale. Main products comprise IC,Modules,Potentiometer,IC Socket,Relay,Connector.Our parts cover such applications as commercial,industrial, and automotives areas.

We are looking forward to setting up business relationship with you and hope to provide you with the best service and solution. Let us make a better world for our industry!



Contact us

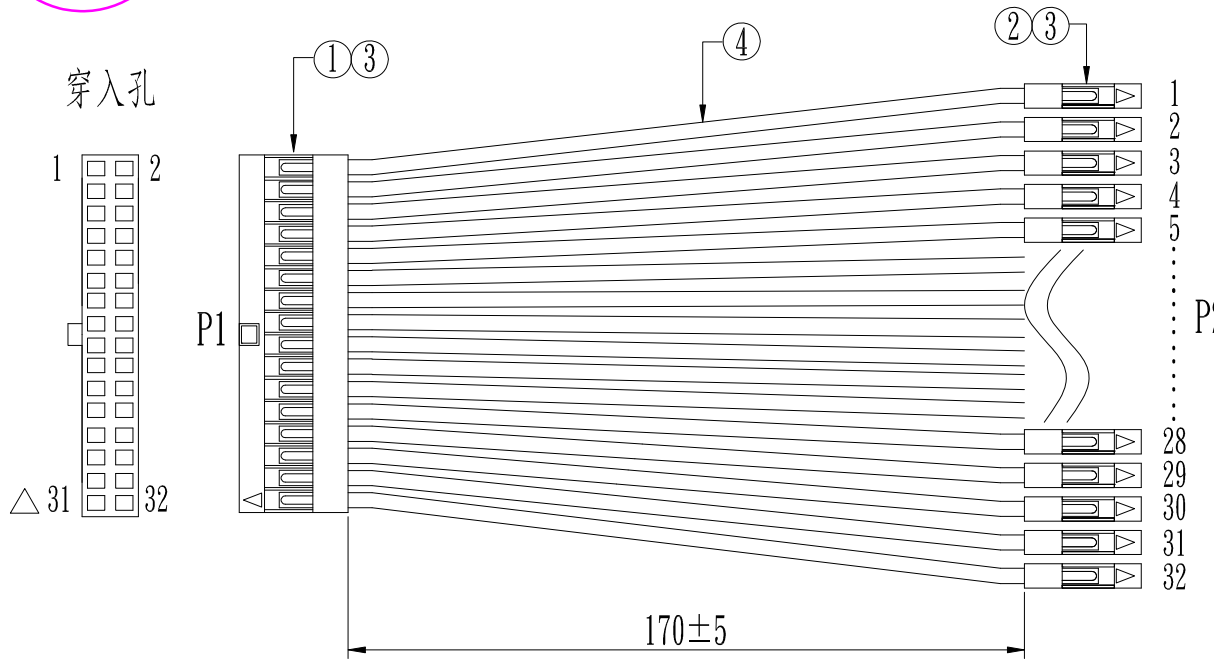
Tel: +86-755-8981 8866 Fax: +86-755-8427 6832

Email & Skype: info@chipsmall.com Web: www.chipsmall.com

Address: A1208, Overseas Decoration Building, #122 Zhenhua RD., Futian, Shenzhen, China



承洧科技
工程課
2016.3.25
未確認



接點表

P1	P2	P1	P2
1 黑(Black)	1	17 綠(Green)	17
2 黑(Black)	2	18 綠印白(Green\White)	18
3 棕(Brown)	3	19 粉紅(Pink)	19
4 棕印白(Brown\White)	4	20 粉紅印白(Pink\White)	20
5 紫(Purple)	5	21 黑(Black)	21
6 紫印白(Purple\White)	6	22 黑(Black)	22
7 綠(Green)	7	23 棕(Brown)	23
8 綠印白(Green\White)	8	24 棕印白(Brown\White)	24
9 粉紅(Pink)	9	25 紫(Purple)	25
10 粉紅印白(Pink\White)	10	26 紫印白(Purple\White)	26
11 黑(Black)	11	27 綠(Green)	27
12 黑(Black)	12	28 綠印白(Green\White)	28
13 棕(Brown)	13	29 粉紅(Pink)	29
14 棕印白(Brown\White)	14	30 粉紅印白(Pink\White)	30
15 紫(Purple)	15	31 黑(Black)	31
16 紫印白(Purple\White)	16	32 黑(Black)	32

物料說明

序號	環保材料	物料編號	規格	用量(PC)	重量(G)	損耗(G)	供應商
1	HOUSING		杜邦2.54-2*16P HOUSING 有凸點 (or EQUIVALENT)	1			
2	HOUSING		杜邦2.54-1P HOUSING (or EQUIVALENT)	32			
3	端子		杜邦2.54 母端子 (or EQUIVALENT)	64			
4	線材		UL1007#24AWG 棕印白*3、紫印白*3、綠印白*3、粉紅印白*3 L=186MM (or EQUIVALENT)	12			
			UL1007#24AWG 棕*3、紫*3、綠*3、粉紅*3、黑*8 L=186MM (or EQUIVALENT)	20			

L G H O S	成品重量:G	客戶名稱	肯創	制圖	Shih	單位	MM
		客戶料號		確認		比例	/
		承洧料號		核准		頁次	1/1
		圖號	SN-1050323-1	版本	S1	日期	2016.03.25


承洧科技股份有限公司
東莞承洧電子有限公司
 新北市中和區板南路490號6樓 TEL:3234-6589 FAX:3234-7647
 廣東省東莞市常平鎮漱新沙田工業區 TEL:86-0769-83930879 FAX:86-0769-83930856