



Chipsmall Limited consists of a professional team with an average of over 10 year of expertise in the distribution of electronic components. Based in Hongkong, we have already established firm and mutual-benefit business relationships with customers from,Europe,America and south Asia,supplying obsolete and hard-to-find components to meet their specific needs.

With the principle of “Quality Parts,Customers Priority,Honest Operation,and Considerate Service”,our business mainly focus on the distribution of electronic components. Line cards we deal with include Microchip,ALPS,ROHM,Xilinx,Pulse,ON,Everlight and Freescale. Main products comprise IC,Modules,Potentiometer,IC Socket,Relay,Connector.Our parts cover such applications as commercial,industrial, and automotives areas.

We are looking forward to setting up business relationship with you and hope to provide you with the best service and solution. Let us make a better world for our industry!



Contact us

Tel: +86-755-8981 8866 Fax: +86-755-8427 6832

Email & Skype: info@chipsmall.com Web: www.chipsmall.com

Address: A1208, Overseas Decoration Building, #122 Zhenhua RD., Futian, Shenzhen, China



BL FPM ...

Flat-panel monitor for the industrial environment



Data sheet
3467_en_D

© PHOENIX CONTACT 2017-06-20

1 Description

The Basicline BL FPM ... is an industrial flat-panel monitor that can be used in applications where a remote display location is required.

2 Features

- 15.6-, 18.5-, and 21.5-inch display
- 10-point, multi-touch, touch screens
- DisplayPort 1.2, VGA, and DVI-I input ports
- Integrated configuration buttons



Circuit ground (0 V) and functional earth ground (FE) are connected.



Make sure you always use the latest documentation.
It can be downloaded at phoenixcontact.net/products.



This data sheet is valid for all products listed on the following page:

3 Ordering data

Products

| Description | Type | Order No. | Pcs./Pkt. |
|-------------------------------------|-------------|-----------|-----------|
| LCD touch screen monitor, 21.5 inch | BL FPM 21.5 | 2400515 | 1 |
| LCD touch screen monitor, 18.5 inch | BL FPM 18.5 | 2402981 | 1 |
| LCD touch screen monitor, 15.6 inch | BL FPM 15.6 | 2402980 | 1 |

4 Technical data

General data

| | |
|-----------------------------------------|-------------------------------------------|
| Ambient temperature (operating) | -10 ... 60°C |
| Ambient temperature (storage/transport) | -20 ... 75°C |
| Permissible humidity (relative) | 10 ... 90% non-condensing |
| Weight | 7 kg |
| Mounting | Panel cutout with bezel VESA MIS-D 100 |
| Degree of protection | IP65 (front), IP20 (back) |
| LED indicators | Power |

Electrical data

| | |
|-----------------------|-----------------------------------------------|
| Power supply, range | 24 V DC -50%/+20% |
| Current draw, maximum | 1.72 A (12 V DC) |
| Power connector | 3-pos. removable COMBICON (Order No. 1786844) |

Display data, 21.5-inch display

| | |
|-------------------------------------------------|---------------------------------------------|
| Overall dimensions, including bezel (W x H x D) | 562 x 382 x 51mm |
| Screen size, diagonal | 548 mm (~21.5 in.) |
| Screen size, horizontal x vertical | 477 X 270 mm |
| Aspect ratio | 16:9 |
| Resolution | 1920 x 1080 |
| Type | 10-point projective capacitive touch screen |
| Brightness | 300 Cd/m ² |
| Number of colors | 16.7 million |
| Contrast ratio | 5000:1 |
| View angle, horizontal/vertical (CR=10), typ. | 85°/80° |
| Installation cutout dimensions (W x H) | 547 x 367 mm |
| Outside bezel dimensions (W x H x D) | 562 x 382 x 9 mm |
| Backlight life, minimum | 50000 hr. |
| Touch screen interface | USB Type A |
| Video signal | VGA, DVI-I, DisplayPort (DP++) |

Display data, 18.5-inch display

| | |
|-------------------------------------------------|---------------------------------------------|
| Overall dimensions, including bezel (W x H x D) | 491 x 321 x 51 mm |
| Screen size, diagonal | 472 mm (~18.5 in.) |
| Screen size, horizontal x vertical | 412 X 232 mm |
| Aspect ratio | 16:9 |
| Resolution | 1366 x 768 |
| Type | 10-point projective capacitive touch screen |
| Brightness | 300 Cd/m ² |
| Number of colors | 16.7 million |
| Contrast ratio | 1000:1 |
| View angle, horizontal/vertical (CR=10), typ. | 85°/80° |
| Installation cutout dimensions (W x H) | 475 x 305 mm |
| Outside bezel dimensions (W x H x D) | 591 x 321 x 10 mm |
| Backlight life, minimum | 50000 hr. |
| Touch screen interface | USB Type A |
| Video signal | VGA, DVI-I, DisplayPort (DP++) |

Display data, 15.6-inch display

| | |
|-------------------------------------------------|---------------------------------------------|
| Overall dimensions, including bezel (W x H x D) | 417 x 312 x 52 mm |
| Screen size, diagonal | 397 mm (~15.6 in.) |
| Screen size, horizontal x vertical | 346 X 195 mm |
| Aspect ratio | 16:9 |
| Resolution | 1366 x 768 |
| Type | 10-point projective capacitive touch screen |
| Brightness | 300 Cd/m ² |
| Number of colors | 16.7 million |
| Contrast ratio | 500:1 |
| View angle, horizontal/vertical (CR=10), typ. | 85°/80° |
| Installation cutout dimensions (W x H) | 401 x 296 mm |
| Outside bezel dimensions (W x H x D) | 417 x 312 x 6 mm |
| Backlight life, minimum | 50000 hr. |
| Touch screen interface | USB Type A |
| Video signal | VGA, DVI-I, DisplayPort (DP++) |

Conformity

| | |
|-----------------------------------------|--------------------|
| Shock tests according to IEC 60068-2-27 | 15g, 11 ms impulse |
| Vibration according to IEC 60068-2-64 | 1g |

5 Installation

5.1 Panel installation

1. Cut the appropriate size hole in the enclosure where the monitor will be installed.

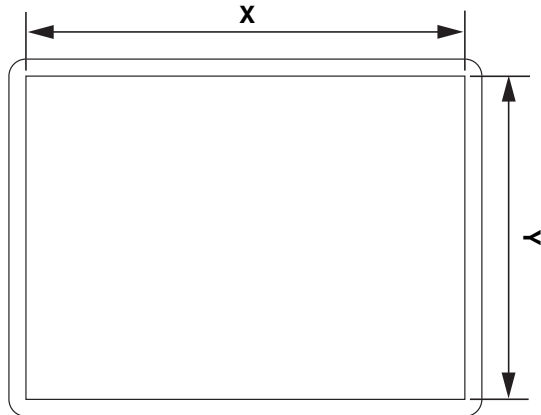


Figure 1 Panel cutout dimensions

| Display | X (mm) | Y (mm) |
|----------|--------|--------|
| 21.5 in. | 547 | 367 |
| 18.5 in. | 475 | 306 |
| 15.6 in. | 401 | 296 |

2. From the front, push the BL FPM ... through the opening. Ensure the gasket is properly positioned in the groove.
3. From the rear, place the display clamps (1) in the slots (2) on the display and slide the clamp to the right. All eight clamps must be used, one in every slot.

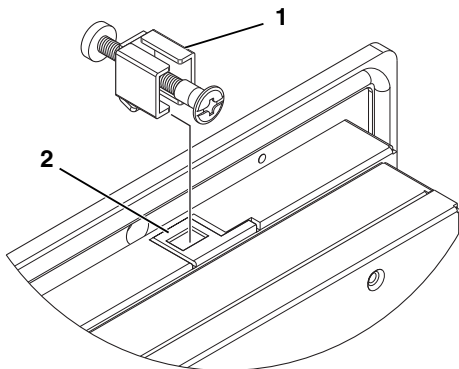


Figure 2 Monitor mounting clamp

4. Tighten the screws on all clamps, alternating from one side to the other until the front bezel is secure against the mounting cutout. Torque the bolts to 1.2 Nm.

5.2 VESA mounting



While the BL FPM ... includes a VESA mount, this method negates the IP65 environmental rating and other mechanical tests.

In addition to panel installation, the BL FPM ... can be installed on a VESA mount. The rear of the BL FPM ... conforms to the 100 mm variant of the VESA MIS-D mounting standard.



M4 hardware is not included. It is typically included with the VESA mount, which must be purchased separately.

5.3 Connections

Connectors to interface with the computer are located on the rear bottom of the BL FPM ...

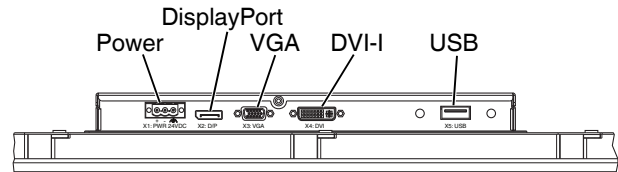


Figure 3 Monitor connections



All ports were tested with a shielded 1.8 m cables. The VGA and DVI cables included a ferrite core. Phoenix Contact will not ensure functionality of cables that are outside this specification.



DisplayPort, VGA, DVI-I, and USB ports are restricted to 1.8 m cables to meet the test environment.

VGA and DVI-I cables require double-ended ferrite cores.

- **Power:** Connect 12/24 V DC power to the included removable power connector (Order No. 1786844). This connector supports wire sizes from 0.2 to 2.5 mm² (24 to 12 AWG). Tighten the wire retaining screws using 0.5 Nm (4.4 lb_f-ft) torque.
- **DisplayPort (D/P):** This port connects to a DisplayPort on a computer.
- **VGA:** This DB-15 port connects to the computer to receive analog video signals (1.8 m VGA cable included).
- **DVI-I:** This DVI-I port connects to the computer to receive digital (DVI) video signals.

- **USB:** USB Type A port provides the touch screen interface to the PC. A USB type A to type A cable is included with the BL FPM ... monitor.



The USB port on the BL FPM ... is a dedicated touch screen interface. It is not intended for connection to other types of USB devices.