



Chipsmall Limited consists of a professional team with an average of over 10 year of expertise in the distribution of electronic components. Based in Hongkong, we have already established firm and mutual-benefit business relationships with customers from,Europe,America and south Asia,supplying obsolete and hard-to-find components to meet their specific needs.

With the principle of “Quality Parts,Customers Priority,Honest Operation,and Considerate Service”,our business mainly focus on the distribution of electronic components. Line cards we deal with include Microchip,ALPS,ROHM,Xilinx,Pulse,ON,Everlight and Freescale. Main products comprise IC,Modules,Potentiometer,IC Socket,Relay,Connector.Our parts cover such applications as commercial,industrial, and automotives areas.

We are looking forward to setting up business relationship with you and hope to provide you with the best service and solution. Let us make a better world for our industry!



Contact us

Tel: +86-755-8981 8866 Fax: +86-755-8427 6832

Email & Skype: info@chipsmall.com Web: www.chipsmall.com

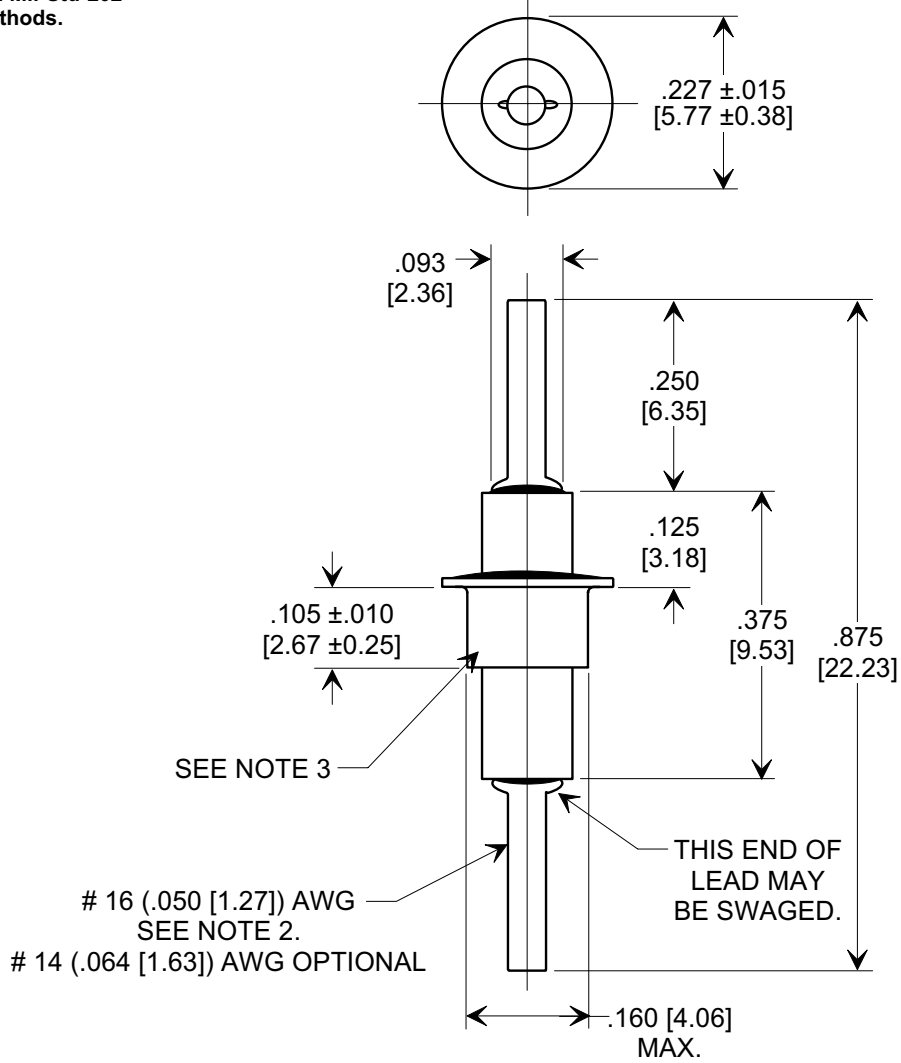
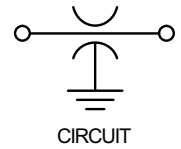
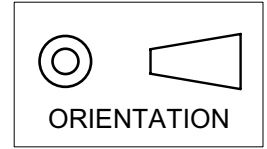
Address: A1208, Overseas Decoration Building, #122 Zhenhua RD., Futian, Shenzhen, China



MARKETING SALES DRAWING

DIMENSIONS IN INCHES - DO NOT SCALE THIS DRAWING
DIMENSIONS IN METRIC - []

Electrical Testing
 per Tusonix standard
 test plans and Mil-Std-202
 Test Methods.



SEE NOTE 3

16 (.050 [1.27]) AWG
 SEE NOTE 2.

14 (.064 [1.63]) AWG OPTIONAL

THIS END OF
 LEAD MAY
 BE SWAGED.

NOTES:

1. TUSONIX STANDARD PART NUMBER: 2404-000-X5U0-102P.
 TUSONIX RoHS COMPLIANT PART NUMBER:
 2404-000-X5U0-102P LF.
 CUSTOMER MUST SPECIFY STANDARD OR RoHS PART
 NUMBER WHEN ORDERING.
2. LEAD FINISH: STANDARD PART #: 60/40 SOLDER PLATED.
 RoHS PART #: SILVER PLATED.
3. EYELET FINISH: STANDARD PART #: 60/40 SOLDER PLATED.
 RoHS PART #: SILVER PLATED.
4. STANDARD VARIATIONS HAVE BOTTOM SWAGE.
 LF VARIATIONS HAVE NO BOTTOM SWAGE.
5. PART MARKING: STANDARD PART: NO MARKING.
 RoHS PART: GREEN DOT IDENTIFIER.

SPECIFICATIONS

Capacitance:	1000 pF
Cap. Tolerance:	+100, -0%
Temp. Coef.:	X5U
Operating Temp.:	-55°C TO +85°C
Voltage Rating:	500 VDC

REVISION RECORD Original Release C.O. 20000113-2-01 ADDED NOTES: S.M. 08-24-05 20050808-1-02	0
	1

--TOLERANCES-- Unless Otherwise Specified
DECIMAL ± .015 [0.38]
ANGLES ±
TUSONIX TUCSON, ARIZONA

Title FEED - THRU CAPACITOR	
Drawn S.M. 01-14-00	Scale 4 X
Approved H.R. 01-14-00	
A	2404-000-X5U0-102P