



Chipsmall Limited consists of a professional team with an average of over 10 year of expertise in the distribution of electronic components. Based in Hongkong, we have already established firm and mutual-benefit business relationships with customers from,Europe,America and south Asia,supplying obsolete and hard-to-find components to meet their specific needs.

With the principle of “Quality Parts,Customers Priority,Honest Operation,and Considerate Service”,our business mainly focus on the distribution of electronic components. Line cards we deal with include Microchip,ALPS,ROHM,Xilinx,Pulse,ON,Everlight and Freescale. Main products comprise IC,Modules,Potentiometer,IC Socket,Relay,Connector.Our parts cover such applications as commercial,industrial, and automotives areas.

We are looking forward to setting up business relationship with you and hope to provide you with the best service and solution. Let us make a better world for our industry!



## Contact us

Tel: +86-755-8981 8866 Fax: +86-755-8427 6832

Email & Skype: info@chipsmall.com Web: www.chipsmall.com

Address: A1208, Overseas Decoration Building, #122 Zhenhua RD., Futian, Shenzhen, China



# Two-4-One™ Power Transformers

## Chassis Mount with Lead Wires



### Split Bobbin with High Isolation



Signal's 241-L transformers use a split bobbin that provides superior isolation and low capacitive coupling.

#### General Specifications

- Power - 2.4 VA to 100 VA
- Dielectric Strength - 2500 Vrms Hipot
- Primaries - Single or dual primaries (115V or 115/230 V - 50/60 Hz)
- Secondary - Single center tapped secondary
- Insulation - Class B (130° C) UL 1446 E66312

#### Compliant With

- UL 506 / UL 5085, CSA 22.2, #66.1

#### Lead Wires

- Hook up lead wire style UL1015, CSA TEW
- Rated 600V -40° to +105° C
- Passes UL VW-1 (flame test)
- All primary and secondary lead wires are 18AWG UL 1015
- All lead wires are 12" in length



Part Number		Secondary RMS Rating	Part Number		Secondary RMS Rating
Single 115V	Dual 115/230V		Single 115V	Dual 115/230V	
241-3-10L	Not Available	10.0 VCT @ 0.25A	241-3-28L	Not Available	28 VCT @ 0.085A
241-4-10L	DP-241-4-10L	10.0 VCT @ 0.60A	241-4-28L	DP-241-4-28L	28 VCT @ 0.20A
241-5-10L	DP-241-5-10L	10.0 VCT @ 1.2A	241-5-28L	DP-241-5-28L	28 VCT @ 0.42A
241-6-10L	DP-241-6-10L	10.0 VCT @ 3.0A	241-6-28L	DP-241-6-28L	28 VCT @ 1.1A
241-7-10L	DP-241-7-10L	10.0 VCT @ 5.0A	241-7-28L	DP-241-7-28L	28 VCT @ 2.0A
241-8-10L	DP-241-8-10L	10.0 VCT @ 10A	241-8-28L	DP-241-8-28L	28 VCT @ 3.6A
241-3-12L	Not Available	12.6 VCT @ 0.20A	241-3-36L	Not Available	36 VCT @ 0.065A
241-4-12L	DP-241-4-12L	12.6 VCT @ 0.50A	241-4-36L	DP-241-4-36L	36 VCT @ 0.17A
241-5-12L	DP-241-5-12L	12.6 VCT @ 1.0A	241-5-36L	DP-241-5-36L	36 VCT @ 0.35A
241-6-12L	DP-241-6-12L	12.6 VCT @ 2.5A	241-6-36L	DP-241-6-36L	36 VCT @ 0.85A
241-7-12L	DP-241-7-12L	12.6 VCT @ 4.0A	241-7-36L	DP-241-7-36L	36 VCT @ 1.5A
241-8-12L	DP-241-8-12L	12.6 VCT @ 8.0A	241-8-36L	DP-241-8-36L	36 VCT @ 2.8A
241-3-16L	Not Available	16.0 VCT @ 0.15A	241-3-48L	Not Available	48 VCT @ 0.05A
241-4-16L	DP-241-4-16L	16.0 VCT @ 0.40A	241-4-48L	DP-241-4-48L	48 VCT @ 0.125A
241-5-16L	DP-241-5-16L	16.0 VCT @ 0.80A	241-5-48L	DP-241-5-48L	48 VCT @ 0.25A
241-6-16L	DP-241-6-16L	16.0 VCT @ 2.0A	241-6-48L	DP-241-6-48L	48 VCT @ 0.63A
241-7-16L	DP-241-7-16L	16.0 VCT @ 3.5A	241-7-48L	DP-241-7-48L	48 VCT @ 1.2A
241-8-16L	DP-241-8-16L	16.0 VCT @ 6.25A	241-8-48L	DP-241-8-48L	48 VCT @ 2.0A
241-3-20L	Not Available	20.0 VCT @ 0.12A	241-3-56	Not Available	56 VCT @ 0.045A
241-4-20L	DP-241-4-20L	20.0 VCT @ 0.30A	241-4-56L	DP-241-4-56L	56 VCT @ 0.11A
241-5-20L	DP-241-5-20L	20.0 VCT @ 0.60A	241-5-56L	DP-241-5-56L	56 VCT @ 0.22A
241-6-20L	DP-241-6-20L	20.0 VCT @ 1.5A	241-6-56L	DP-241-6-56L	56 VCT @ 0.54A
241-7-20L	DP-241-7-20L	20.0 VCT @ 2.8A	241-7-56L	DP-241-7-56L	56 VCT @ 1.00A
241-8-20L	DP-241-8-20L	20.0 VCT @ 5.0A	241-8-56L	DP-241-8-56L	56 VCT @ 1.8A
241-3-24L	Not Available	24.0 VCT @ 0.10A	241-3-120L	Not Available	120VCT @ 0.02A
241-4-24L	DP-241-4-24L	24.0 VCT @ 0.25A	241-4-120L	DP-241-4-120L	120VCT @ 0.05A
241-5-24L	DP-241-5-24L	24.0 VCT @ 0.50A	241-5-120L	DP-241-5-120L	120VCT @ 0.10A
241-6-24L	DP-241-6-24L	24.0 VCT @ 1.25A	241-6-120L	DP-241-6-120L	120VCT @ 0.25A
241-7-24L	DP-241-7-24L	24.0 VCT @ 2.4A	241-7-120L	DP-241-7-120L	120VCT @ 0.50A
241-8-24L	DP-241-8-24L	24.0 VCT @ 4.0A	241-8-120L	DP-241-8-120L	120VCT @ 0.85A

Custom versions available upon request.

©2015 Signal Transformer Inc. Specifications subject to change without notice. 07.15



www.signaltransformer.com

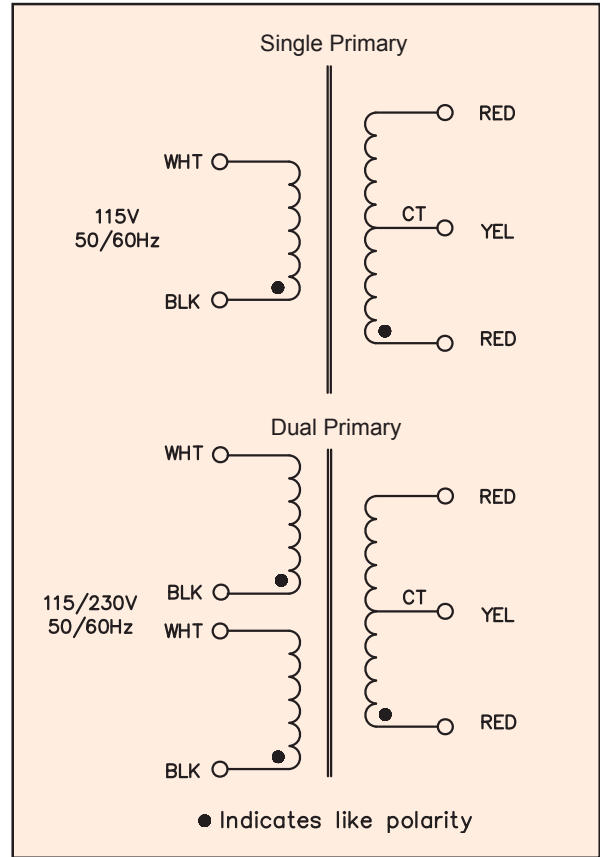
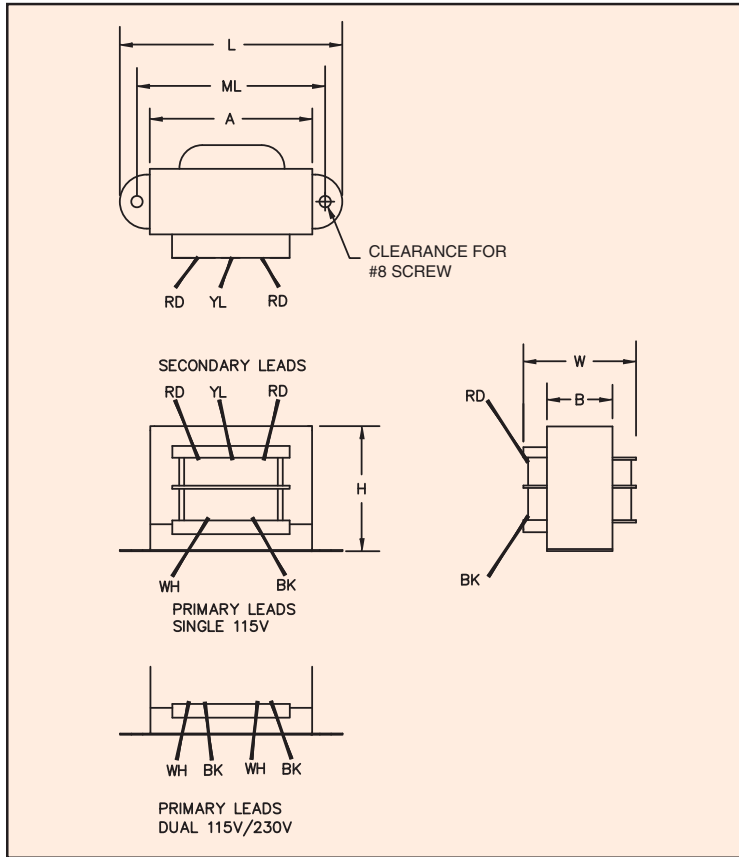
500 Bayview Avenue, Inwood, NY 11096  
 Toll Free 866-239-5777 • Tel 516-239-5777 • Fax 516-239-7208  
 sales@signaltransformer.com • techhelp@signaltransformer.com

# Two-4-One™ Power Transformers

## Chassis Mount with Lead Wires



Split Bobbin with High Isolation



Size	VA	Dimensions						Weight
		L	W	H	A	B	ML typ	
		Inches (mm)						lbs (kg)
3	2.4	2.07 (52.6)	1.17 (29.6)	1.23 (31.2)	1.62 (41.3)	0.59 (15.0)	1.75 (44.5)	0.25 (0.11)
4	6	2.37 (60.3)	1.31 (33.3)	1.43 (36.2)	1.71 (43.4)	0.72 (18.3)	2.00 (50.8)	0.44 (0.20)
5	12	2.81 (71.4)	1.43 (36.3)	1.69 (42.8)	1.97 (49.9)	0.89 (22.6)	2.37 (60.3)	0.7 (0.32)
6	30	3.25 (82.6)	1.74 (44.3)	1.96 (49.8)	2.35 (59.7)	1.14 (28.9)	2.81 (71.4)	1.1 (0.50)
7	56	3.68 (93.5)	1.94 (49.2)	2.28 (57.8)	2.70 (68.4)	1.14 (28.9)	3.12 (79.4)	1.7 (0.77)
8	100	4.03 (102.4)	2.30 (58.5)	2.58 (65.5)	3.08 (78.2)	1.43 (36.2)	3.56 (90.4)	2.75 (1.25)

Custom versions available upon request.

©2015 Signal Transformer Inc. Specifications subject to change without notice. 07.15



500 Bayview Avenue, Inwood, NY 11096  
 Toll Free 866-239-5777 • Tel 516-239-5777 • Fax 516-239-7208  
 sales@signaltransformer.com • techhelp@signaltransformer.com