



Chipsmall Limited consists of a professional team with an average of over 10 year of expertise in the distribution of electronic components. Based in Hongkong, we have already established firm and mutual-benefit business relationships with customers from,Europe,America and south Asia,supplying obsolete and hard-to-find components to meet their specific needs.

With the principle of “Quality Parts,Customers Priority,Honest Operation,and Considerate Service”,our business mainly focus on the distribution of electronic components. Line cards we deal with include Microchip,ALPS,ROHM,Xilinx,Pulse,ON,Everlight and Freescale. Main products comprise IC,Modules,Potentiometer,IC Socket,Relay,Connector.Our parts cover such applications as commercial,industrial, and automotives areas.

We are looking forward to setting up business relationship with you and hope to provide you with the best service and solution. Let us make a better world for our industry!



Contact us

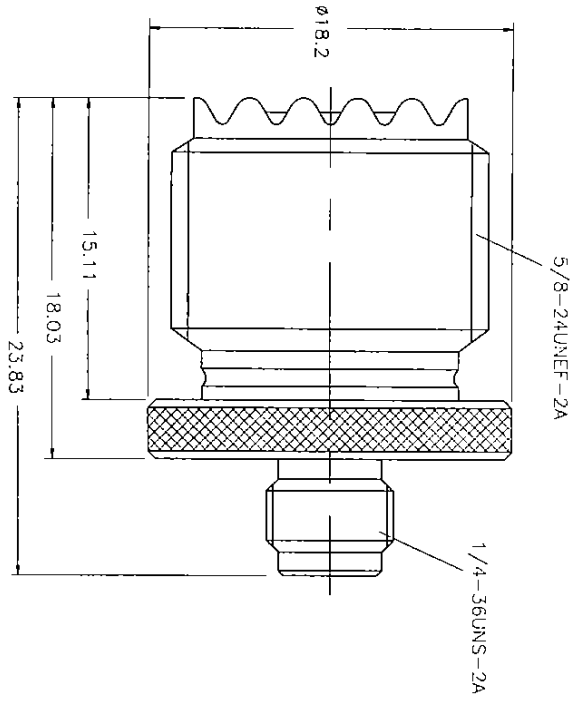
Tel: +86-755-8981 8866 Fax: +86-755-8427 6832


Email & Skype: info@chipsmall.com Web: www.chipsmall.com

Address: A1208, Overseas Decoration Building, #122 Zhenhua RD., Futian, Shenzhen, China



REV.	DATE	DESCRIPTION
NC	4/1/97	INITIAL RELEASE



DESCRIPTION	MATERIAL	FINISH	DIMENSIONS ARE IN MILLIMETERS UNLESS OTHERWISE SPECIFIED	APPROVALS	DATE	TITLE
1 BODY	BRASS	NICKEL	0.5-6 = ± 0.2	DRAWN G.R.S.	4/1/97	 SMA FEMALE TO UHF FEMALE ADAPTOR Connector Corporation SIZE 1 FREQ NO 99001 ENG NO 242111.DWG SCALE 4:1 PART NO 242111 SHEET 1 OF 1
2 CONTACT PIN	PHOS. BRONZE	GOLD	6-30 = ± 0.4	CHECKED		
3 INSULATOR	TEFLON	NATURAL	30-120 = ± 0.6	ISSUED		
			120-315 = ± 1			
			315-1000 = ± 1.6			
			1000-2000 = ± 2.4			

DO NOT SCALE DRAWING