



Chipsmall Limited consists of a professional team with an average of over 10 year of expertise in the distribution of electronic components. Based in Hongkong, we have already established firm and mutual-benefit business relationships with customers from,Europe,America and south Asia,supplying obsolete and hard-to-find components to meet their specific needs.

With the principle of "Quality Parts,Customers Priority,Honest Operation,and Considerate Service",our business mainly focus on the distribution of electronic components. Line cards we deal with include Microchip,ALPS,ROHM,Xilinx,Pulse,ON,Everlight and Freescale. Main products comprise IC,Modules,Potentiometer,IC Socket,Relay,Connector.Our parts cover such applications as commercial,industrial, and automotives areas.

We are looking forward to setting up business relationship with you and hope to provide you with the best service and solution. Let us make a better world for our industry!



Contact us

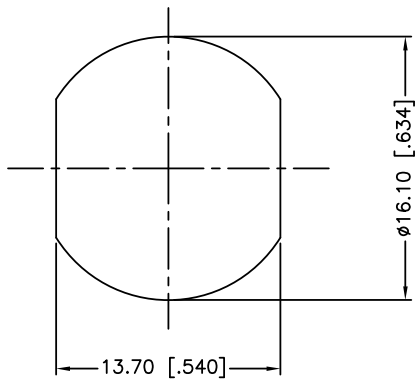
Tel: +86-755-8981 8866 Fax: +86-755-8427 6832

Email & Skype: info@chipsmall.com Web: www.chipsmall.com

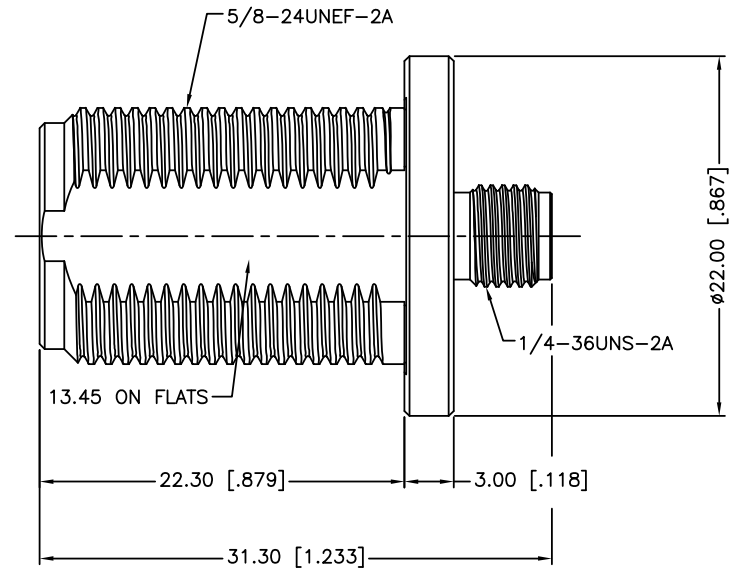
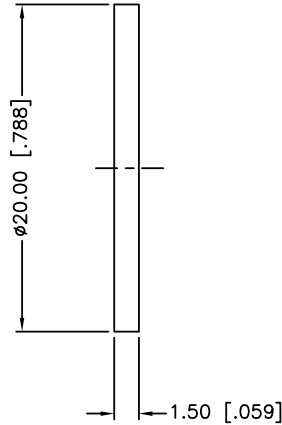
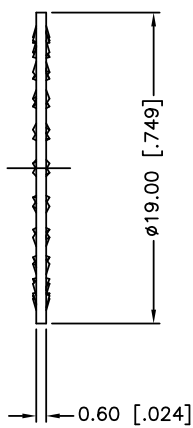
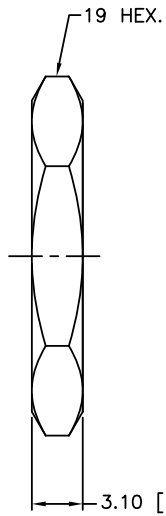
Address: A1208, Overseas Decoration Building, #122 Zhenhua RD., Futian, Shenzhen, China



REV.	DATE	ECR NO.	DESCRIPTION
NC	06/11/09	XXXXXX	INITIAL RELEASE



RECOMMENDED MOUNTING HOLE



1. SEALING REQUIREMENT: IP-68 MUST WITHSTAND 3' DEPTH OF WATER FOR ONE HOUR WITHOUT ANY SIGNS OF LEAKAGE
2. MAX. PANEL THICKNESS= 6.8mm

QTY	DESCRIPTION	MATERIAL	FINISH
1	HEX NUT	BRASS	NICKEL
1	LOCK WASHER	BRASS	NICKEL
1	GASKET	SILICONE	RED
1	HOUSING	BRASS	NICKEL
1	CONTACT PIN	BER. COPPER	GOLD
1	O-RING	SILICONE	RED
1	INSULATOR	PTFE	NATURAL
1	BODY	BRASS	NICKEL

UNLESS OTHERWISE SPECIFIED DIMENSIONS ARE IN MILLIMETERS, DIMENSIONS IN [] ARE IN INCHES AND FOR CUSTOMER REFERENCE ONLY.

UNLESS OTHERWISE SPECIFIED TOLERANCES FOR MILLIMETERS ARE:
0.5 - 8mm \pm 0.20mm
8 - 30mm \pm 0.40mm
30 - 120mm \pm 0.50mm

UNLESS OTHERWISE SPECIFIED TOLERANCES FOR INCHES ARE:
.020 - .315 = \pm 0.007"
.315 - 1.180 = \pm 0.015"
1.180 - 4.724 = \pm 0.020"

DO NOT SCALE DRAWING

APPROVALS	DATE
DRAWN M.ZHANG	06/11/09
CHECKED	
ISSUED	
SHEET 1 OF 1	
CAD FILE	
C:/CONNEX/242125-10.DWG	

Amphenol Connex			
PART DESCRIPTION			
N FEMALE TO SMA FEMALE BULKHEAD ADAPTOR (IP 68)			
PART NO.		242125-10	
DWG. NO.	242125-10.DWG	REV.	NC
SIZE	A	SCALE	NA