



Chipsmall Limited consists of a professional team with an average of over 10 year of expertise in the distribution of electronic components. Based in Hongkong, we have already established firm and mutual-benefit business relationships with customers from,Europe,America and south Asia,supplying obsolete and hard-to-find components to meet their specific needs.

With the principle of “Quality Parts,Customers Priority,Honest Operation,and Considerate Service”,our business mainly focus on the distribution of electronic components. Line cards we deal with include Microchip,ALPS,ROHM,Xilinx,Pulse,ON,Everlight and Freescale. Main products comprise IC,Modules,Potentiometer,IC Socket,Relay,Connector.Our parts cover such applications as commercial,industrial, and automotives areas.

We are looking forward to setting up business relationship with you and hope to provide you with the best service and solution. Let us make a better world for our industry!



Contact us

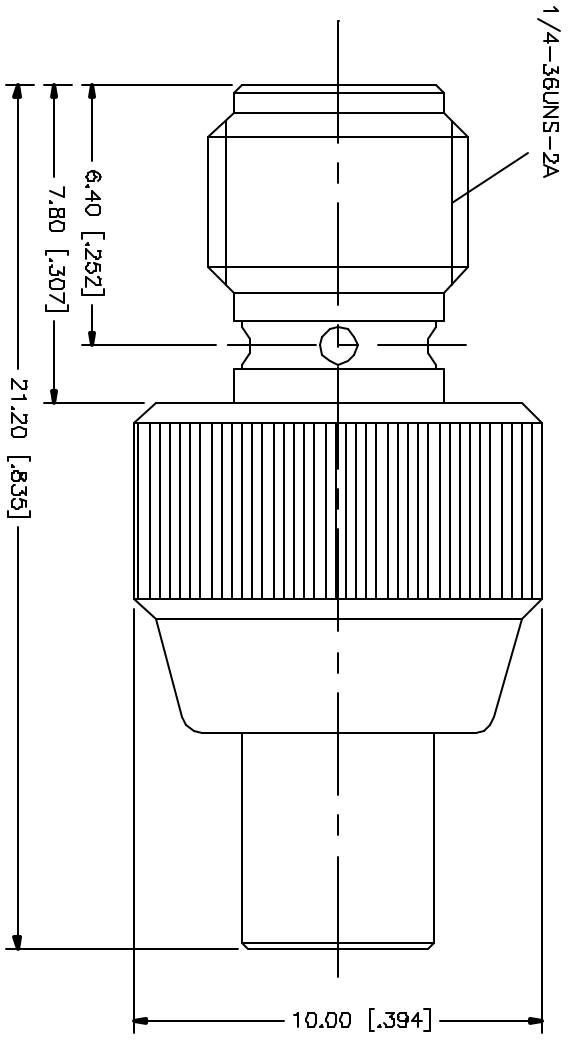
Tel: +86-755-8981 8866 Fax: +86-755-8427 6832

Email & Skype: info@chipsmall.com Web: www.chipsmall.com

Address: A1208, Overseas Decoration Building, #122 Zhenhua RD., Futian, Shenzhen, China



REV.	DATE	DESCRIPTION
A	03/27/05	UPDATE DRAWING FORMAT



REV.	DATE	DESCRIPTION	MATERIAL	FINISH	QTY
B					
7					
6					
5					
4					
3		CONTACT PIN	BER. COPPER	GOLD	1
2		INSULATOR	TEFLON	NATURAL	1
1		BODY	BRASS	GOLD	1
		DESCRIPTION			

UNLESS OTHERWISE SPECIFIED DIMENSIONS ARE IN MILLIMETERS (DIMENSIONS IN [] ARE IN INCHES AND FOR DIMENSIONS NOTED OTHERWISE ONLY.)	APPROVALS	DATE
UNLESS OTHERWISE SPECIFIED TOLERANCES FOR MILLIMETERS ARE: D.S. - 81mm ± 0.20mm B - 30mm ± 0.40mm 30 - 120mm ± 0.50mm	DRAWN G.R.S.	03/27/05
UNLESS OTHERWISE SPECIFIED TOLERANCES FOR INCHES ARE: .020 - .315 ± 0.007" .315 - 1.180 ± 0.015" 1.180 - 4.724 ± 0.020"	CHECKED	
DO NOT SCALE DRAWING	REVISED	
	SHEET 1 OF 1	

CAD FILE C:/242/242129.DWG	DWG. NO. 242129.DWG	REV. A	SIZE A	SCALE NA
-------------------------------	------------------------	--------	--------	----------

Amphenol Connex
PART DESCRIPTION SMA FEMALE TO MCX FEMALE ADAPTER
PART NO. 242129