



Chipsmall Limited consists of a professional team with an average of over 10 year of expertise in the distribution of electronic components. Based in Hongkong, we have already established firm and mutual-benefit business relationships with customers from,Europe,America and south Asia,supplying obsolete and hard-to-find components to meet their specific needs.

With the principle of “Quality Parts,Customers Priority,Honest Operation,and Considerate Service”,our business mainly focus on the distribution of electronic components. Line cards we deal with include Microchip,ALPS,ROHM,Xilinx,Pulse,ON,Everlight and Freescale. Main products comprise IC,Modules,Potentiometer,IC Socket,Relay,Connector.Our parts cover such applications as commercial,industrial, and automotives areas.

We are looking forward to setting up business relationship with you and hope to provide you with the best service and solution. Let us make a better world for our industry!



Contact us

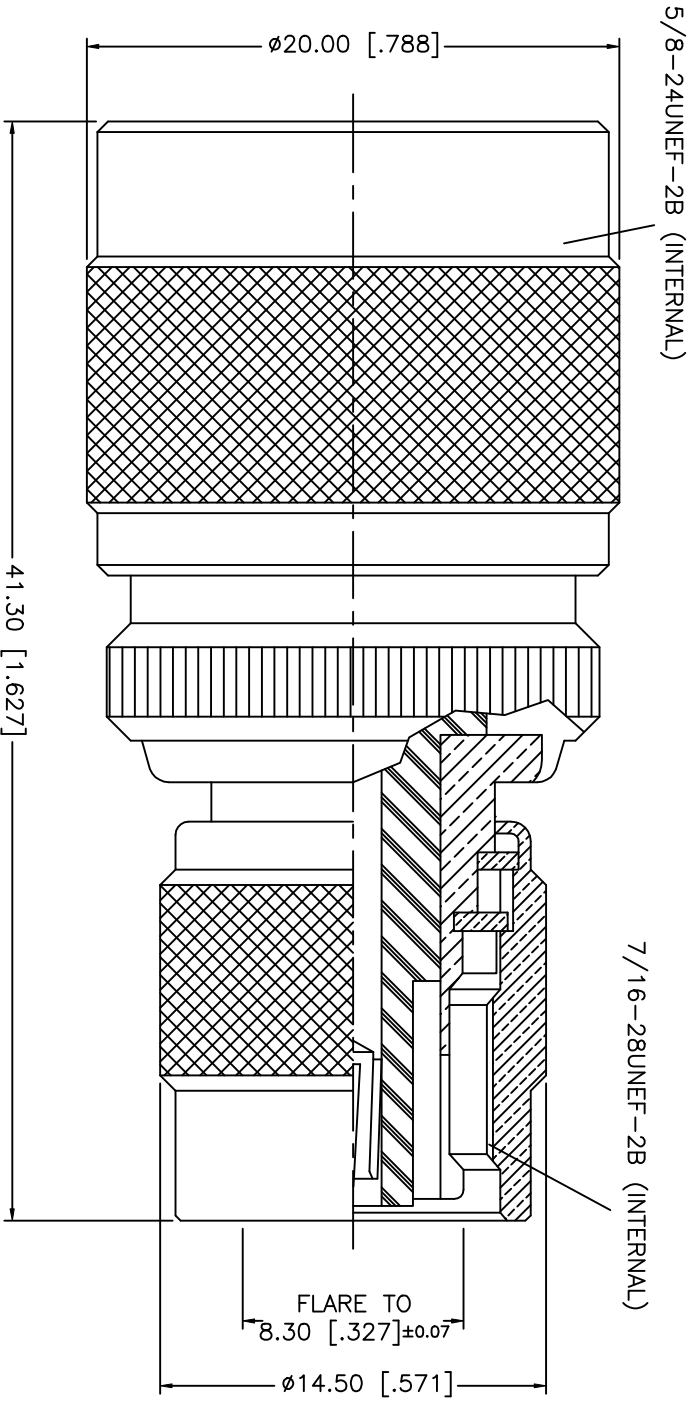
Tel: +86-755-8981 8866 Fax: +86-755-8427 6832

Email & Skype: info@chipsmall.com Web: www.chipsmall.com

Address: A1208, Overseas Decoration Building, #122 Zhenhua RD., Futian, Shenzhen, China



REV.	DATE	DESCRIPTION
NC	07/15/02	INITIAL RELEASE



8	DESCRIPTION	MATERIAL	FINISH
8			
7			
6	WASHER	BRASS	NICKEL
5	GASKET	RUBBER	RED
4	RETAINER RING	BER. COPPER	NATURAL
3	CONTACT PIN	PHOS. BRONZE	GOLD
2	INSULATOR	TEFLON	NATURAL
1	SHELL/BODY	BRASS	NICKEL
	DESCRIPTION	MATERIAL	FINISH

UNLESS OTHERWISE SPECIFIED DIMENSIONS ARE IN MILLIMETERS		APPROVALS		DATE	
DIMENSIONS IN [] ARE IN INCHES FOR CUSTOMER REFERENCE ONLY		DRAWN G.R.S.		07/15/02	
UNLESS OTHERWISE SPECIFIED TOLERANCES FOR INCHES ARE: .XXX = ± 0.005" .XX = ± 0.010" .X = ± 0.020"		CHECKED			
DO NOT SCALE DRAWING		ISSUED			

<p style="text-align: center;">Amphenol - Connex CONNECTOR CORPORATION</p> <p style="text-align: center;">TITLE N PLUG TO TNC REVERSE POLARITY PLUG ADAPTOR</p>					
SIZE	FSCM NO.	DWG. NO.	SCALE	PART NO.	SHEET
A	99001	242133RP.DWG	NA	242133RP	1 OF 1
REV.					NC