



Chipsmall Limited consists of a professional team with an average of over 10 year of expertise in the distribution of electronic components. Based in Hongkong, we have already established firm and mutual-benefit business relationships with customers from,Europe,America and south Asia,supplying obsolete and hard-to-find components to meet their specific needs.

With the principle of “Quality Parts,Customers Priority,Honest Operation,and Considerate Service”,our business mainly focus on the distribution of electronic components. Line cards we deal with include Microchip,ALPS,ROHM,Xilinx,Pulse,ON,Everlight and Freescale. Main products comprise IC,Modules,Potentiometer,IC Socket,Relay,Connector.Our parts cover such applications as commercial,industrial, and automotives areas.

We are looking forward to setting up business relationship with you and hope to provide you with the best service and solution. Let us make a better world for our industry!



## Contact us

Tel: +86-755-8981 8866 Fax: +86-755-8427 6832

Email & Skype: info@chipsmall.com Web: www.chipsmall.com

Address: A1208, Overseas Decoration Building, #122 Zhenhua RD., Futian, Shenzhen, China



NOTE:

- I. ELECTRIC PERFORMANCE  
 NOMINAL IMPEDANCE ( $\Omega$ ) : 50  
 FREQUENCY RANGE : DC-6GHz  
 VSWR :  $\leq 1.065$  (DC-3GHz)  
            $\leq 1.3$  (3-6GHz)  
 PIM(dBc): :  $\leq -160$  (2X43dBm)  
 INSERT LOSS (dB) :  $\leq 0.1$   
 INSULATION RESISTANCE ( $M\Omega$ ) :  $>5000$   
 PROOF VOLTAGE (V) : 2500  
 CONDUCTOR RESISTANCE ( $m\Omega$ ) : OUTER CONDUCTOR  $<0.2$   
   INNER CONDUCTOR  $<0.8$

II. MECHANICAL PERFORMANCE

MECHANICAL WEAR : 500

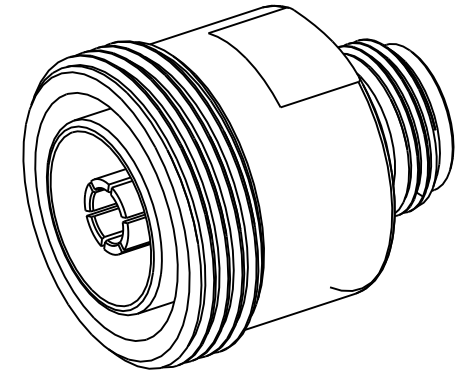
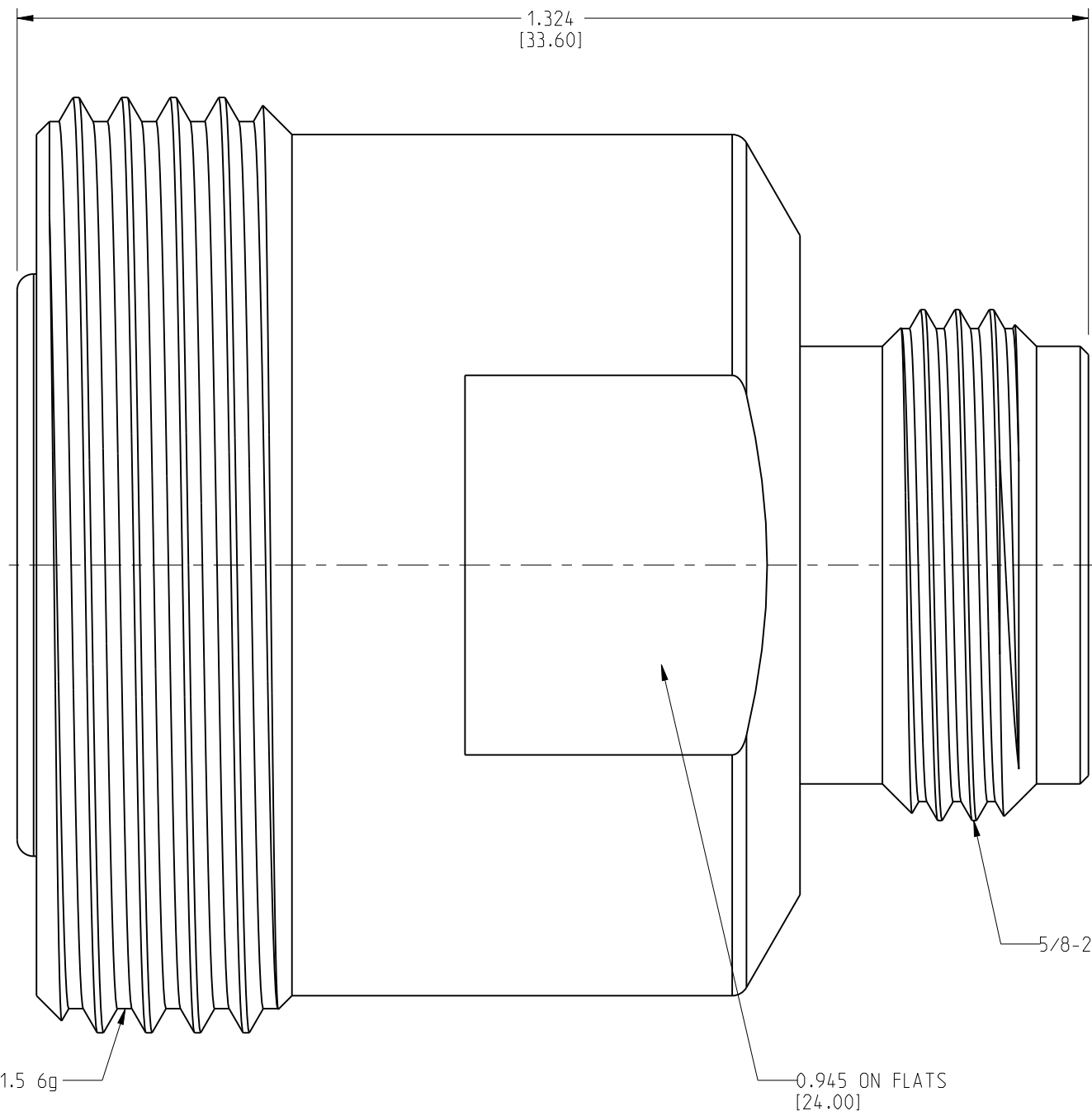
III. MATERIAL AND PLATING:

INNER CONDUCTOR : SPRING COPPER PLATING Ag5  $\mu$ m  
 OUTER CONDUCTOR : BRASS PLATING COPPER-TIN-ZINC 2  $\mu$ m  
 INSULATOR : PTFE

IV. ENVIRONMENT

TEMP RANGE :  $-55^{\circ}C$  TO  $+155^{\circ}C$   
 WATERPROOF STANDARD IP67  
 ROHS COMPLIANT

242137		REVISIONS			
DRAWING NO.	REV	DESCRIPTION	DATE	ECO	APPR
THIRD ANGLE PROJ.	NC	INITIAL RELEASE	13-Jun-99	--	
	A	UPDATE DRAWING FORMAT / MODIFY PLATING SPEC	22-May-05	--	
	B	REVISE BODY DESIGN	31-Mar-09	--	
	C	ADDED NOTES , ISOMETRIC VIEW & LOW PIM ADDED IN DESCRIPTION	01-Oct-12	2386	KR



SCALE 1.500

3	INSULATOR	PTFE	NATURAL	1
2	INNER CONDUCTOR	SPRING COPPER	SILVER	1
1	OUTER CONDUCTOR	BRASS	WHITE BRONZE	1
NO	DESCRIPTION	MATERIAL	FINISH	QTY

UNLESS OTHERWISE SPECIFIED, DIMENSIONS ARE IN INCHES AND TOLERANCES ARE: 2 PLACE DECIMAL $\pm 0.015$ (0,381 mm) 3 PLACE DECIMAL $\pm 0.005$ (0,127 mm) ANGLES $\pm 1^{\circ}$	MATERIAL	DRAWN KARTHIK R	DATE 01-Oct-12	TITLE 7/16 FEMALE TO N FEMALE ADAPTER, LOW PIM	Amphenol Connex	
	REFERENCE	ENGINEER KARTHIK R	DATE 01-Oct-12			
NOTICE - These drawings, specifications, or other data (1) are, and remain the property of Amphenol Corp. (2) must be returned upon request; and (3) are confidential and not to be disclosed to any person other than those to whom they are given by Amphenol Corp. The furnishing of these drawings, specifications, or other data by Amphenol Corp., or to any other person to anyone for any purpose is not to be regarded by implication or otherwise in any manner licensing, granting rights or permitting such holder or any other person to manufacture, use or sell any product, process or design, patented or otherwise, that may in any way be related to or disclosed by said drawings, specifications, or other data.		APPROVED	DATE		SCALE: 5.2:1	SHEET 1 OF 1
		CAD FILE			DWG SIZE B	DRAWING NO. 242137