



Chipsmall Limited consists of a professional team with an average of over 10 year of expertise in the distribution of electronic components. Based in Hongkong, we have already established firm and mutual-benefit business relationships with customers from,Europe,America and south Asia,supplying obsolete and hard-to-find components to meet their specific needs.

With the principle of “Quality Parts,Customers Priority,Honest Operation,and Considerate Service”,our business mainly focus on the distribution of electronic components. Line cards we deal with include Microchip,ALPS,ROHM,Xilinx,Pulse,ON,Everlight and Freescale. Main products comprise IC,Modules,Potentiometer,IC Socket,Relay,Connector.Our parts cover such applications as commercial,industrial, and automotives areas.

We are looking forward to setting up business relationship with you and hope to provide you with the best service and solution. Let us make a better world for our industry!



Contact us

Tel: +86-755-8981 8866 Fax: +86-755-8427 6832

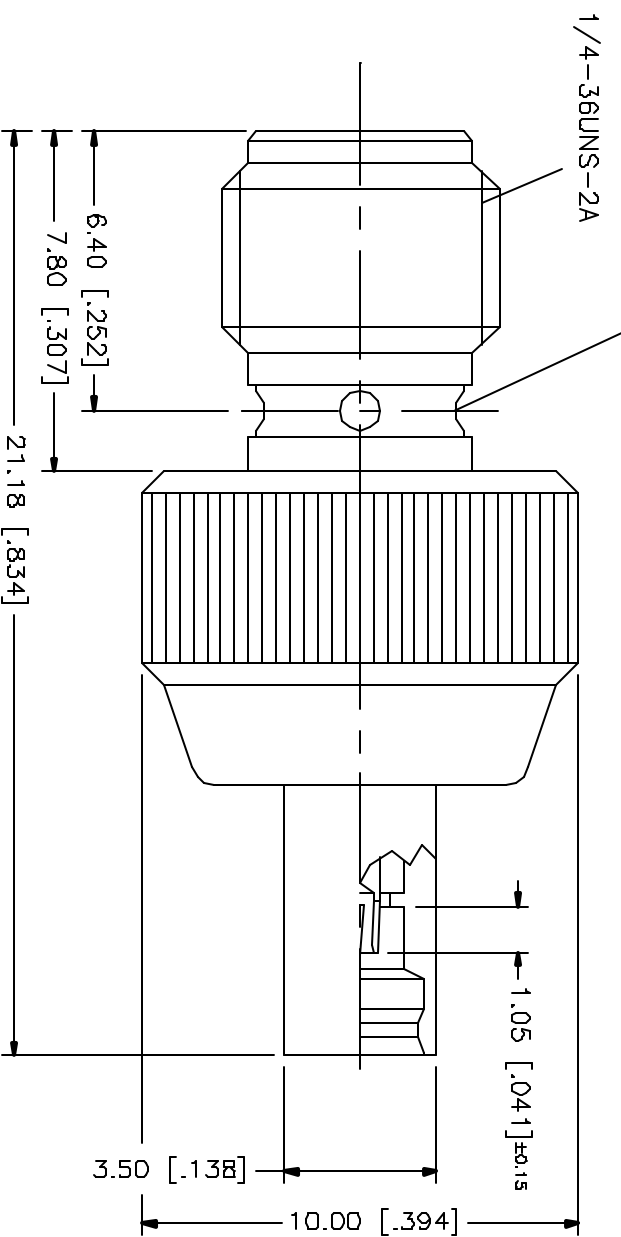
Email & Skype: info@chipsmall.com Web: www.chipsmall.com

Address: A1208, Overseas Decoration Building, #122 Zhenhua RD., Futian, Shenzhen, China



REV.	DATE	DESCRIPTION
A	03/27/05	UPDATE DRAWING FORMAT

STAKE IN 4 PLACES
EQUALLY SPACED 90° APART



REV.	DATE	DESCRIPTION
B		
7		
6		
5		
4		
3		
2		
1		

DESCRIPTION	MATERIAL	FINISH	QTY
CONTACT PIN	BER. COPPER	BOLD	1
INSULATOR BODY	TEFLON BRASS	NATURAL GOLD	1

UNLESS OTHERWISE SPECIFIED, DIMENSIONS ARE IN MILLIMETERS, INDICATORS IN [] ARE IN INCHES AND FOR CUSTOMER REFERENCE ONLY.
UNLESS OTHERWISE SPECIFIED, DIMENSIONS ARE IN MILLIMETERS, INDICATORS IN [] ARE IN INCHES AND FOR CUSTOMER REFERENCE ONLY.
UNLESS OTHERWISE SPECIFIED, DIMENSIONS ARE IN MILLIMETERS, INDICATORS IN [] ARE IN INCHES AND FOR CUSTOMER REFERENCE ONLY.
UNLESS OTHERWISE SPECIFIED, DIMENSIONS ARE IN MILLIMETERS, INDICATORS IN [] ARE IN INCHES AND FOR CUSTOMER REFERENCE ONLY.
UNLESS OTHERWISE SPECIFIED, DIMENSIONS ARE IN MILLIMETERS, INDICATORS IN [] ARE IN INCHES AND FOR CUSTOMER REFERENCE ONLY.

APPROVALS	DATE
DRAWN G.R.S.	03/27/05
CHECKED	
ISSUED	
SHEET 1 OF 1	

CAD FILE C:/242/242143.DWG	DWG. NO. 242143.DWG	REV. A	SIZE A	SCALE NA
----------------------------	---------------------	--------	--------	----------

Amphenol Connex

SMA JACK TO MGCX JACK ADAPTER

242143