



Chipsmall Limited consists of a professional team with an average of over 10 year of expertise in the distribution of electronic components. Based in Hongkong, we have already established firm and mutual-benefit business relationships with customers from,Europe,America and south Asia,supplying obsolete and hard-to-find components to meet their specific needs.

With the principle of “Quality Parts,Customers Priority,Honest Operation,and Considerate Service”,our business mainly focus on the distribution of electronic components. Line cards we deal with include Microchip,ALPS,ROHM,Xilinx,Pulse,ON,Everlight and Freescale. Main products comprise IC,Modules,Potentiometer,IC Socket,Relay,Connector.Our parts cover such applications as commercial,industrial, and automotives areas.

We are looking forward to setting up business relationship with you and hope to provide you with the best service and solution. Let us make a better world for our industry!



Contact us

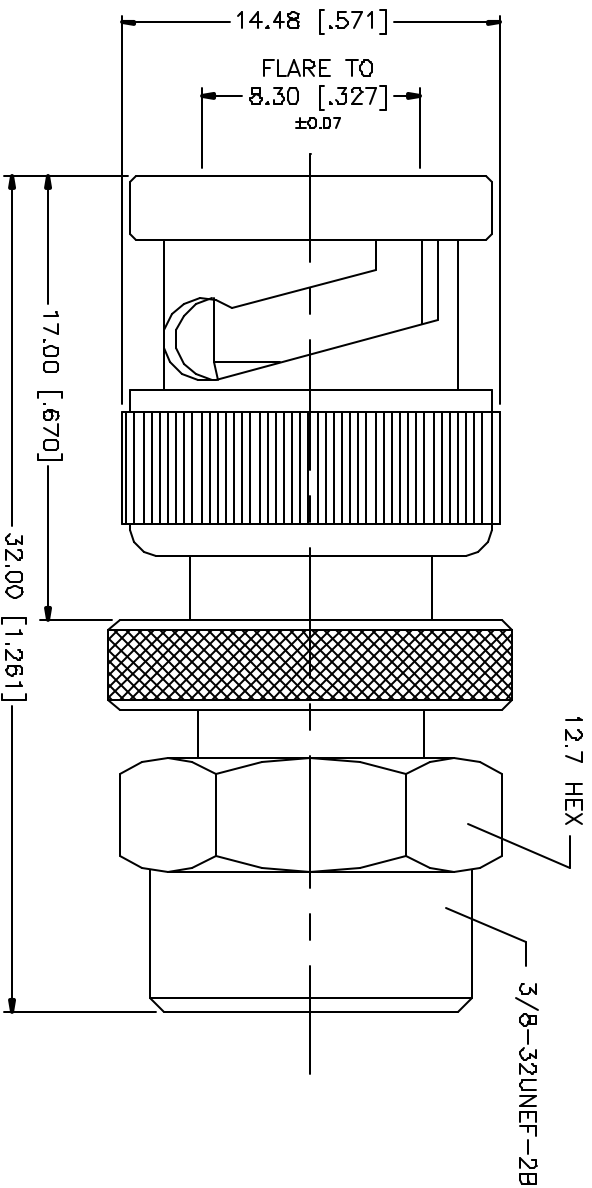
Tel: +86-755-8981 8866 Fax: +86-755-8427 6832

Email & Skype: info@chipsmall.com Web: www.chipsmall.com

Address: A1208, Overseas Decoration Building, #122 Zhenhua RD., Futian, Shenzhen, China



REV.	DATE	DESCRIPTION
NC	11/10/04	INITIAL RELEASE



QTY	FINISH	MATERIAL	DESCRIPTION
1	NICKEL	BRASS	BODY
1	NATURAL	BRASS	CONTACT PIN
1	NATURAL	TEFLON	INSULATOR
1	NICKEL	BRASS	BODY

APPROVALS	DATE	DWG. NO.	REV.	SIZE	SCALE
G.R.S.	11/10/04	242160.DWG	A	A	NA

AMPHENOL CONNEX
Amphenol Connex
PART DESCRIPTION
BNC PLUG TO F PLUG ADAPTER
PART NO. 242160

UNITS: DIMENSIONS SHOWN	UNITS: DIMENSIONS SHOWN
IN MILLIMETERS UNLESS NOTED OTHERWISE	IN MILLIMETERS UNLESS NOTED OTHERWISE
INCHES AND THE DIMENSION INDICATED SHALL.	INCHES AND THE DIMENSION INDICATED SHALL.
UNLESS OTHERWISE SPECIFIED	UNLESS OTHERWISE SPECIFIED
TOLERANCES FOR HOLE DIA	TOLERANCES FOR HOLE DIA
0.5 - 8mm ± 0.20mm	0.5 - 8mm ± 0.20mm
B - 8mm ± 0.40mm	B - 8mm ± 0.40mm
30 - 120mm ± 0.50mm	30 - 120mm ± 0.50mm
UNLESS OTHERWISE SPECIFIED	UNLESS OTHERWISE SPECIFIED
TOLERANCES FOR HOLE DIA	TOLERANCES FOR HOLE DIA
0.20 - 0.315 = ± 0.007"	0.20 - 0.315 = ± 0.007"
0.315 - 1.180 = ± 0.015"	0.315 - 1.180 = ± 0.015"
1.180 - 4.724 = ± 0.020"	1.180 - 4.724 = ± 0.020"

APPROVALS	DATE	DWG. NO.	REV.	SIZE	SCALE
G.R.S.	11/10/04	242160.DWG	A	A	NA

AMPHENOL CONNEX
Amphenol Connex
PART DESCRIPTION
BNC PLUG TO F PLUG ADAPTER
PART NO. 242160