



Chipsmall Limited consists of a professional team with an average of over 10 year of expertise in the distribution of electronic components. Based in Hongkong, we have already established firm and mutual-benefit business relationships with customers from,Europe,America and south Asia,supplying obsolete and hard-to-find components to meet their specific needs.

With the principle of “Quality Parts,Customers Priority,Honest Operation,and Considerate Service”,our business mainly focus on the distribution of electronic components. Line cards we deal with include Microchip,ALPS,ROHM,Xilinx,Pulse,ON,Everlight and Freescale. Main products comprise IC,Modules,Potentiometer,IC Socket,Relay,Connector.Our parts cover such applications as commercial,industrial, and automotives areas.

We are looking forward to setting up business relationship with you and hope to provide you with the best service and solution. Let us make a better world for our industry!



Contact us

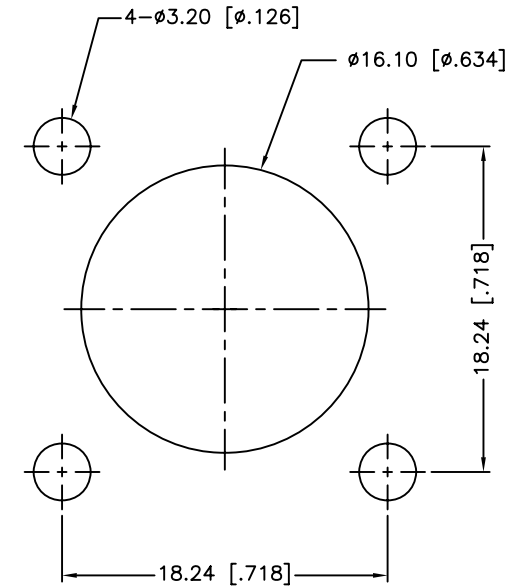
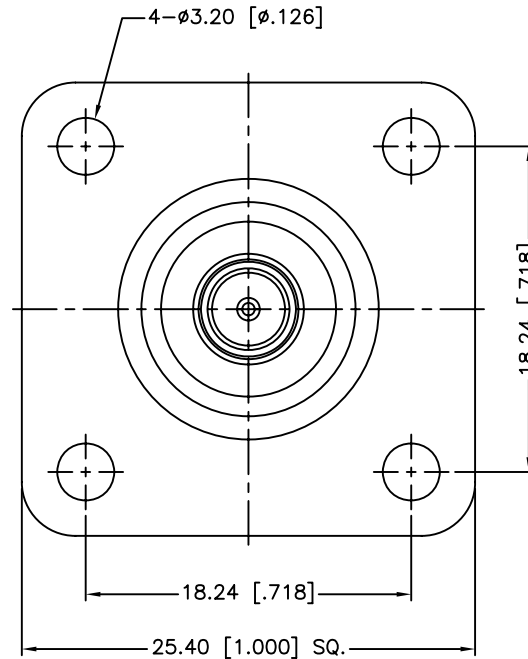
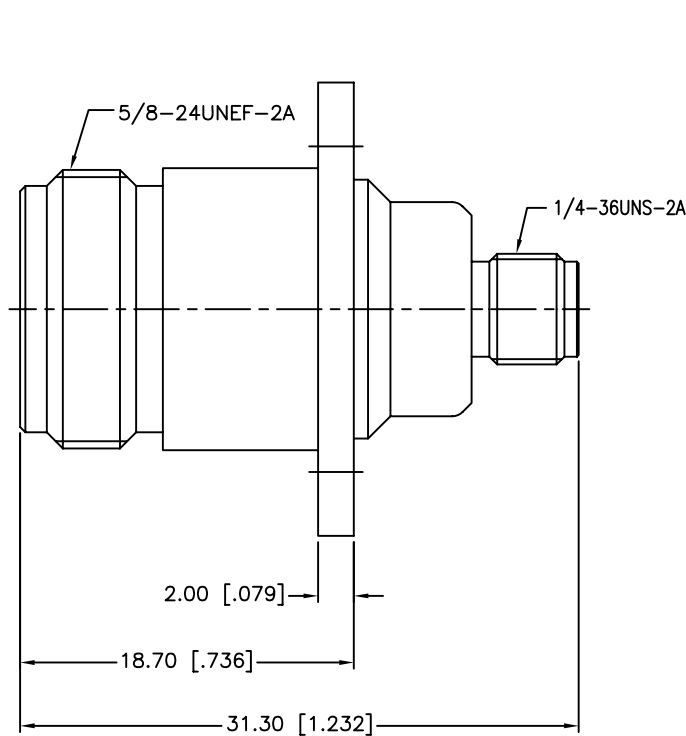
Tel: +86-755-8981 8866 Fax: +86-755-8427 6832

Email & Skype: info@chipsmall.com Web: www.chipsmall.com

Address: A1208, Overseas Decoration Building, #122 Zhenhua RD., Futian, Shenzhen, China



REV.	DATE	ECR NO.	DESCRIPTION
NC	09/22/02	XXXXXX	INITIAL RELEASE
A	11/29/11	2260	ADD NOTES
B	12/21/11	2268	ADD RECOMMENDED PANEL CUTOUT



RECOMMENDED
PANEL CUTOUT

1. IMPEDANCE:50 OHM
2. FREQUENCY RANGE: 0-11 GHz
3. DIELECTRIC WITHSTANDING VOLTAGE:1000 VRMS. MIN.
4. DURABILITY:500 CYCLES MIN.
5. TEMPERATURE RANGE:-65°C TO +165°C
6. CONTACT PIN MUST WITHSTAND 6 LBS. MIN. PULL FORCES.

QTY	DESCRIPTION	MATERIAL	FINISH
4	BODY	BRASS	NICKEL
3	CONTACT PIN	PHOSPHOR BRONZE	GOLD
2	INSULATOR	PTFE	NATURAL
1	BODY WITH PANEL	BRASS	NICKEL

UNLESS OTHERWISE SPECIFIED DIMENSIONS ARE IN MILLIMETERS. DIMENSIONS IN [] ARE IN INCHES AND FOR CUSTOMER REFERENCE ONLY.

UNLESS OTHERWISE SPECIFIED TOLERANCES FOR MILLIMETERS ARE:
0.5 - 8mm ± 0.20mm
8 - 30mm ± 0.40mm
30 - 120mm ± 0.50mm

UNLESS OTHERWISE SPECIFIED TOLERANCES FOR INCHES ARE:
.020 - .315 = ± 0.007"
.315 - 1.180 = ± 0.015"
1.180 - 4.724 = ± 0.020"

DO NOT SCALE DRAWING

APPROVALS	DATE
DRAWN M.ZHANG	12/21/11
CHECKED	
ISSUED	
SHEET 1 OF 1	
CAD FILE C:/CONNEX/242163.DWG	

Amphenol Connex

PART DESCRIPTION			
N JACK TO SMA JACK PANEL ADAPTER			
PART NO.		242163	
DWG. NO.	242163.DWG	REV.	B
SIZE	A	SCALE	NA