



Chipsmall Limited consists of a professional team with an average of over 10 year of expertise in the distribution of electronic components. Based in Hongkong, we have already established firm and mutual-benefit business relationships with customers from,Europe,America and south Asia,supplying obsolete and hard-to-find components to meet their specific needs.

With the principle of “Quality Parts,Customers Priority,Honest Operation,and Considerate Service”,our business mainly focus on the distribution of electronic components. Line cards we deal with include Microchip,ALPS,ROHM,Xilinx,Pulse,ON,Everlight and Freescale. Main products comprise IC,Modules,Potentiometer,IC Socket,Relay,Connector.Our parts cover such applications as commercial,industrial, and automotives areas.

We are looking forward to setting up business relationship with you and hope to provide you with the best service and solution. Let us make a better world for our industry!



Contact us

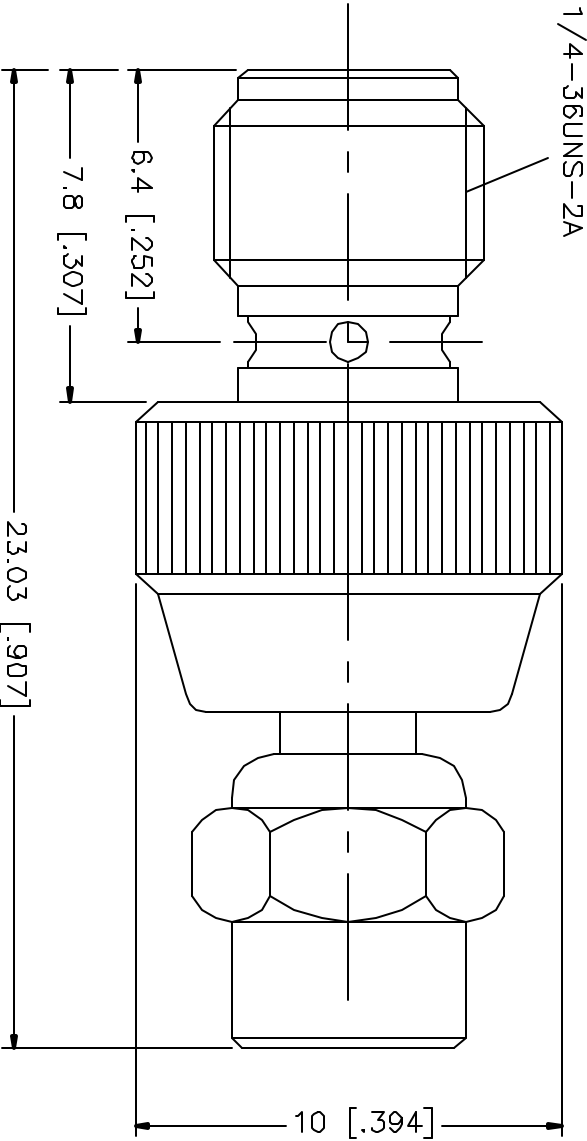
Tel: +86-755-8981 8866 Fax: +86-755-8427 6832

Email & Skype: info@chipsmall.com Web: www.chipsmall.com

Address: A1208, Overseas Decoration Building, #122 Zhenhua RD., Futian, Shenzhen, China



REV.	DATE	DESCRIPTION
NC	10/31/01	INITIAL RELEASE



8				UNLESS OTHERWISE SPECIFIED DIMENSIONS ARE IN MILLIMETERS	APPROVALS	DATE	comnex Connector Corporation SMA JACK TO SMC PLUG ADAPTOR			
7				DIMENSIONS IN [] ARE IN INCHES FOR CUSTOMER REFERENCE ONLY	DRAWN	10/31/01				
6				UNLESS OTHERWISE SPECIFIED TOLERANCES FOR MILLIMETERS ARE	CHECKED					
5				0.5-6 = ± 0.2	ISSUED					
4				6-30 = ± 0.4						
3	CONTACT PIN	BER COPPER	GOLD	30-120 = ± 0.6						
2	INSULATOR	TEFLON	NATURAL	120-315 = ± 1						
1	BODY	BRASS	GOLD	315-1000 = ± 1.6			SIZE	FSQM NO	DWG NO	REV.
	DESCRIPTION	MATERIAL	FINISH	1000-2000 = ± 2.4			A	99001	242175.DWG	NC
				DO NOT SCALE DRAWING			SCALE	NA	PART NO.	SHEET
								242175	1 OF 1	