



Chipsmall Limited consists of a professional team with an average of over 10 year of expertise in the distribution of electronic components. Based in Hongkong, we have already established firm and mutual-benefit business relationships with customers from,Europe,America and south Asia,supplying obsolete and hard-to-find components to meet their specific needs.

With the principle of "Quality Parts,Customers Priority,Honest Operation,and Considerate Service",our business mainly focus on the distribution of electronic components. Line cards we deal with include Microchip,ALPS,ROHM,Xilinx,Pulse,ON,Everlight and Freescale. Main products comprise IC,Modules,Potentiometer,IC Socket,Relay,Connector.Our parts cover such applications as commercial,industrial, and automotives areas.

We are looking forward to setting up business relationship with you and hope to provide you with the best service and solution. Let us make a better world for our industry!



## Contact us

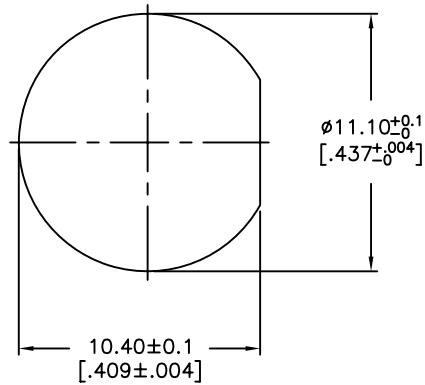
Tel: +86-755-8981 8866 Fax: +86-755-8427 6832

Email & Skype: info@chipsmall.com Web: www.chipsmall.com

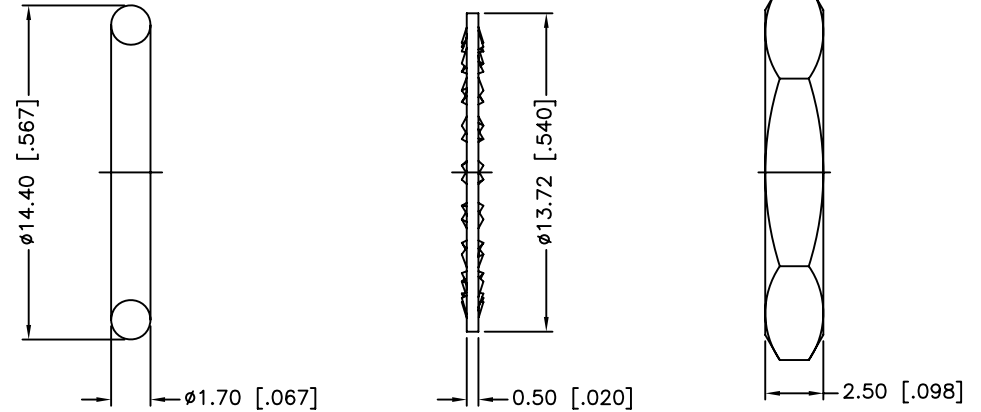
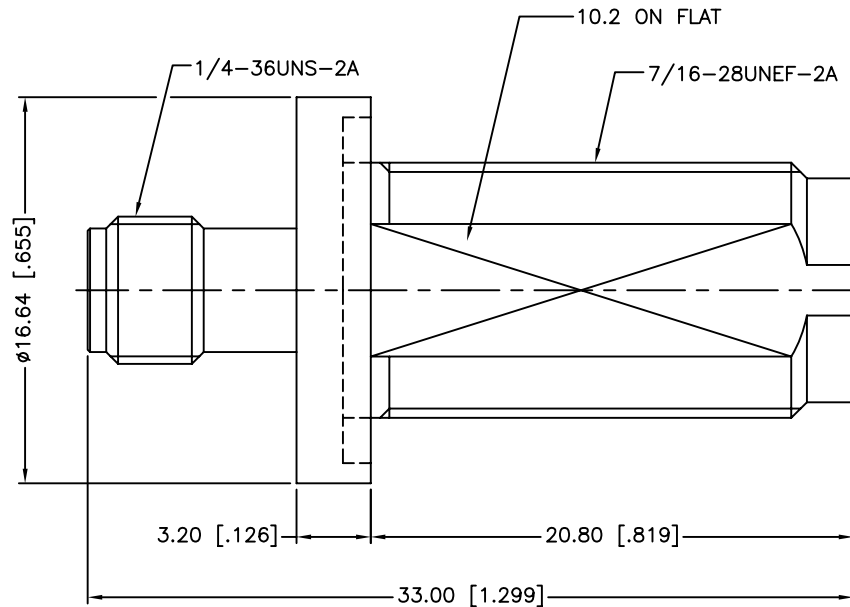
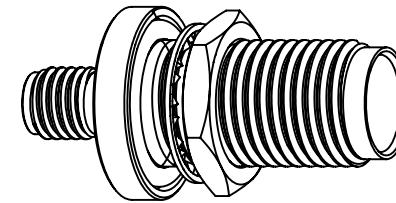
Address: A1208, Overseas Decoration Building, #122 Zhenhua RD., Futian, Shenzhen, China



REV.	DATE	ECR NO.	DESCRIPTION
NC	07/21/11	XXXXXX	INITIAL RELEASE
A	02/24/14	2701	ADD IP-67/68 TESTING DETAILS, UPDATED DRAWING FORMAT



RECOMMENDED MOUNTING HOLE



1. IMPEDANCE: 50 OHM
2. FREQUENCY RANGE: 0-11 GHZ
3. DIELECTRIC WITHSTANDING VOLTAGE: 1000 VRMS, MIN.
4. DURABILITY: 500 CYCLES MIN.
5. TEMPERATURE RANGE: -65°C TO +165°C
6. SEALING REQUIREMENT: IP-68 MUST WITHSTAND 3M SUBMERSION TEST FOR 24 HOURS WITHOUT ANY SIGNS OF LEAKAGE
7. MAX. PANEL THICKNESS=7.6 MM

8	HEX NUT	BRASS	NICKEL	1
7	LOCK WASHER	PHOSPHOR BRONZE	NICKEL	1
6	GASKET	SILICONE RUBBER	RED	1
5	RETAINING RING	BRASS	NICKEL	1
4	CONTACT PIN	BER. COPPER	GOLD	1
3	O-RING	SILICONE RUBBER	RED	1
2	INSULATOR	PTFE	NATURAL	1
1	BODY	BRASS	NICKEL	1
	DESCRIPTION	MATERIAL	FINISH	QTY

UNLESS OTHERWISE SPECIFIED DIMENSIONS ARE IN MILLIMETERS. DIMENSIONS IN [ ] ARE IN INCHES AND FOR CUSTOMER REFERENCE ONLY.  
 UNLESS OTHERWISE SPECIFIED  
 TOLERANCES FOR MILLIMETERS ARE:  
 <math><0.5 \pm 0.05\text{mm}</math>  
 <math>0.5 - 6\text{mm} \pm 0.10\text{mm}</math>  
 <math>6 - 30\text{mm} \pm 0.20\text{mm}</math>  
 <math>30 - 120\text{mm} \pm 0.30\text{mm}</math>  
 ANGLES  $\pm 1^\circ$   
 UNLESS OTHERWISE SPECIFIED  
 TOLERANCES FOR INCHES ARE:  
 <math><.020 \pm 0.002''</math>  
 <math>.020 - .236 \pm 0.004''</math>  
 <math>.236 - 1.180 \pm 0.007''</math>  
 <math>1.180 - 4.724 \pm 0.012''</math>  
 ANGLES  $\pm 1^\circ$   
 DO NOT SCALE DRAWING

APPROVALS	DATE
DRAWN M.ZHANG	02/24/14
CHECKED	
ISSUED	
SHEET 1 OF 1	
CAD FILE	
C:/CONNEX/242178-10.DWG	

<b>Amphenol Connex</b>			
PART DESCRIPTION			
SMA FEMALE TO TNC BULKHEAD FEMALE ADAPTOR, IP-68 COMPLIANT			
PART NO.			
242178-10			
DWG. NO.	242178-10.DWG	REV.	A
SIZE	A	SCALE	NA