



Chipsmall Limited consists of a professional team with an average of over 10 year of expertise in the distribution of electronic components. Based in Hongkong, we have already established firm and mutual-benefit business relationships with customers from,Europe,America and south Asia,supplying obsolete and hard-to-find components to meet their specific needs.

With the principle of “Quality Parts,Customers Priority,Honest Operation,and Considerate Service”,our business mainly focus on the distribution of electronic components. Line cards we deal with include Microchip,ALPS,ROHM,Xilinx,Pulse,ON,Everlight and Freescale. Main products comprise IC,Modules,Potentiometer,IC Socket,Relay,Connector.Our parts cover such applications as commercial,industrial, and automotives areas.

We are looking forward to setting up business relationship with you and hope to provide you with the best service and solution. Let us make a better world for our industry!



Contact us

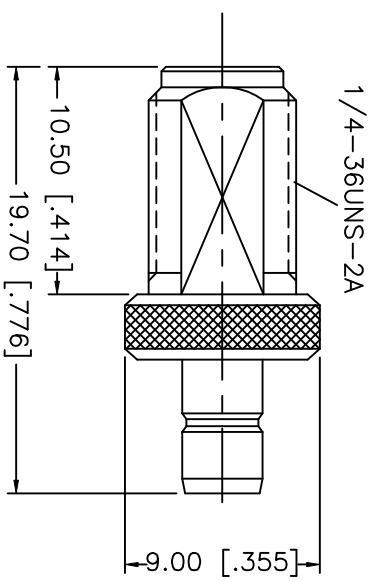
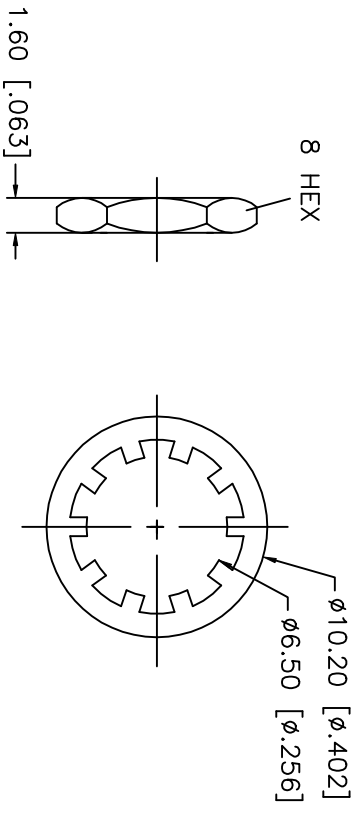
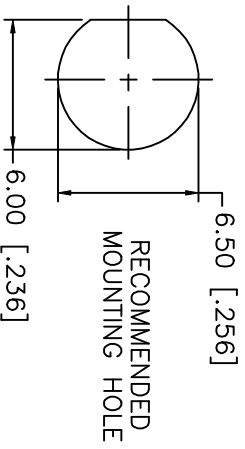
Tel: +86-755-8981 8866 Fax: +86-755-8427 6832

Email & Skype: info@chipsmall.com Web: www.chipsmall.com

Address: A1208, Overseas Decoration Building, #122 Zhenhua RD., Futian, Shenzhen, China



REV.	DATE	DESCRIPTION
NC	08/28/02	INITIAL RELEASE



NOTE:
1. MAX. PANEL THICKNESS = 2.4mm

8				UNLESS OTHERWISE SPECIFIED DIMENSIONS ARE IN MILLIMETERS	APPROVALS	DATE	TITLE			
7				DIMENSIONS IN [] ARE IN INCHES FOR CUSTOMER REFERENCE ONLY	DRAWN	08/28/02	Amphenol - Connex CONNECTOR CORPORATION SMA BULKHEAD JACK TO SMB JACK ADAPTOR			
6				UNLESS OTHERWISE SPECIFIED TOLERANCES FOR INCHES ARE: .XXX = ± 0.005" .XX = ± 0.010" .X = ± 0.020"	CHECKED					
5	HEX NUT	BRASS	GOLD	DO NOT SCALE DRAWING	ISSUED					
4	LOCK WASHER	BRASS	GOLD				SIZE	FSCM NO.	DWG. NO.	REV.
3	CONTACT PIN	BER. COPPER	GOLD				A	99001	242182.DWG	NC
2	INSULATOR	TEFLON	NATURAL				SCALE	PART NO.	SHEET	
1	BODY	BRASS	GOLD				NA	242182	1 OF 1	
	DESCRIPTION	MATERIAL	FINISH							