



Chipsmall Limited consists of a professional team with an average of over 10 year of expertise in the distribution of electronic components. Based in Hongkong, we have already established firm and mutual-benefit business relationships with customers from,Europe,America and south Asia,supplying obsolete and hard-to-find components to meet their specific needs.

With the principle of “Quality Parts,Customers Priority,Honest Operation,and Considerate Service”,our business mainly focus on the distribution of electronic components. Line cards we deal with include Microchip,ALPS,ROHM,Xilinx,Pulse,ON,Everlight and Freescale. Main products comprise IC,Modules,Potentiometer,IC Socket,Relay,Connector.Our parts cover such applications as commercial,industrial, and automotives areas.

We are looking forward to setting up business relationship with you and hope to provide you with the best service and solution. Let us make a better world for our industry!



## Contact us

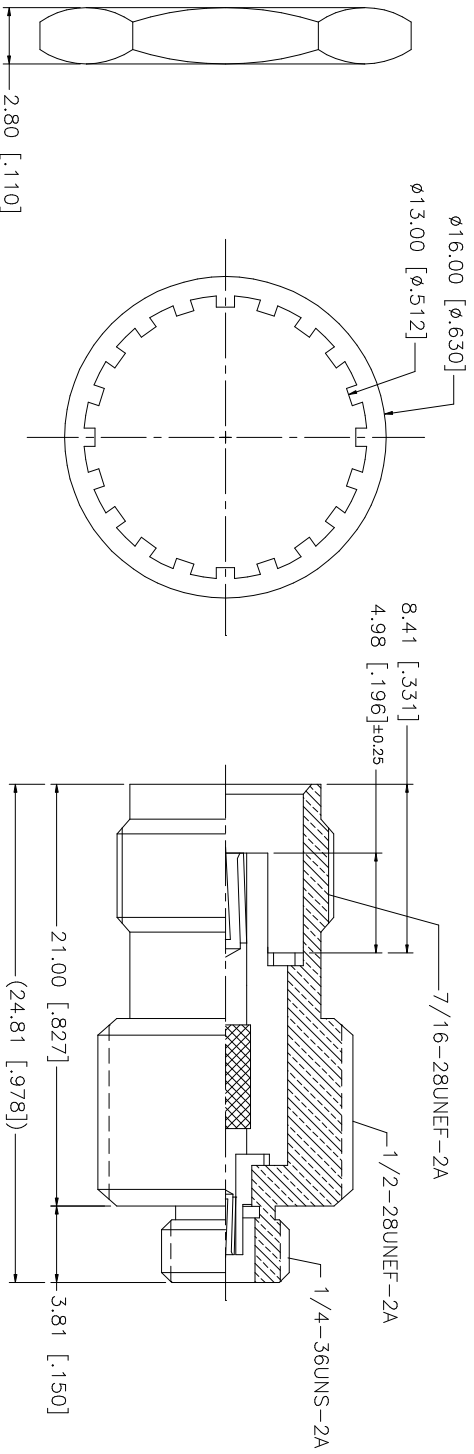
Tel: +86-755-8981 8866 Fax: +86-755-8427 6832

Email & Skype: info@chipsmall.com Web: www.chipsmall.com

Address: A1208, Overseas Decoration Building, #122 Zhenhua RD., Futian, Shenzhen, China



REV.	DATE	DESCRIPTION
A	12/05/02	ADD 1/4-36UNS-2A MATING FACE
B	01/29/03	MODIFY OVERALL BODY DIMENSIONS
C	03/18/04	ADD LOCK RING DIMENSION



NOTES:

1. MAX. PANEL THICKNESS = 6.5mm

NO.	DESCRIPTION	MATERIAL	FINISH	QTY	UNLESS OTHERWISE SPECIFIED DIMENSIONS ARE IN INCHES AND FOR CUSTOMER REFERENCE ONLY. TOLERANCES FOR MILLIMETERS ARE: 0.5 - 8mm ± 0.20mm 8 - 30mm ± 0.40mm 30 - 120mm ± 0.50mm UNLESS OTHERWISE SPECIFIED DIMENSIONS FOR INCHES ARE: .020 - .315 = ± 0.007" .315 - 1.180 = ± 0.015" 1.180 - 4.724 = ± 0.020"	APPROVALS	DATE	PART DESCRIPTION							
8								<p style="text-align: center;"><b>Amphenol Connex</b></p> <p style="text-align: center;">PART DESCRIPTION</p> <p style="text-align: center;"><b>TNC BULKHEAD JACK TO MCX JACK ADAPTER</b></p> <p>PART NO. <span style="float: right;">242190</span></p>							
7	LOCK RING	BRASS	NICKEL	1		DRAWN	G.R.S.		03/18/04						
6	HEX NUT	BRASS	NICKEL	1		CHECKED									
5	LOCK WASHER	BRASS	NICKEL	1		ISSUED									
4	INSULATOR	TEFLON	NATURAL	1		SHEET	1 OF 1								
3	CONTACT PIN	BER. COPPER	GOLD	1											
2	BODY	BRASS	GOLD	1											
1	DESCRIPTION	MATERIAL	FINISH	QTY	DO NOT SCALE DRAWING	CAD FILE	C:/242/242190.DWG		DWG. NO.	242190.DWG	REV.	C	SIZE	A	SCALE