



Chipsmall Limited consists of a professional team with an average of over 10 year of expertise in the distribution of electronic components. Based in Hongkong, we have already established firm and mutual-benefit business relationships with customers from,Europe,America and south Asia,supplying obsolete and hard-to-find components to meet their specific needs.

With the principle of "Quality Parts,Customers Priority,Honest Operation,and Considerate Service",our business mainly focus on the distribution of electronic components. Line cards we deal with include Microchip,ALPS,ROHM,Xilinx,Pulse,ON,Everlight and Freescale. Main products comprise IC,Modules,Potentiometer,IC Socket,Relay,Connector.Our parts cover such applications as commercial,industrial, and automotives areas.

We are looking forward to setting up business relationship with you and hope to provide you with the best service and solution. Let us make a better world for our industry!



## Contact us

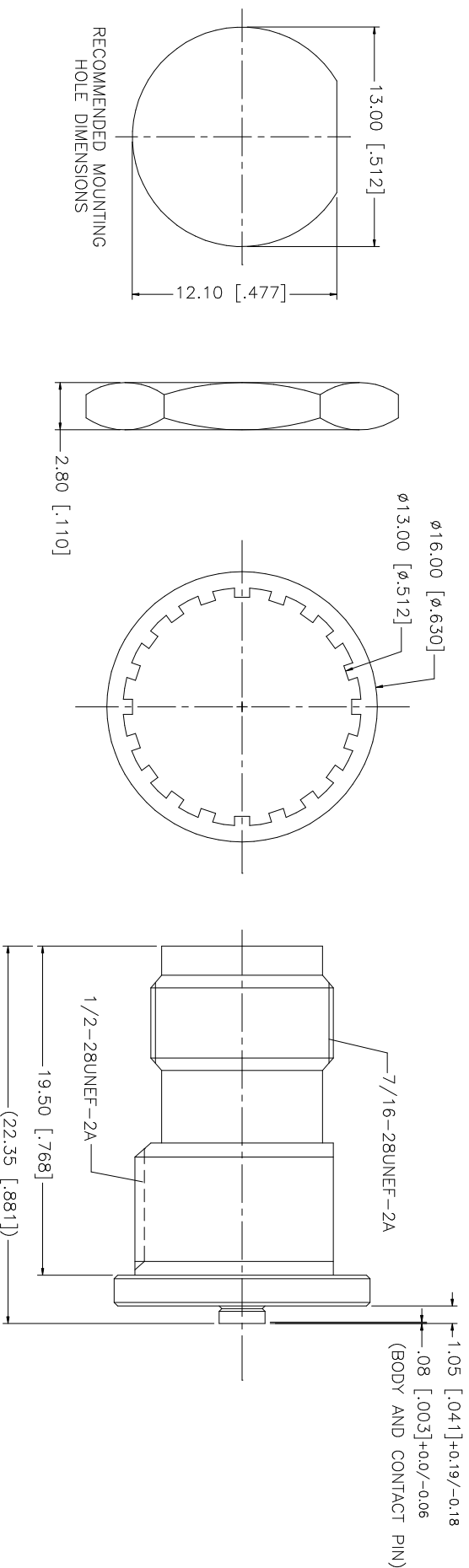
Tel: +86-755-8981 8866 Fax: +86-755-8427 6832

Email & Skype: info@chipsmall.com Web: www.chipsmall.com

Address: A1208, Overseas Decoration Building, #122 Zhenhua RD., Futian, Shenzhen, China



REV.	DATE	DESCRIPTION
A	04/06/04	MODIFY PART DESCRIPTION - REMOVE "REVERSE POLARITY"
B	05/26/06	REVISE PART DESCRIPTION TO "AMC" JACK



NOTES:  
 1. MAX. PANEL THICKNESS = 5mm

**Amphenol Connex**

AMC JACK TO TNC JACK  
 BULKHEAD ADAPTER

QTY	DESCRIPTION	MATERIAL	FINISH
1	HEX NUT	BRASS	NICKEL
1	LOCK WASHER	BRASS	NICKEL
1	BODY	BRASS	NICKEL
1	INSULATOR	TEFLON	NATURAL
1	CONTACT PIN	BRASS	GOLD
1	BODY	BRASS	NICKEL
	DESCRIPTION	MATERIAL	FINISH

APPROVALS	DATE
DRAWN G.R.S.	05/26/06
CHECKED	
ISSUED	
SHEET 1 OF 1	

UNLESS OTHERWISE SPECIFIED DIMENSIONS ARE INCHES AND FOR CUSTOMER REFERENCE ONLY.	UNLESS OTHERWISE SPECIFIED DIMENSIONS ARE MILLIMETERS AND FOR CUSTOMER REFERENCE ONLY.
TOLERANCES FOR MILLIMETERS ARE:	TOLERANCES FOR INCHES ARE:
0.5 - 8mm ± 0.20mm	.020 - .315 = ± 0.007"
8 - 30mm ± 0.40mm	.315 - 1.180 = ± 0.015"
30 - 120mm ± 0.50mm	1.180 - 4.724 = ± 0.020"

DO NOT SCALE DRAWING	CAD FILE	DWG. NO.	REV.	SIZE	SCALE
	C:/242/242192.DWG	242192.DWG	B	A	NA