



Chipsmall Limited consists of a professional team with an average of over 10 year of expertise in the distribution of electronic components. Based in Hongkong, we have already established firm and mutual-benefit business relationships with customers from,Europe,America and south Asia,supplying obsolete and hard-to-find components to meet their specific needs.

With the principle of “Quality Parts,Customers Priority,Honest Operation,and Considerate Service”,our business mainly focus on the distribution of electronic components. Line cards we deal with include Microchip,ALPS,ROHM,Xilinx,Pulse,ON,Everlight and Freescale. Main products comprise IC,Modules,Potentiometer,IC Socket,Relay,Connector.Our parts cover such applications as commercial,industrial, and automotives areas.

We are looking forward to setting up business relationship with you and hope to provide you with the best service and solution. Let us make a better world for our industry!



Contact us

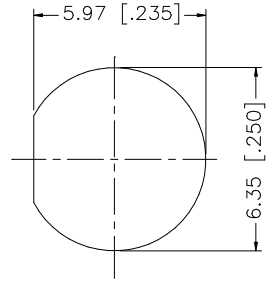
Tel: +86-755-8981 8866 Fax: +86-755-8427 6832

Email & Skype: info@chipsmall.com Web: www.chipsmall.com

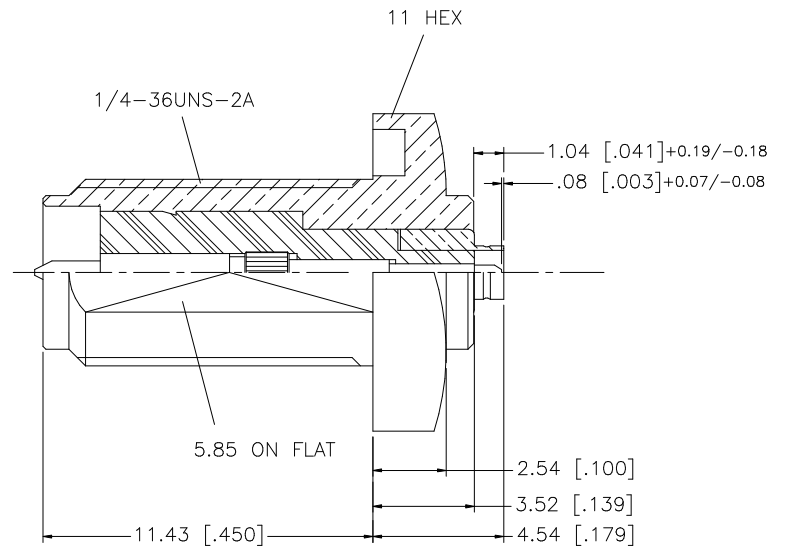
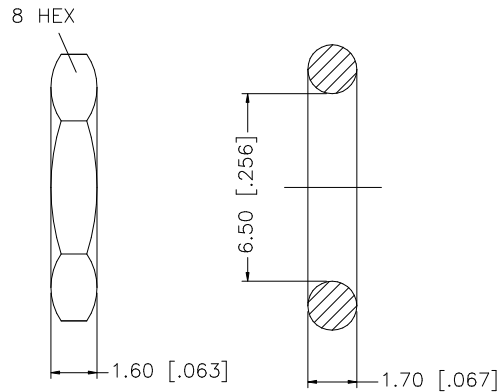
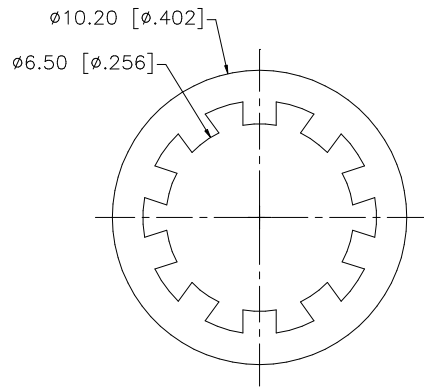
Address: A1208, Overseas Decoration Building, #122 Zhenhua RD., Futian, Shenzhen, China



REV.	DATE	DESCRIPTION
NC	05/28/07	INITIAL RELEASE



RECOMMENDED MOUNTING HOLE



NOTE:
1. MAX. PANEL THICKNESS = 3.8mm

DESCRIPTION	MATERIAL	FINISH	QTY	UNLESS OTHERWISE SPECIFIED DIMENSIONS ARE IN MILLIMETERS. DIMENSIONS IN [] ARE IN INCHES AND FOR CUSTOMER REFERENCE ONLY.	APPROVALS	DATE	Amphenol Connex								
8				UNLESS OTHERWISE SPECIFIED TOLERANCES FOR MILLIMETERS ARE: 0.5 - 8mm ± 0.20mm 8 - 30mm ± 0.40mm 30 - 120mm ± 0.50mm UNLESS OTHERWISE SPECIFIED TOLERANCES FOR INCHES ARE: .020 - .315 = ± 0.007" .315 - 1.180 = ± 0.015" 1.180 - 4.724 = ± 0.020"	DRAWN	G.R.S.	05/28/07	PART DESCRIPTION SMA REVERSE POLARITY JACK BULKHEAD TO U.FL PLUG ADAPTER							
7					CHECKED										
6	HEX NUT	BRASS	GOLD		1	ISSUED			PART NO. 242201RP						
5	LOCK WASHER	BRASS	GOLD		1	SHEET	1 OF 1								
4	GASKET	SILICONE	RED	1	CAD FILE		C:/242/242201RP.DWG	DWG. NO.	242201RP.DWG	REV.	NC	SIZE	A	SCALE	NA
3	CONTACT PIN	BRASS	GOLD	1	DO NOT SCALE DRAWING										
2	INSULATOR	TEFLON	NATURAL	1											
1	BODY	BRASS	GOLD	1											