



Chipsmall Limited consists of a professional team with an average of over 10 year of expertise in the distribution of electronic components. Based in Hongkong, we have already established firm and mutual-benefit business relationships with customers from,Europe,America and south Asia,supplying obsolete and hard-to-find components to meet their specific needs.

With the principle of “Quality Parts,Customers Priority,Honest Operation,and Considerate Service”,our business mainly focus on the distribution of electronic components. Line cards we deal with include Microchip,ALPS,ROHM,Xilinx,Pulse,ON,Everlight and Freescale. Main products comprise IC,Modules,Potentiometer,IC Socket,Relay,Connector.Our parts cover such applications as commercial,industrial, and automotives areas.

We are looking forward to setting up business relationship with you and hope to provide you with the best service and solution. Let us make a better world for our industry!



## Contact us

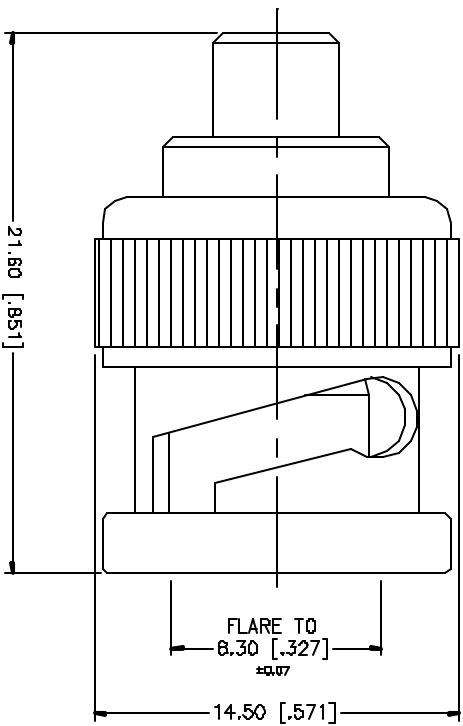
Tel: +86-755-8981 8866 Fax: +86-755-8427 6832

Email & Skype: info@chipsmall.com Web: www.chipsmall.com

Address: A1208, Overseas Decoration Building, #122 Zhenhua RD., Futian, Shenzhen, China



REV.	DATE	DESCRIPTION
NC	06/16/04	UPDATE DRAWING FORMAT



REV.	DATE	DESCRIPTION	MATERIAL	FINISH	QTY
8					
7					
6					
5					
4					
3		CONTACT PIN	BERL COPPER	GOLD	1
2		INSULATOR	TEFLON	NATURAL	1
1		BODY	BRASS	NICKEL	1
		DESCRIPTION	MATERIAL	FINISH	QTY

UNLESS OTHERWISE SPECIFIED, DIMENSIONS ARE IN INCHES AND FOR DECIMALS, FRACTIONS ARE TO BE IN DECIMALS UNLESS OTHERWISE SPECIFIED.	UNLESS OTHERWISE SPECIFIED, DIMENSIONS ARE IN MILLIMETERS UNLESS OTHERWISE SPECIFIED.
TOLERANCES FOR HIDDEN DIMS	TOLERANCES FOR HIDDEN DIMS
0/3 - 8/16 ± 0.20mm	0/3 - 8/16 ± 0.20mm
8 - 30/16 ± 0.40mm	8 - 30/16 ± 0.40mm
30 - 120/16 ± 0.50mm	30 - 120/16 ± 0.50mm
UNLESS OTHERWISE SPECIFIED, DIMENSIONS FOR HIDDEN DIMS	UNLESS OTHERWISE SPECIFIED, DIMENSIONS FOR HIDDEN DIMS
.020 - .315 ± 0.007"	.020 - .315 ± 0.007"
.315 - 1.180 ± 0.015"	.315 - 1.180 ± 0.015"
1.180 - 4.724 ± 0.020"	1.180 - 4.724 ± 0.020"

DO NOT SCALE DRAWINGS	DO NOT SCALE DRAWINGS
-----------------------	-----------------------

APPROVALS	DATE
DRAWN G.R.S.	06/16/04
CHECKED	
ISSUED	
SHEET 1 OF 1	

DWG FILE C:/242/242203.DWG	DWG NO. 242203.DWG	REV. NC	SIZE A	SCALE NA
----------------------------	--------------------	---------	--------	----------

<b>Amphenol Connex</b>	
<b>PART DESCRIPTION</b> <b>BNC PLUG TO MCX JACK ADAPTER</b>	
<b>PART NO.</b> <b>242203</b>	