



Chipsmall Limited consists of a professional team with an average of over 10 year of expertise in the distribution of electronic components. Based in Hongkong, we have already established firm and mutual-benefit business relationships with customers from,Europe,America and south Asia,supplying obsolete and hard-to-find components to meet their specific needs.

With the principle of “Quality Parts,Customers Priority,Honest Operation,and Considerate Service”,our business mainly focus on the distribution of electronic components. Line cards we deal with include Microchip,ALPS,ROHM,Xilinx,Pulse,ON,Everlight and Freescale. Main products comprise IC,Modules,Potentiometer,IC Socket,Relay,Connector.Our parts cover such applications as commercial,industrial, and automotives areas.

We are looking forward to setting up business relationship with you and hope to provide you with the best service and solution. Let us make a better world for our industry!



Contact us

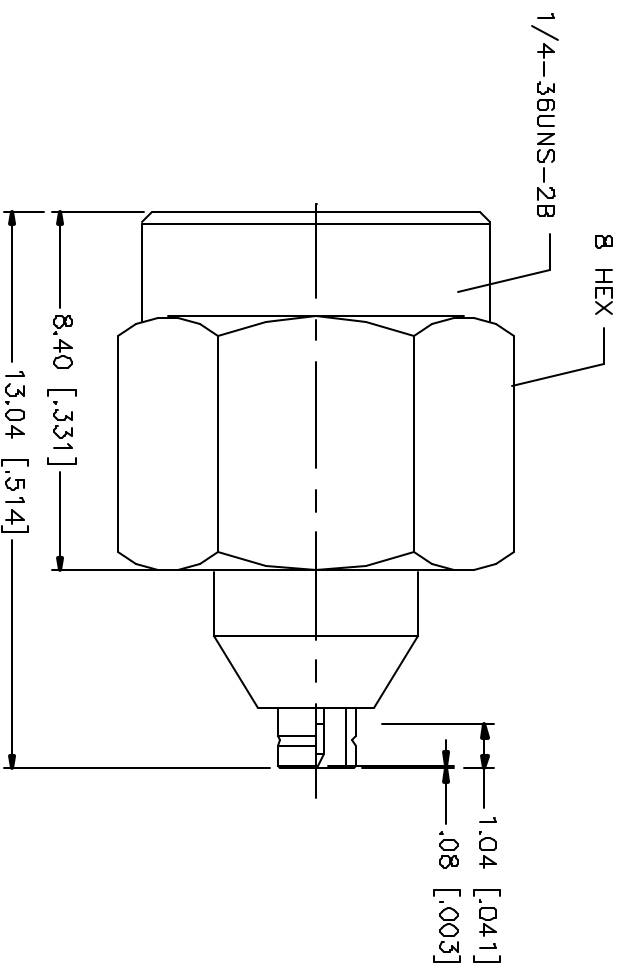
Tel: +86-755-8981 8866 Fax: +86-755-8427 6832

Email & Skype: info@chipsmall.com Web: www.chipsmall.com

Address: A1208, Overseas Decoration Building, #122 Zhenhua RD., Futian, Shenzhen, China



REV.	DATE	DESCRIPTION
A	10/03/04	MODIFY BODY



REV.	DATE	DESCRIPTION	MATERIAL	FINISH	QTY
B					
7					
6					
5					
4					
3			BRASS	GOLD	1
2			TEFLON	NATURAL	1
1			BRASS	GOLD	1
		DESCRIPTION			

<p>ALL DIMENSIONS SHOWN UNLESS OTHERWISE SPECIFIED ARE IN MILLIMETERS. DIMENSIONS FOR MILLIMETERS ARE TO BE USED FOR CURRENT REFERENCE DATA.</p> <p>UNLESS OTHERWISE SPECIFIED DIMENSIONS FOR MILLIMETERS ARE:</p> <p>D15 - 8mm ± 0.20mm 8 - 30mm ± 0.40mm 30 - 120mm ± 0.50mm</p> <p>UNLESS OTHERWISE SPECIFIED TOLERANCES FOR INCHES ARE:</p> <p>.020 - .315 = ± 0.007" .315 - 1.180 = ± 0.015" 1.180 - 4.724 = ± 0.020"</p> <p>DO NOT SCALE DRAWING</p>	<p>APPROVALS</p> <p>DRAWN G.R.S. DATE 10/03/04</p> <p>CHECKED</p> <p>ISSUED</p> <p>SHEET 1 OF 1</p>	<p>CAD FILE C:/242/242212.DWG</p> <p>DWG. NO. 242212.DWG</p> <p>REV. A</p> <p>SIZE A</p> <p>SCALE NA</p>
--	---	--

Amphenol Connex

SMA PLUG WITH AMC JACK ADAPTER

242212