



Chipsmall Limited consists of a professional team with an average of over 10 year of expertise in the distribution of electronic components. Based in Hongkong, we have already established firm and mutual-benefit business relationships with customers from,Europe,America and south Asia,supplying obsolete and hard-to-find components to meet their specific needs.

With the principle of “Quality Parts,Customers Priority,Honest Operation,and Considerate Service”,our business mainly focus on the distribution of electronic components. Line cards we deal with include Microchip,ALPS,ROHM,Xilinx,Pulse,ON,Everlight and Freescale. Main products comprise IC,Modules,Potentiometer,IC Socket,Relay,Connector.Our parts cover such applications as commercial,industrial, and automotives areas.

We are looking forward to setting up business relationship with you and hope to provide you with the best service and solution. Let us make a better world for our industry!



Contact us

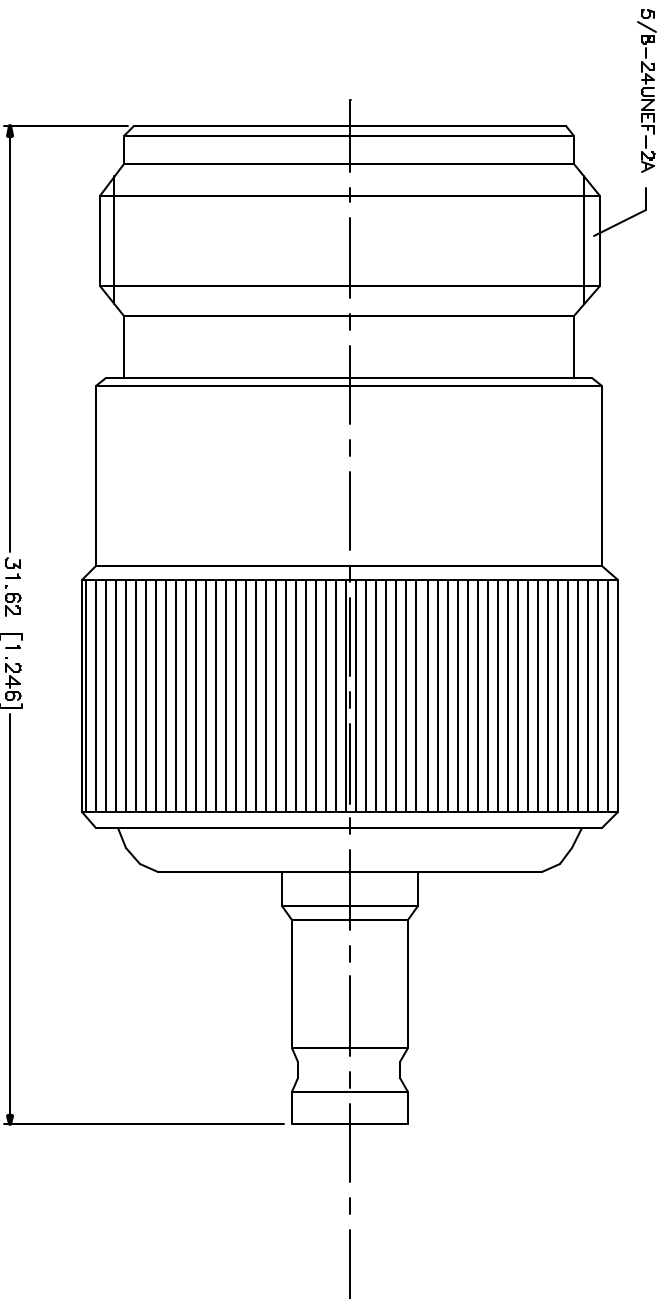
Tel: +86-755-8981 8866 Fax: +86-755-8427 6832

Email & Skype: info@chipsmall.com Web: www.chipsmall.com

Address: A1208, Overseas Decoration Building, #122 Zhenhua RD., Futian, Shenzhen, China



REV.	DATE	DESCRIPTION
NC	03/27/05	INITIAL RELEASE



QTY	DESCRIPTION	MATERIAL	FINISH	QTY	UNLESS OTHERWISE SPECIFIED DIMENSIONS ARE IN INCHES AND FOR DECIMALS ROUND UP.	UNLESS OTHERWISE SPECIFIED DIMENSIONS ARE IN MILLIMETERS FOR MILLIMETER AND TOLERANCES PER MILITARY AND	APPROVALS	DATE	PART DESCRIPTION
1	CONTACT PIN	PHOS. BRONZE	GOLD	1	.020 - ±.015 = ± 0.0007"	UNLESS OTHERWISE SPECIFIED DIMENSIONS FOR INCHES ARE	<p>UNLESS OTHERWISE SPECIFIED DIMENSIONS ARE IN MILLIMETERS FOR MILLIMETER AND TOLERANCES PER MILITARY AND</p> <p>UNLESS OTHERWISE SPECIFIED DIMENSIONS ARE IN MILLIMETERS FOR MILLIMETER AND TOLERANCES PER MILITARY AND</p> <p>UNLESS OTHERWISE SPECIFIED DIMENSIONS ARE IN MILLIMETERS FOR MILLIMETER AND TOLERANCES PER MILITARY AND</p>	03/27/05	N JACK TO 1.0/2.3 JACK ADAPTER
1	INSULATOR	TEFLON	NATURAL	1	.315 - ±.180 = ± 0.015"				
1	BODY	BRASS	NICKEL	1	1.180 - ±.4724 = ± 0.0204"				
	DESCRIPTION	MATERIAL	FINISH	QTY	DO NOT SCALE DRAWINGS				

Amphenol **Comnex**

N JACK TO 1.0/2.3 JACK ADAPTER

242218

C:/242/242218.DWG 242218.DWG REV. NC SIZE A SCALE NA