



Chipsmall Limited consists of a professional team with an average of over 10 year of expertise in the distribution of electronic components. Based in Hongkong, we have already established firm and mutual-benefit business relationships with customers from,Europe,America and south Asia,supplying obsolete and hard-to-find components to meet their specific needs.

With the principle of “Quality Parts,Customers Priority,Honest Operation,and Considerate Service”,our business mainly focus on the distribution of electronic components. Line cards we deal with include Microchip,ALPS,ROHM,Xilinx,Pulse,ON,Everlight and Freescale. Main products comprise IC,Modules,Potentiometer,IC Socket,Relay,Connector.Our parts cover such applications as commercial,industrial, and automotives areas.

We are looking forward to setting up business relationship with you and hope to provide you with the best service and solution. Let us make a better world for our industry!



## Contact us

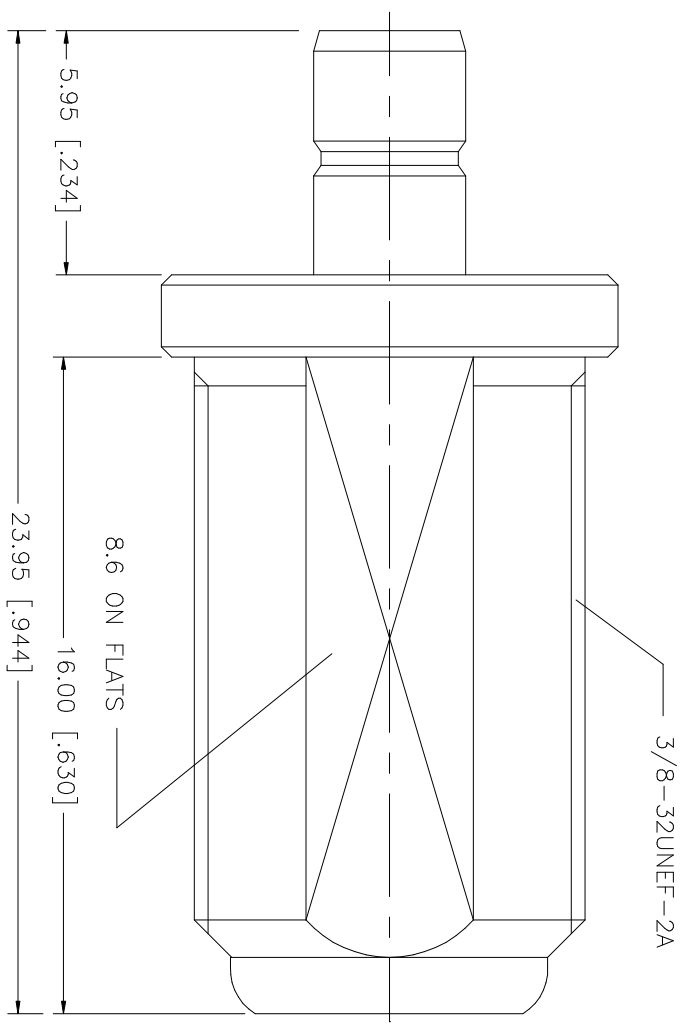
Tel: +86-755-8981 8866 Fax: +86-755-8427 6832

Email & Skype: info@chipsmall.com Web: www.chipsmall.com

Address: A1208, Overseas Decoration Building, #122 Zhenhua RD., Futian, Shenzhen, China



REV.	DATE	DESCRIPTION
NC	04/05/06	INITIAL RELEASE



REV.	DATE	DESCRIPTION
NC	04/05/06	INITIAL RELEASE

8				UNLESS OTHERWISE SPECIFIED DIMENSIONS ARE IN INCHES AND FOR CUSTOMER REFERENCE ONLY.	APPROVALS	DATE	<p><b>Amphenol Connex</b></p> <p>SMB JACK TO F JACK ADAPTER</p> <p>242224</p>	
7				UNLESS OTHERWISE SPECIFIED TOLERANCES FOR MILLIMETERS ARE:	DRAWN	G.R.S.		04/05/06
6				0.5 - 8mm ± 0.20mm	CHECKED			
5				8 - 30mm ± 0.40mm	ISSUED			
4				30 - 120mm ± 0.50mm	SHEET	1 OF 1		
3	CONTACT PIN	BER. COPPER	GOLD	1	CAD FILE			DWG. NO.
2	INSULATOR	TEFLON	NATURAL	1	C:/242/242224.DWG			242224.DWG
1	BODY	BRASS	NICKEL	1	DO NOT SCALE DRAWING			REV. NC
	DESCRIPTION	MATERIAL	FINISH	QTY				SIZE A
								SCALE NA