



Chipsmall Limited consists of a professional team with an average of over 10 year of expertise in the distribution of electronic components. Based in Hongkong, we have already established firm and mutual-benefit business relationships with customers from,Europe,America and south Asia,supplying obsolete and hard-to-find components to meet their specific needs.

With the principle of "Quality Parts,Customers Priority,Honest Operation,and Considerate Service",our business mainly focus on the distribution of electronic components. Line cards we deal with include Microchip,ALPS,ROHM,Xilinx,Pulse,ON,Everlight and Freescale. Main products comprise IC,Modules,Potentiometer,IC Socket,Relay,Connector.Our parts cover such applications as commercial,industrial, and automotives areas.

We are looking forward to setting up business relationship with you and hope to provide you with the best service and solution. Let us make a better world for our industry!



Contact us

Tel: +86-755-8981 8866 Fax: +86-755-8427 6832

Email & Skype: info@chipsmall.com Web: www.chipsmall.com

Address: A1208, Overseas Decoration Building, #122 Zhenhua RD., Futian, Shenzhen, China



NOTE:

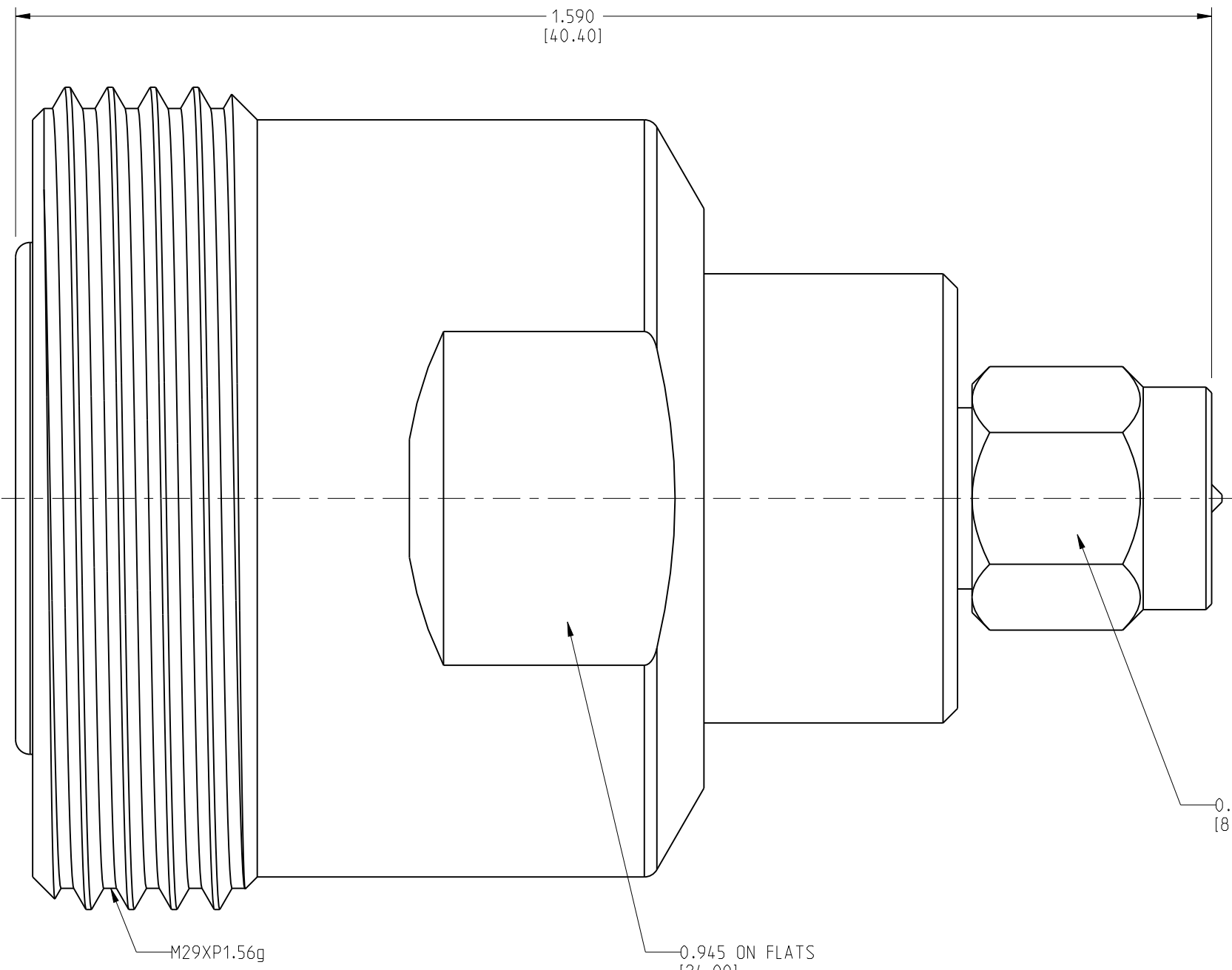
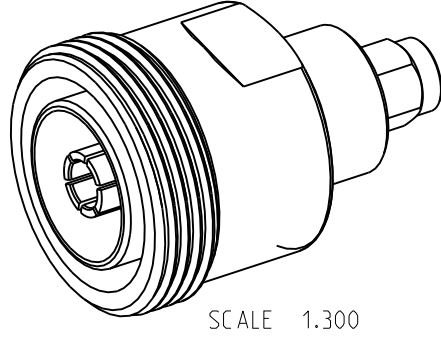
- I. ELECTRIC PERFORMANCE
 - IMPEDANCE (Ω) : 50
 - FREQUENCY RANGE : DC-6GHz
 - VSWR : ≤ 1.12 (DC-3 GHz)
 - : ≤ 1.5 (3-6 GHz)
 - INSERT LOSS (dB) : ≤ 0.15
 - PIM(dBc) : ≤ -160
 - INSULATION RESISTANCE ($M\Omega$) : >5000
 - PROOF VOLTAGE (V) : 1000
 - CONDUCTOR RESISTANCE ($m\Omega$) : OUTER CONDUCTOR <2
 - : INNER CONDUCTOR <2.5

- II. MECHANICAL PERFORMANCE
 - SMA NUT TORQUE : 0.9 N.m
 - MECHANICAL WEAR : 500

- III. MATERIAL AND PLATING
 - INNER CONDUCTOR : BRASS PLATING Au 0.1 μ m
 - OUTER CONDUCTOR : BRASS PLATING COPPER-TIN-ZINC 2 μ m
 - SMA COUPLING NUT : BRASS PLATING COPPER-TIN-ZINC 2 μ m
 - INSULATOR : PTFE

- IV. ENVIRONMENT
 - TEMP.RANGE : -55 $^{\circ}$ C TO +155 $^{\circ}$ C
 - WATERPROOF STANDARD : IP67
 - ROHS COMPLIANT

242266		REVISIONS			
DRAWING NO.	REV	DESCRIPTION	DATE	ECO	APPR
THIRD ANGLE PROJ.	A	RELEASE TO MFG	01-Oct-12	--	KR
	B	CORRECT BOM, UPDATE NOTES	25-Feb-13	2453	CL



5	INNER CONDUCTOR	BRASS	GOLD	1
4	NUT	BRASS	WHITE BRONZE	1
3	INSULATOR	PTFE	NATURAL	1
2	OUTER CONDUCTOR	BRASS	WHITE BRONZE	1
1	BODY	BRASS	WHITE BRONZE	1
NO	DESCRIPTION	MATERIAL	FINISH	QTY

UNLESS OTHERWISE SPECIFIED, DIMENSIONS ARE IN INCHES AND TOLERANCES ARE: 2 PLACE DECIMAL 3 PLACE DECIMAL ANGLES $\pm .015$ (0,381 mm) $\pm .005$ (0,127 mm) $\pm 1^{\circ}$		MATERIAL SEE NOTES	DRAWN KARTHIK R	DATE 25-Feb-13	TITLE 7/16 FEMALE TO SMA MALE ADAPTER, LOW PIM	Amphenol Connex	
NOTICE - These drawings, specifications, or other data (1) are, and remain the property of Amphenol Corp. (2) must be returned upon request; and (3) are confidential and not to be disclosed to any person other than those to whom they are given by Amphenol Corp. The furnishing of these drawings, specifications, or other data by Amphenol Corp., or to any other person to anyone for any purpose is not to be regarded by implication or otherwise in any manner licensing, granting rights or permitting such holder or any other person to manufacture, use or sell any product, process or design, patented or otherwise, that may in any way be related to or disclosed by said drawings, specifications, or other data.		REFERENCE	ENGINEER KARTHIK R	DATE 25-Feb-13			
			APPROVED	DATE	SCALE: 5.1:1	SHEET 1 OF 1	
			CAD FILE	DWG SIZE B	DRAWING NO. 242266	REV B	