



Chipsmall Limited consists of a professional team with an average of over 10 year of expertise in the distribution of electronic components. Based in Hongkong, we have already established firm and mutual-benefit business relationships with customers from,Europe,America and south Asia,supplying obsolete and hard-to-find components to meet their specific needs.

With the principle of “Quality Parts,Customers Priority,Honest Operation,and Considerate Service”,our business mainly focus on the distribution of electronic components. Line cards we deal with include Microchip,ALPS,ROHM,Xilinx,Pulse,ON,Everlight and Freescale. Main products comprise IC,Modules,Potentiometer,IC Socket,Relay,Connector.Our parts cover such applications as commercial,industrial, and automotives areas.

We are looking forward to setting up business relationship with you and hope to provide you with the best service and solution. Let us make a better world for our industry!



Contact us

Tel: +86-755-8981 8866 Fax: +86-755-8427 6832

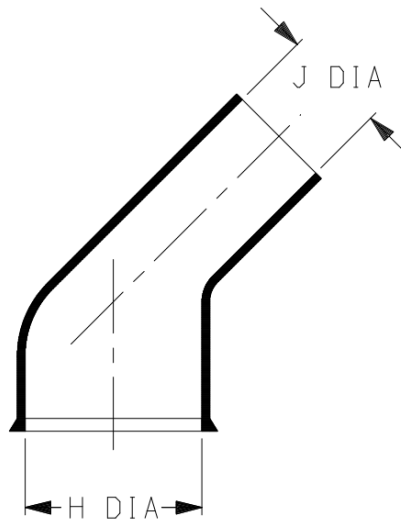
Email & Skype: info@chipsmall.com Web: www.chipsmall.com

Address: A1208, Overseas Decoration Building, #122 Zhenhua RD., Futian, Shenzhen, China

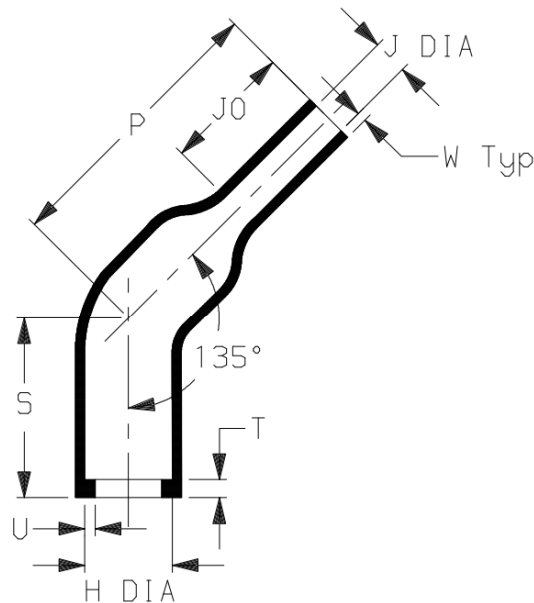


a) Part as supplied

242W0**-*



b) Part after unrestricted recovery.



DIMENSIONS in millimetres
(in inches, for reference)

Part Number	H		J		P	S	T	U	J0	W
	Min a	Max b	Min a	Max b	±10% b	±10% b	±10% b	±10% b	±10% b	±20% b
242W042	31 (1.22)	17.9 (0.70)	18 (0.71)	7.0 (0.28)	55 (2.17)	35 (1.38)	3.5 (0.14)	2.0 (0.08)	25 (0.98)	1.8 (0.07)
242W053	36 (1.42)	22.1 (0.87)	21 (0.83)	8.4 (0.33)	60 (2.36)	40 (1.57)	3.5 (0.14)	2.0 (0.08)	30 (1.18)	2.0 (0.08)
242W063	43 (1.69)	27.9 (1.10)	25 (0.98)	9.9 (0.39)	65 (2.56)	45 (1.77)	3.5 (0.14)	2.0 (0.08)	35 (1.38)	2.2 (0.09)

Copyright (!)

The copyright in this drawing is the property of Tyco Electronics UK Ltd. The drawing is issued on the condition that it is not copied, reproduced or disclosed to a third party, either in whole or in part without the prior written consent of Tyco Electronics UK Ltd.

Drawn D LADD

Checked

Issue 5

Date October 2011

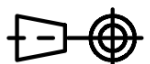
Conforms to ISO Recommendations

Approval
Design

MKTG.

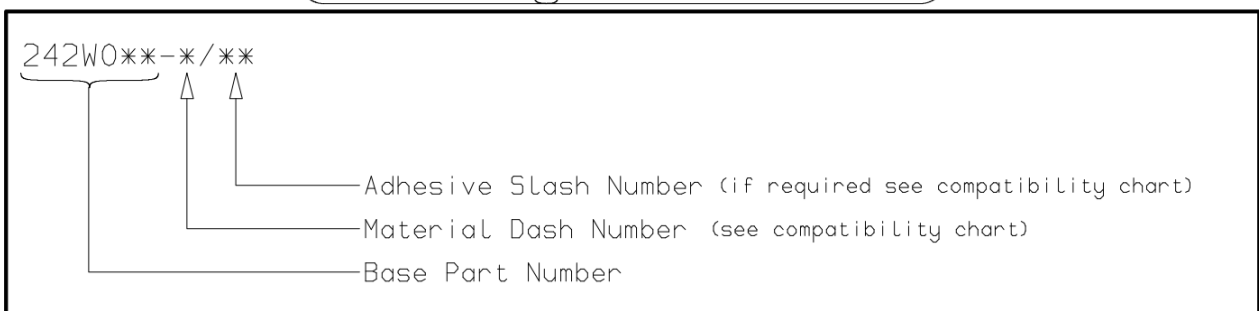
Tech.

3rd Angle Projection
Not to Scale



Raychem		Specification Control Drawing	Part Number 242W0**-* Issue 5
Iss.	Date	E.C.R. No.	Details of Change
2	November 2000	CR00-HM-0016	W was 2.0
3	January 2007	CR06-DM-104	-12 Material description name changed
3	January 2007	CR06-HM-012	Imperial dimensions added
4	November 2007	CR07-HM-020	S1030 note added
5	October 2011	RTS 556804	/180 ADHESIVE ADDED

(Ordering Information)



(COMPATIBILITY CHART)

Material Dash Number	Material Description	SPEC Number	Coating Slash Number
-12	FLUOROELASTOMER, FLEXIBLE	RT-1312	/225
-100	ZEROHAL	RW-2058	/86, /180 (see note 2)

NOTES

- ① As supplied dimensions are for uncoated parts, when coating is added entry diameters will reduce by 1.5mm Max.
- ② S1030 (/180 equivalent) will be supplied as CS-1972 (S1030 tape loose in the bag) (i.e. 242W042-100-CS-1972-0) OR AS /180 if required
- ③ ZEROHAL is a trademark of Tyco Electronics

Tyco Electronics UK Ltd. Faraday Road, Swindon, Wiltshire, SN3 5HH England Telephone: (01793) 528171 Fax: 572516	Tyco Electronics Corporation 300, Constitution Drive, Menlo Park, CA 94025 USA Telephone (650) 361-3860 Fax: (650) 361-5579
Cage Code K1010	Cage Code 06090