



Chipsmall Limited consists of a professional team with an average of over 10 year of expertise in the distribution of electronic components. Based in Hongkong, we have already established firm and mutual-benefit business relationships with customers from,Europe,America and south Asia,supplying obsolete and hard-to-find components to meet their specific needs.

With the principle of "Quality Parts,Customers Priority,Honest Operation,and Considerate Service",our business mainly focus on the distribution of electronic components. Line cards we deal with include Microchip,ALPS,ROHM,Xilinx,Pulse,ON,Everlight and Freescale. Main products comprise IC,Modules,Potentiometer,IC Socket,Relay,Connector.Our parts cover such applications as commercial,industrial, and automotives areas.

We are looking forward to setting up business relationship with you and hope to provide you with the best service and solution. Let us make a better world for our industry!



## Contact us

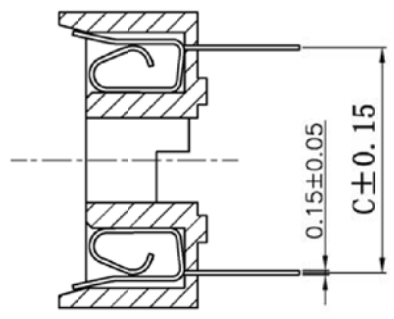
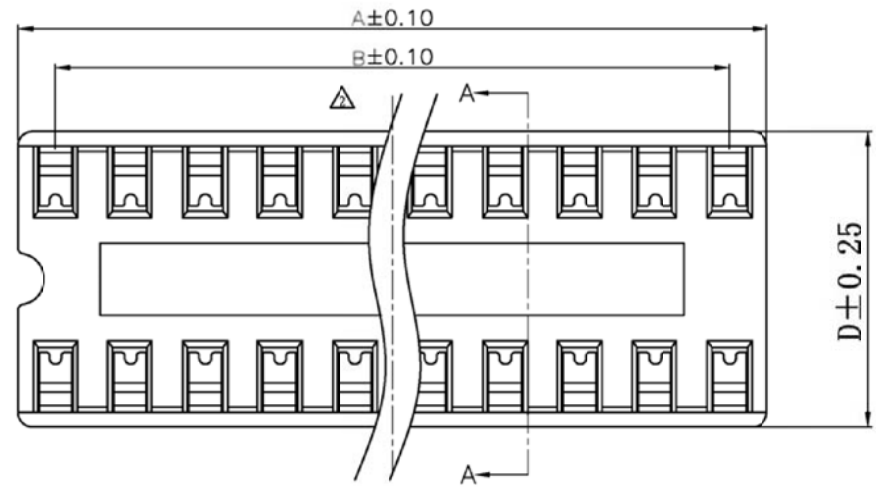
Tel: +86-755-8981 8866 Fax: +86-755-8427 6832

Email & Skype: info@chipsmall.com Web: www.chipsmall.com

Address: A1208, Overseas Decoration Building, #122 Zhenhua RD., Futian, Shenzhen, China

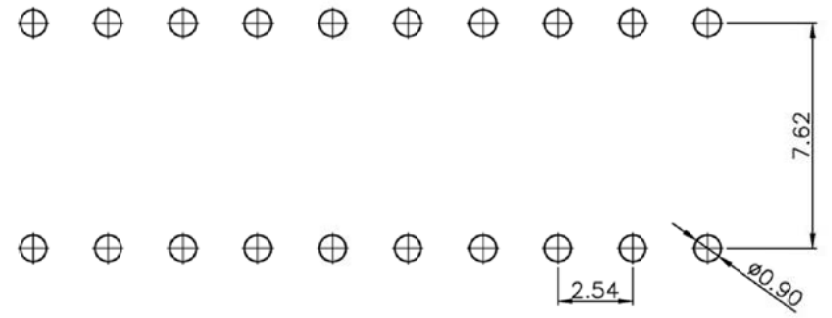
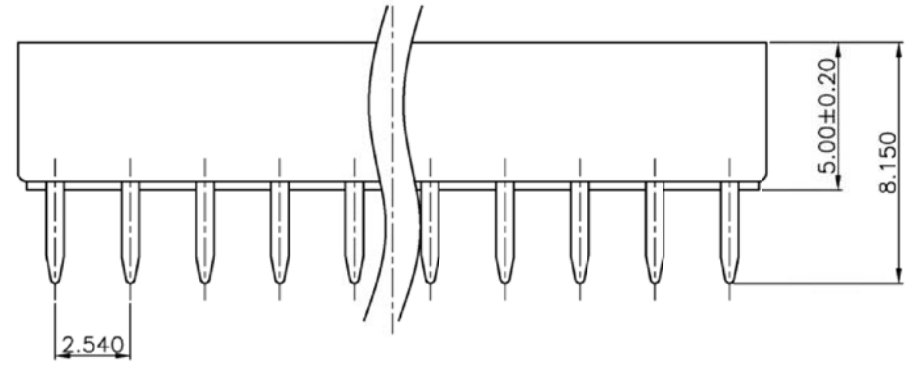


REV	ECN.NO:	B Y	DATE
A1	△EG-H31002	SYSTEM	08/04/23
A2	△EG-H31003	SYSTEM	08/08/06



SECTION: A-A

NOTES:  
MATERIAL:  
CONTACTS:PHOSPHOR BRONZE  
INSULATOR:PBT+30% GLASS UL 94V-0  
ELECTRICAL:  
CONTACT CURRENT PATING:1A  
DIELECTRIC WITHSTANDING VOLTAGE: 1000V AC  
CONTACT RESISTANCE: 20milliohms max  
INSULATION RESISTANCE: 1000 MEGOHMS  
CAPACITANCE:0.5PICO-FARAD MAXIMUM  
TEMPERATURE RANGE:-40°C+105°C  
MECHANICAL:  
ENGAGING FORCE:340g/A CONTACT MAX.  
SEPARATING FORCE:20g/A CONTACT MIN.  
DURABILITY:50 CYCLES  
NO.OF CONTACT:6-48  
FINISH:  
CONTACT PLATING:TIN PLATED 60.03U"-88.35U"



PCB LAYOUT

PIN NO.	DIM A	DIM B	DIM C	DIM D
6	7.62	5.08	7.62	10.16
8	10.16	7.62	7.62	10.16
14	17.78	15.24	7.62	10.16
16	20.32	17.76	7.62	10.16
18	22.86	20.32	7.62	10.16
20	25.4	22.86	7.62	10.16
22	27.95	25.4	7.62	10.16

-TOLERANCES- UNLESS OTHERWISE SPECIFIED		<b>CnC Tech, LCC</b> Industrial Cable and Connector Technology					
				TITLE: IC SOCKET PH:2.54			
X.X ±0.30	X.X* ±3°	APPD:	PRODUCT NO: 243-XX-1-03				
X.XX ±0.20	X.XX* ±1°	CHECK:	DATE	SCALE	UNIT	TYPE	PAGE
X.XXX ±0.10	X.XXX* ±0.5°	DRAW:	08.08.06	FREE	MM	Z	1