



Chipsmall Limited consists of a professional team with an average of over 10 year of expertise in the distribution of electronic components. Based in Hongkong, we have already established firm and mutual-benefit business relationships with customers from,Europe,America and south Asia,supplying obsolete and hard-to-find components to meet their specific needs.

With the principle of “Quality Parts,Customers Priority,Honest Operation,and Considerate Service”,our business mainly focus on the distribution of electronic components. Line cards we deal with include Microchip,ALPS,ROHM,Xilinx,Pulse,ON,Everlight and Freescale. Main products comprise IC,Modules,Potentiometer,IC Socket,Relay,Connector.Our parts cover such applications as commercial,industrial, and automotives areas.

We are looking forward to setting up business relationship with you and hope to provide you with the best service and solution. Let us make a better world for our industry!



## Contact us

Tel: +86-755-8981 8866 Fax: +86-755-8427 6832

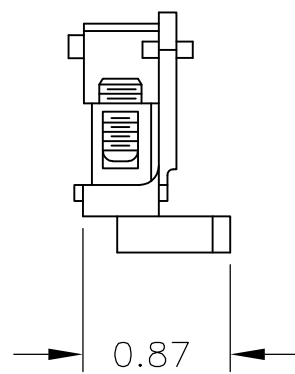
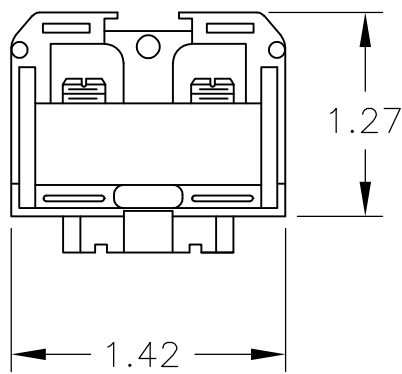
Email & Skype: info@chipsmall.com Web: www.chipsmall.com

Address: A1208, Overseas Decoration Building, #122 Zhenhua RD., Futian, Shenzhen, China



LOC	DIST	REVISIONS					
—	—	P	LTR	DESCRIPTION	DATE	DWN	APVD
			A	REDRAWN PER ECO-08-023052	29SEP08	HMR	SM

△ 1 MATERIAL: NYLON



THIS DRAWING IS UNPUBLISHED.  
 ALL INTERNATIONAL RIGHTS RESERVED.  
 BY TYCO ELECTRONICS CORPORATION.  
 COPYRIGHT ©

DIMENSIONS: INCHES	DWN	RAGHAVENDRA	29SEP08	MATERIAL	△ 1	FINISH	—				
	CHK	MACE SAM	29SEP08	Tyco Electronics Corporation Harrisburg, PA 17105-3608							
TOLERANCES UNLESS OTHERWISE SPECIFIED:	APVD	MACE SAM	29SEP08								
0 PLC ± -	PRODUCT SPEC			NAME							
1 PLC ± -	—			HEAVY DUTY, T.C NYLON							
2 PLC ± -	APPLICATION SPEC			F.B. TERMINAL BLOCK ASS'Y							
3 PLC ± -	—			SIZE	CAGE CODE	DRAWING NO	RESTRICTED TO				
4 PLC ± -	—			A4	00779	④ 4-1437390-1	—				
ANGLES ± -	WEIGHT			—							
				CUSTOMER DRAWING		SCALE	1:1	SHEET	1 OF 1	REV	A