



Chipsmall Limited consists of a professional team with an average of over 10 year of expertise in the distribution of electronic components. Based in Hongkong, we have already established firm and mutual-benefit business relationships with customers from,Europe,America and south Asia,supplying obsolete and hard-to-find components to meet their specific needs.

With the principle of “Quality Parts,Customers Priority,Honest Operation,and Considerate Service”,our business mainly focus on the distribution of electronic components. Line cards we deal with include Microchip,ALPS,ROHM,Xilinx,Pulse,ON,Everlight and Freescale. Main products comprise IC,Modules,Potentiometer,IC Socket,Relay,Connector.Our parts cover such applications as commercial,industrial, and automotives areas.

We are looking forward to setting up business relationship with you and hope to provide you with the best service and solution. Let us make a better world for our industry!



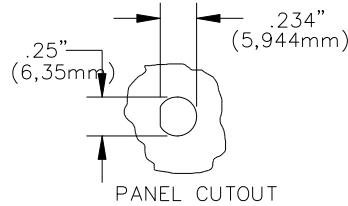
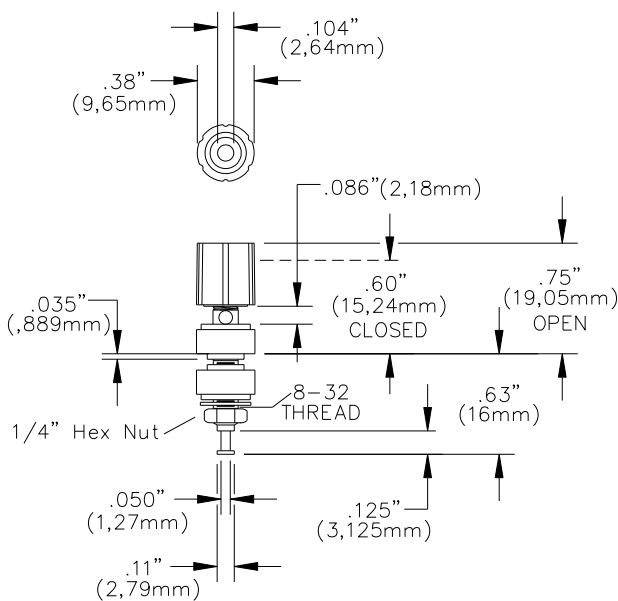
Contact us

Tel: +86-755-8981 8866 Fax: +86-755-8427 6832

Email & Skype: info@chipsmall.com Web: www.chipsmall.com

Address: A1208, Overseas Decoration Building, #122 Zhenhua RD., Futian, Shenzhen, China





FEATURES:

- ✓ Gold or Tin Plated
- ✓ Panel Thickness .07 (1,78mm) to .170" (4,32mm)
- ✓ Accepts miniature banana plug, wire or spade lug..
- ✓ Hardware Included

MATERIALS:

Insulated Captive Thumb Nut;

Model: 2382, Gold Flash Brass;

Model 2439, Tin Plated Brass

Binding Post Body:

Model: 2382, Gold Plated Brass

Model: 2439, Tin Plated Brass

Solder Turret Terminal: – Gold Flash; 2439 - Tin

Model: 2382, Gold Flash Brass

Model 2439, Tin Plating Brass

Thumb Nut, Mounting Base and Insulator:

Polycarbonate.

Lock washer: Nickel Plated Steel

Hex Nut 1.4" #8-32: Nickel Plated Brass

RATINGS:

Operating Voltage: Hands free usage in controlled voltage environments: 1500 Vrms maximum.
For CE compliance: not intended for hand-held use at voltages above 33 Vrms/70 Vdc.

Current: 5 Amperes

Operating Temperature: +115°C (+239°F) Max.

ORDERING INFORMATION:

Model 2382-Color (Gold)

Color = 0 (Black), 2 (Red), 3 (Orange), 5 (Green), 6 (Blue), 9 (White)

Model 2439-Color (Tin)

Color = 0 (Black), 1 (Brown), 2 (Red), 3 (Orange), 5 (Green), 6 (Blue), 9 (White)

All dimensions are in inches. Tolerances (except noted): .xx = ±.02" (.51 mm), .xxx = ±.005" (.127 mm).

All specifications are to the latest revisions. Specifications are subject to change without notice.

Registered trademarks are the property of their respective companies.

Sales: 800-490-2361 Fax: 888-403-3360 Technical Support: 800-241-2060 (technicalsupport@pomonatest.com)

For "Where to Buy" information, visit the Pomona web site at www.pomonaelectronics.com