



Chipsmall Limited consists of a professional team with an average of over 10 year of expertise in the distribution of electronic components. Based in Hongkong, we have already established firm and mutual-benefit business relationships with customers from,Europe,America and south Asia,supplying obsolete and hard-to-find components to meet their specific needs.

With the principle of “Quality Parts,Customers Priority,Honest Operation,and Considerate Service”,our business mainly focus on the distribution of electronic components. Line cards we deal with include Microchip,ALPS,ROHM,Xilinx,Pulse,ON,Everlight and Freescale. Main products comprise IC,Modules,Potentiometer,IC Socket,Relay,Connector.Our parts cover such applications as commercial,industrial, and automotives areas.

We are looking forward to setting up business relationship with you and hope to provide you with the best service and solution. Let us make a better world for our industry!



## Contact us

Tel: +86-755-8981 8866 Fax: +86-755-8427 6832

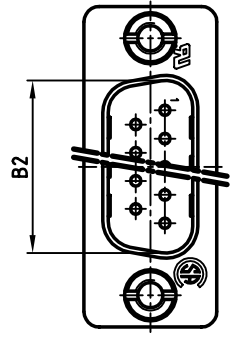
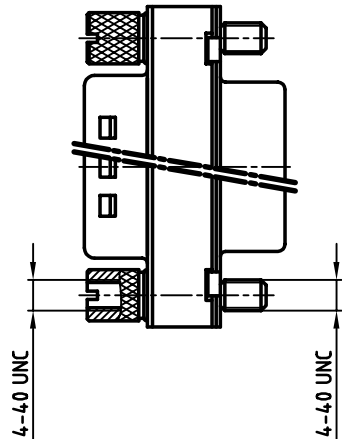
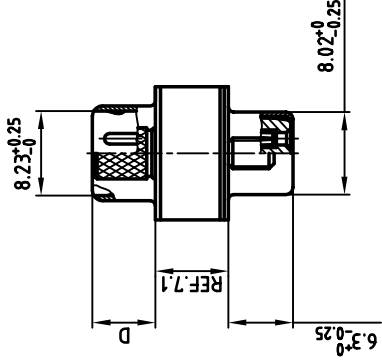
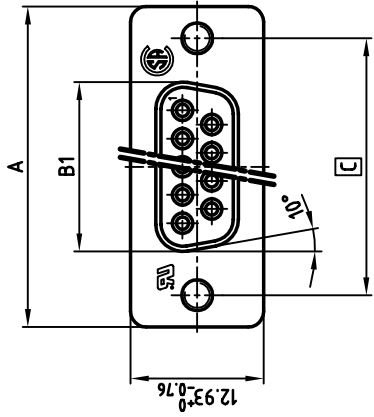
Email & Skype: info@chipsmall.com Web: www.chipsmall.com

Address: A1208, Overseas Decoration Building, #122 Zhenhua RD., Futian, Shenzhen, China



used for: D-SUB FILTER ADAPTER

Part-NO.	POS.	A <sup>-0.76</sup>	B1 <sup>-0.25</sup>	B2 <sup>+0.25</sup>	C	D <sup>-0.3</sup>
243A10090X	9	31.19	16.46	16.79	25.00 <sup>+0.12</sup> <sub>-0.13</sub>	6.12
243A10100X	15	39.52	24.79	25.12	33.30 <sup>+0.15</sup> <sub>-0.1</sub>	6.12
243A10110X	25	53.42	38.50	38.84	47.04 <sup>+0.13</sup>	5.99
243A10120X	37	69.70	54.96	55.30	63.50 <sup>+0.13</sup>	5.99



- NOTES:**
- METALSHELLS: STEEL; min. 320μ" TIN
  - INSULATORS: PBT GF UL 94 V-0, BLACK
  - CONTACTS: COPPER ALLOY
  - PLATING: min. 8μ" HARD GOLD OVER min. 50μ" NICKEL
  - CAPACITANCE: 830pF ±20%
  - MAXIMUM TORQUE VALUE FOR THREAD: 6" LBS
  - = CRITICAL DIMENSION: SPC

THIS DRAWING MAY NOT BE COPIED OR REPRODUCED IN ANY WAY, AND MAY NOT BE PASSED ON TO A THIRD PARTY WITHOUT WRITTEN PERMISSION.  
OWNERSHIP AND COPYRIGHT OF CONEC GMBH

DO NOT ALTER CAD DRAWING BY HAND

CONEC CORPORATION BRAMPTON, ONTARIO		tolerance	scale: 2:1
2001	date	name	material: SEE NOTES
drawn	08.10.	ParaI	title:
appd.	08.10.	E. Mickenbecker	<b>D-SUB C-FILTER ADAPTER</b>
norm		DIN 41652	9-37pos. PLUG / SOCKET
c-odd			dwg no: AutoCAD 2000
			DIN-A
			3
			sh: 1/1
			part no: <b>24K1A176A</b>
			SEE TABLE

**CONEC**