



Chipsmall Limited consists of a professional team with an average of over 10 year of expertise in the distribution of electronic components. Based in Hongkong, we have already established firm and mutual-benefit business relationships with customers from,Europe,America and south Asia,supplying obsolete and hard-to-find components to meet their specific needs.

With the principle of “Quality Parts,Customers Priority,Honest Operation,and Considerate Service”,our business mainly focus on the distribution of electronic components. Line cards we deal with include Microchip,ALPS,ROHM,Xilinx,Pulse,ON,Everlight and Freescale. Main products comprise IC,Modules,Potentiometer,IC Socket,Relay,Connector.Our parts cover such applications as commercial,industrial, and automotives areas.

We are looking forward to setting up business relationship with you and hope to provide you with the best service and solution. Let us make a better world for our industry!



Contact us

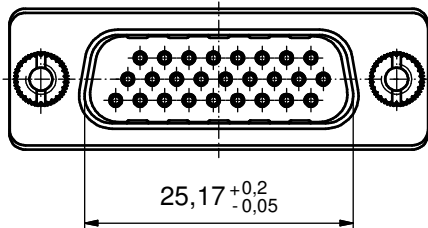
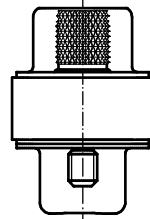
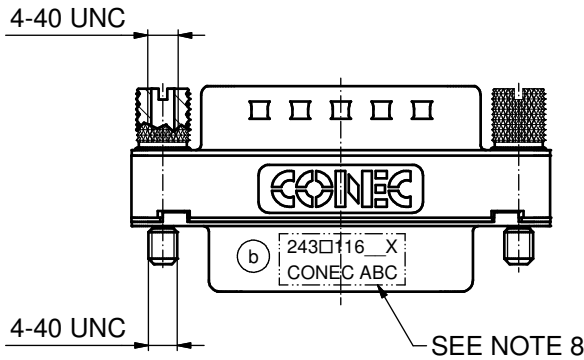
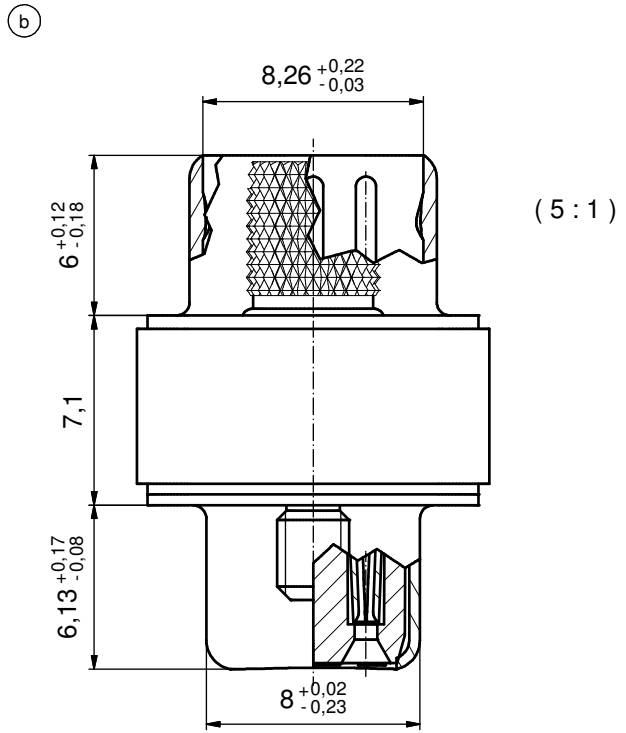
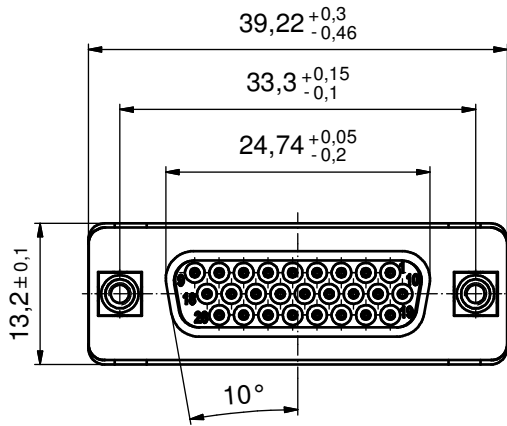
Tel: +86-755-8981 8866 Fax: +86-755-8427 6832

Email & Skype: info@chipsmall.com Web: www.chipsmall.com

Address: A1208, Overseas Decoration Building, #122 Zhenhua RD., Futian, Shenzhen, China

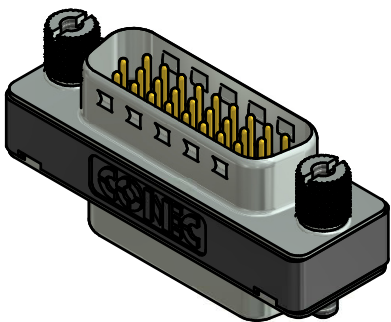


FILTER	CAPACITANCE	Part-no.
TYPE 1	180pF±20%	243□11610X
TYPE 2	370pF±20%	243□11650X
TYPE 3	830pF±20%	243□11690X



(b) NOTES:

- METALSHELLS: STEEL; min. 315µm TIN over 40-80µm NICKEL
- INSULATOR: PBT GF UL 94 V-0; BLACK
- CONTACTS: COPPER ALLOY; PLATING (SEE PART NO):
 - PLEASE ADD A for GOLD FLASH over NICKEL (PREFERRED TYPE)
 - PLEASE ADD B for 20µm HARD GOLD over min. 50µm NICKEL
 - PLEASE ADD C for 30µm HARD GOLD over min. 50µm NICKEL
- THREADED INSERTS: COPPER ALLOY; min 200µm TIN over 80µm NICKEL
- JACK SCREWS: COPPER ALLOY; NICKEL PLATED
- DIELECTRIC WITHSTANDING VOLTAGE: 300 VDC
- MAXIMUM TORQUE VALUE FOR THREAD: 6 in.LB
- CONNECTOR IS PART MARKED: 243□116 X CONEC ABC (see note 3 / see table)



RoHS compliant

THIS DRAWING MAY NOT BE COPIED OR REPRODUCED IN ANY WAY, AND MAY NOT BE PASSED ON TO A THIRD PARTY WITHOUT WRITTEN PERMISSION. OWNERSHIP AND COPYRIGHT OF CONEC GmbH				tolerance		scale: 2:1 (5:1)	
				dim. in mm		material: see notes	
DO NOT ALTER CAD DRAWING BY HAND				date	name	title: D-SUB HD C-FILTER ADAPTER 26pos. SOCKET / PLUG	
				drawn	28.01.97 Barcinski		
4 x b A5639 05.05.2015 K.H.				appd.	28.01.97 Mickenbecker		
				norm			
rev. description date name				d-old	24K1IP8A	part no: SEE TABLE	
				DIN-A3			
CONEC®						sh: 1	