



Chipsmall Limited consists of a professional team with an average of over 10 year of expertise in the distribution of electronic components. Based in Hongkong, we have already established firm and mutual-benefit business relationships with customers from,Europe,America and south Asia,supplying obsolete and hard-to-find components to meet their specific needs.

With the principle of “Quality Parts,Customers Priority,Honest Operation,and Considerate Service”,our business mainly focus on the distribution of electronic components. Line cards we deal with include Microchip,ALPS,ROHM,Xilinx,Pulse,ON,Everlight and Freescale. Main products comprise IC,Modules,Potentiometer,IC Socket,Relay,Connector.Our parts cover such applications as commercial,industrial, and automotives areas.

We are looking forward to setting up business relationship with you and hope to provide you with the best service and solution. Let us make a better world for our industry!



## Contact us

Tel: +86-755-8981 8866 Fax: +86-755-8427 6832

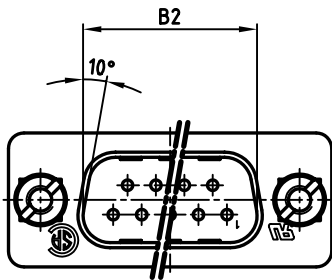
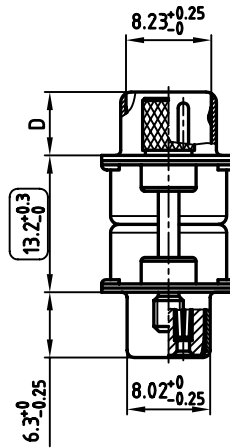
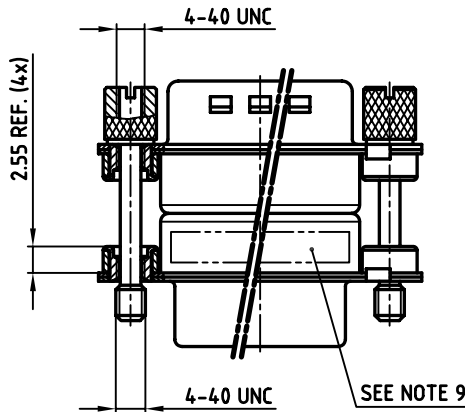
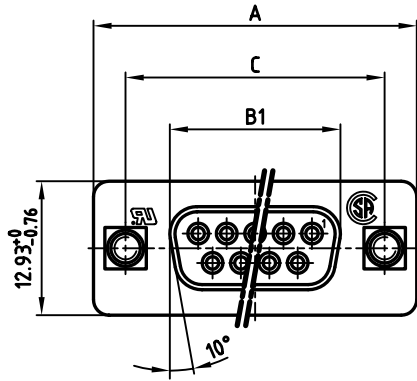
Email & Skype: info@chipsmall.com Web: www.chipsmall.com

Address: A1208, Overseas Decoration Building, #122 Zhenhua RD., Futian, Shenzhen, China



used for: FILTER ADAPTER

POS.	A <sup>-0.76</sup>	B1 <sup>-0.25</sup>	B2 <sup>+0.25</sup>	C	D <sup>-0.3</sup>	Part NO.
9	31.19	16.46	16.79	25.00 <sup>+0.12/-0.13</sup>	6.12	243A12920X
15	39.52	24.79	25.12	33.30 <sup>+0.15/-0.1</sup>	6.12	243A12930X
25	53.42	38.50	38.84	47.04 <sup>+0.13</sup>	5.99	243A12940X
37	69.70	54.96	55.30	63.50 <sup>+0.13</sup>	5.99	243A12950X



**NOTES:**

- METALSHELLS: STEEL; min. 320µ" TIN
- INSULATORS: PBT GF UL 94 V-0, BLACK
- CONTACTS: COPPER ALLOY  
PLATING: 8µ" HARD GOLD OVER min. 50µ" NICKEL
- THREADED INSERT: COPPER ALLOY; min. 200µ" TIN over 80µ" NICKEL
- COLLAR: COPPER ALLOY; min. 200µ" TIN over 80µ" NICKEL
- CAPACITANCE: 1300pF ±20%
- DIELECTRIC WITHSTANDING VOLTAGE: 424 VDC
- MAXIMUM TORQUE VALUE FOR THREAD: 6" LBS
- CONNECTOR IS PART MARKED: [PART-NO. CONEC ABC]
- = CHECK DIMENSION

Directive 2002/95/EC  
RoHS  
Compliant

APPROVAL # FREIGABE # DEBLOCAGE # AUTORIZACION # APPROVAL	
CUSTOMER APPROVAL DATE:	
NAME:	TITLE:
COMPANY NAME:	
APPROVAL # FREIGABE # DEBLOCAGE # AUTORIZACION # APPROVAL	

THIS DRAWING MAY NOT BE COPIED OR REPRODUCED IN ANY WAY, AND MAY NOT BE PASSED ON TO A THIRD PARTY, WITHOUT WRITTEN PERMISSION. OWNERSHIP AND COPYRIGHT OF CONEC GmbH DO NOT ALTER CAD DRAWING BY HAND

rev.	description	date	name
a	Origin		

tolerance			scale: 2:1
			material: SEE NOTES
2006	date	name	title: FULL METAL LC-FILTER ADAPTER PLUG / SOCKET 9-37pos. with jack screws
drawn	15.02.	Lehmenkühler	
appd.	15.02.	Mickenbecker	
norm			
		d-old	dwg no: AutoCAD 2004
		<b>CONEC</b>	24K1A767
			DIN-A 3
			sh: 1/1
			part no: SEE TABLE

scale: 2:1	
material: SEE NOTES	
title: FULL METAL LC-FILTER ADAPTER PLUG / SOCKET 9-37pos. with jack screws	
dwg no: AutoCAD 2004	DIN-A 3
24K1A767	
sh: 1/1	
part no: SEE TABLE	