



Chipsmall Limited consists of a professional team with an average of over 10 year of expertise in the distribution of electronic components. Based in Hongkong, we have already established firm and mutual-benefit business relationships with customers from,Europe,America and south Asia,supplying obsolete and hard-to-find components to meet their specific needs.

With the principle of “Quality Parts,Customers Priority,Honest Operation,and Considerate Service”,our business mainly focus on the distribution of electronic components. Line cards we deal with include Microchip,ALPS,ROHM,Xilinx,Pulse,ON,Everlight and Freescale. Main products comprise IC,Modules,Potentiometer,IC Socket,Relay,Connector.Our parts cover such applications as commercial,industrial, and automotives areas.

We are looking forward to setting up business relationship with you and hope to provide you with the best service and solution. Let us make a better world for our industry!



Contact us

Tel: +86-755-8981 8866 Fax: +86-755-8427 6832

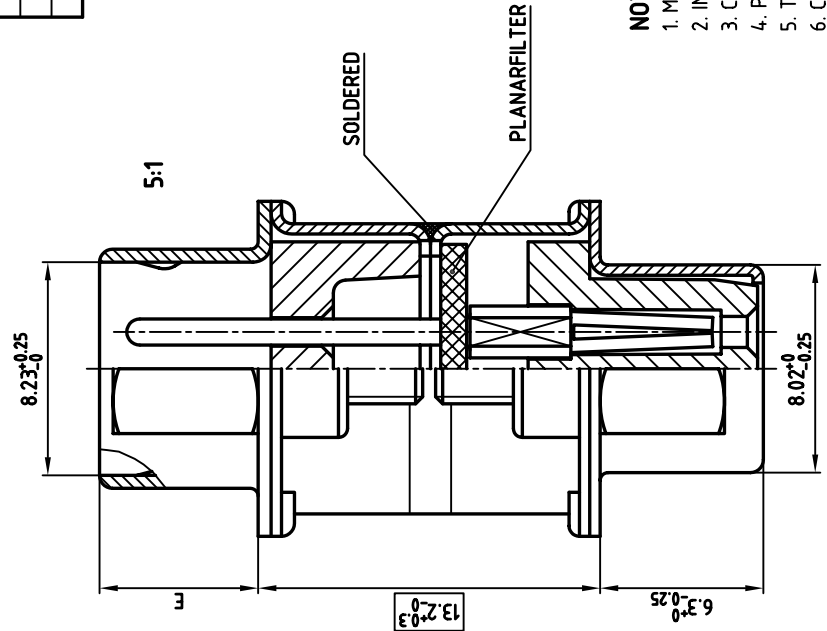
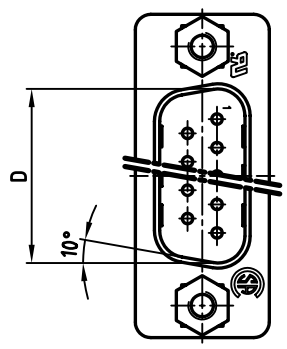
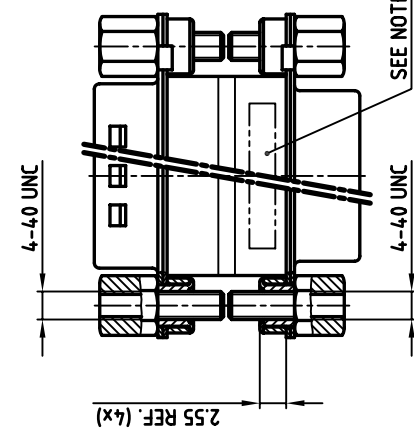
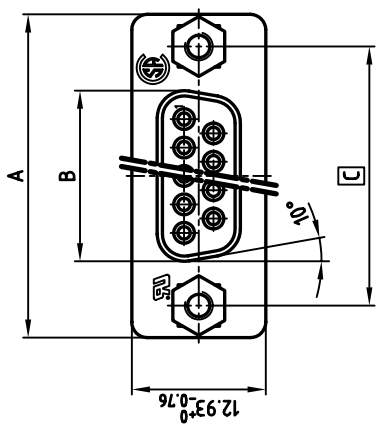
Email & Skype: info@chipsmall.com Web: www.chipsmall.com

Address: A1208, Overseas Decoration Building, #122 Zhenhua RD., Futian, Shenzhen, China



used for: FILTER ADAPTER

POS.	A ^{-0.76}	B ^{-0.25}	C	D ^{+0.25}	E ^{-0.3}	PART NO.
9	31.19	16.46	25.00 ^{-0.13}	16.79	6.12	243A13240X
15	39.52	24.79	33.30 ^{-0.15}	25.12	6.12	243A13250X
25	53.42	38.50	47.04 ^{+0.13}	38.84	5.99	243A13260X
37	69.70	54.96	63.50 ^{+0.13}	55.30	5.99	243A13270X



- NOTES:**
- METAL SHELLS: STEEL; min. 320µ" TIN
 - INSULATORS: PBT GF UL 94 V-0, BLACK
 - CONTACTS: COPPER ALLOY
 - PLATING: min. 8µ" HARD GOLD OVER min. 50µ" NICKEL
 - THREADED INSERT: COPPER ALLOY; min. 200µ" TIN over 80µ" NICKEL
 - COLLAR: COPPER ALLOY; min. 200µ" TIN over 80µ" NICKEL
 - CAPACITANCE: 1300pF ±20%
 - DIELECTRIC WITHSTANDING VOLTAGE: 424 VDC
 - MAXIMUM TORQUE VALUE FOR THREAD: 6" LBS
 - CONNECTOR IS PART MARKED: PART-NO. CONEC Y/A/W
 - [] = CRITICAL DIMENSION



DO NOT ALTER CAD DRAWING BY HAND
 OWNERSHIP AND COPYRIGHT OF CONEC GMBH
 WRITTEN PERMISSION
 BE PASSED ON TO A THIRD PARTY WITHOUT
 REPRODUCED IN ANY WAY, AND MAY NOT

tolerance	scale:	2:1 (5:1)
	material:	SEE NOTES
2002	date	
drawn	name	Pareil
appd.	21.05.	E. Mickenbecker
norm	DIN 41652	
e-old		

CONEC
 rev. description date name

title: **D-FILTER ADAPTER**
 9-37pos.
 with threaded insert

dwg no: []
 AutoCAD 2000 DIN-A 3
 sh: 1/1

part no: **24K1A254** SEE TABLE