



Chipsmall Limited consists of a professional team with an average of over 10 year of expertise in the distribution of electronic components. Based in Hongkong, we have already established firm and mutual-benefit business relationships with customers from,Europe,America and south Asia,supplying obsolete and hard-to-find components to meet their specific needs.

With the principle of "Quality Parts,Customers Priority,Honest Operation,and Considerate Service",our business mainly focus on the distribution of electronic components. Line cards we deal with include Microchip,ALPS,ROHM,Xilinx,Pulse,ON,Everlight and Freescale. Main products comprise IC,Modules,Potentiometer,IC Socket,Relay,Connector.Our parts cover such applications as commercial,industrial, and automotives areas.

We are looking forward to setting up business relationship with you and hope to provide you with the best service and solution. Let us make a better world for our industry!



## Contact us

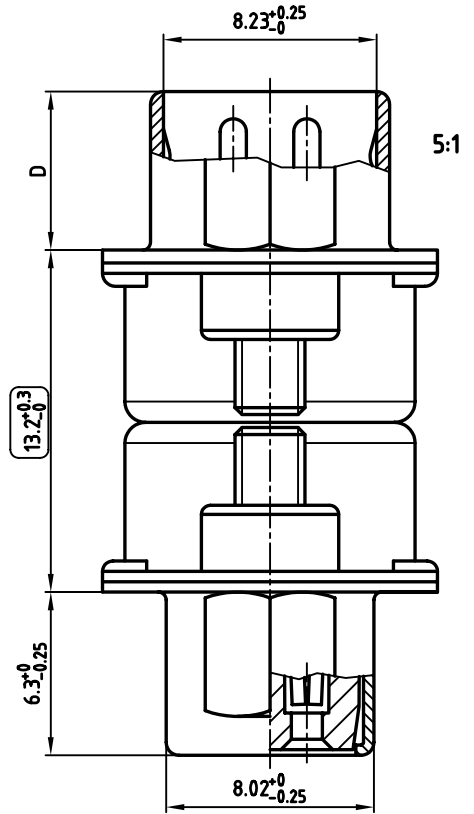
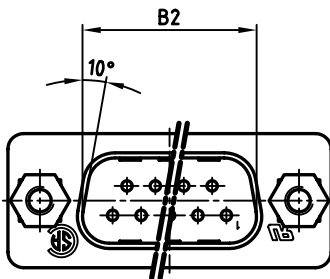
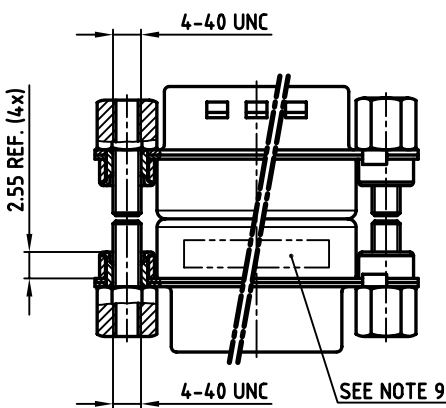
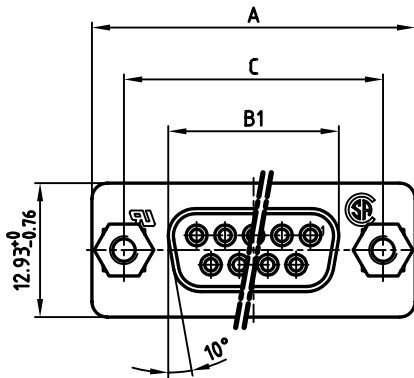
Tel: +86-755-8981 8866 Fax: +86-755-8427 6832

Email & Skype: info@chipsmall.com Web: www.chipsmall.com

Address: A1208, Overseas Decoration Building, #122 Zhenhua RD., Futian, Shenzhen, China



used for: FILTER ADAPTER



| POS. | A <sup>-0.76</sup> | B1 <sup>-0.25</sup> | B2 <sup>+0.25</sup> | C                                | D <sup>-0.3</sup> | Part-No.          |
|------|--------------------|---------------------|---------------------|----------------------------------|-------------------|-------------------|
| 9    | 31.19              | 16.46               | 16.79               | 25.00 <sup>+0.12<br/>-0.13</sup> | 6.12              | <b>243A13560X</b> |
| 15   | 39.52              | 24.79               | 25.12               | 33.30 <sup>+0.15<br/>-0.1</sup>  | 6.12              | <b>243A13570X</b> |
| 25   | 53.42              | 38.50               | 38.84               | 47.04 <sup>±0.13</sup>           | 5.99              | <b>243A13580X</b> |
| 37   | 69.70              | 55.96               | 55.30               | 63.50 <sup>±0.13</sup>           | 5.99              | <b>243A13590X</b> |

**NOTES:**

- METALSHELLS: STEEL; min. 320µ" TIN
- INSULATORS: PBT GF UL 94 V-0, BLACK
- CONTACTS: COPPER ALLOY  
PLATING: 8µ" HARD GOLD OVER min. 50µ" NICKEL
- THREADED INSERT: COPPER ALLOY; min. 200µ" TIN over 80µ" NICKEL
- COLLAR: COPPER ALLOY; min. 200µ" TIN over 80µ" NICKEL
- CAPACITANCE: 1300pF ±20%
- DIELECTRIC WITHSTANDING VOLTAGE: 424VDC
- MAXIMUM TORQUE VALUE FOR THREAD: 6" LBS
- CONNECTOR IS PART MARKED: PART-NO. CONEC ABC
- = CHECK DIMENSION

APPROVAL # FREIGABE # DEBLOCAGE # AUTORIZACION # APPROVAL

CUSTOMER APPROVAL DATE:

NAME: \_\_\_\_\_ TITLE: \_\_\_\_\_

COMPANY NAME: \_\_\_\_\_

APPROVAL # FREIGABE # DEBLOCAGE # AUTORIZACION # APPROVAL

THIS DRAWING MAY NOT BE COPIED OR REPRODUCED IN ANY WAY, AND MAY NOT BE PASSED ON TO A THIRD PARTY, WITHOUT WRITTEN PERMISSION. OWNERSHIP AND COPYRIGHT OF CONEC GmbH DO NOT ALTER CAD DRAWING BY HAND

| rev. | description | date | name |
|------|-------------|------|------|
|      |             |      |      |
|      |             |      |      |
|      |             |      |      |
|      |             |      |      |
|      |             |      |      |
|      |             |      |      |
|      |             |      |      |
|      |             |      |      |
|      |             |      |      |
|      |             |      |      |

|              |                     |
|--------------|---------------------|
| tolerance    |                     |
| 2005         | date                |
| drawn        | 12.10. Lehmenkühler |
| appd.        | 12.10. Mickenbecker |
| norm         | DIN 41652           |
| d-old        |                     |
| <b>CONEC</b> |                     |

scale: 2:1 (5:1)

material: SEE NOTES

title: **FULL METAL LC-FILTER ADAPTER**  
9-37pos.  
with threaded insert and hex bolts

dwg no: AutoCAD 2004 DIN-A  
24K1A706 3  
sh: 1/1

part no: SEE TABLE