



Chipsmall Limited consists of a professional team with an average of over 10 year of expertise in the distribution of electronic components. Based in Hongkong, we have already established firm and mutual-benefit business relationships with customers from,Europe,America and south Asia,supplying obsolete and hard-to-find components to meet their specific needs.

With the principle of “Quality Parts,Customers Priority,Honest Operation,and Considerate Service”,our business mainly focus on the distribution of electronic components. Line cards we deal with include Microchip,ALPS,ROHM,Xilinx,Pulse,ON,Everlight and Freescale. Main products comprise IC,Modules,Potentiometer,IC Socket,Relay,Connector.Our parts cover such applications as commercial,industrial, and automotives areas.

We are looking forward to setting up business relationship with you and hope to provide you with the best service and solution. Let us make a better world for our industry!



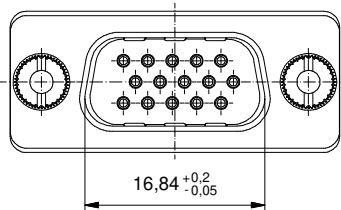
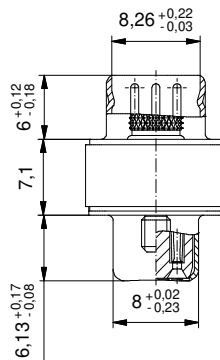
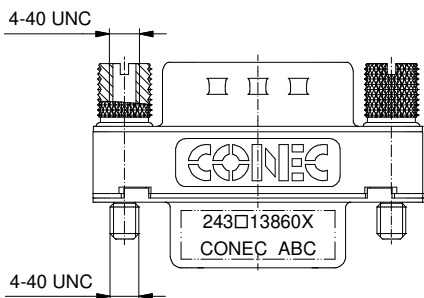
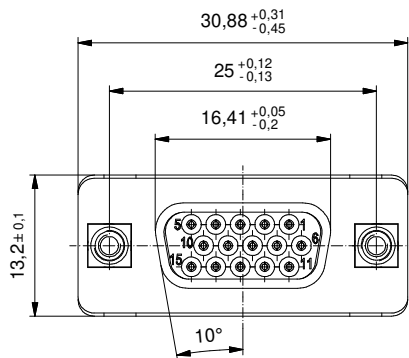
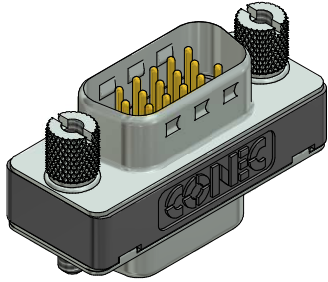
Contact us

Tel: +86-755-8981 8866 Fax: +86-755-8427 6832

Email & Skype: info@chipsmall.com Web: www.chipsmall.com

Address: A1208, Overseas Decoration Building, #122 Zhenhua RD., Futian, Shenzhen, China





Technical specification:

Technische Daten:

Working voltage/ Betriebsspannung:	100 VDC
Current rating/ Strombelastbarkeit:	3 A (UL,VDE) / 2,5 A (CSA)
Insulation resistance/ Isolationswiderstand:	≥ 1 GΩ
Dielectric withstanding voltage/ Spannungsfestigkeit (DWV):	300 VDC
Voltage surge 10/700 μs/ Impulsspannung 10/700 μs:	300 V
Temperature working range/ Umgebungstemperatur:	- 25 °C ... + 85 °C
Mating and unmating forces/ Steck- und Ziehkräfte:	≤ 50 N
Capacitance value/ Kapazitätswert:	830 pF ± 20 %

Materials/

Werkstoffe:

Contact/ Kontakt:	Cu alloy, Au over Ni
Insulator/ Isolierkörper:	PBT GF UL 94 V-0, black/ schwarz
Shells/ Gehäuse:	Fe, Sn over Ni
Threaded Inserts/ Gewindeeinsätze:	Cu alloy, Sn over Ni
Jack Screws/ Rändelschraube:	Cu alloy, Ni

Installation specification/

Montagedaten:

Recommended torque Value for thread/ empfohlenes Drehmoment für Gewinde:	max. 6 in.LB/ max. 67 Ncm
---	------------------------------

Part no. / Part Marked / Art.-Nr. / Bedruckung:	Quality class/ Gütestufe:	Contact plating / Kontakt Veredelung:
243A13860X	3	Gold Flash over Nickel Gold über Nickel
243B13860X	2	20 μin hard Gold over min. 50 μin Nickel 20 μin Gold über min. 50 μin Nickel
243C13860X	1	30 μin hard Gold over min. 50 μin Nickel 30 μin Gold über min. 50 μin Nickel

dim. in mm		D-SUB HD LC-Filter Adapter 15pos. with jack screw 4-40 UNC D-SUB HD LC-Filter Adapter 15pol. mit Rändelschraube 4-40 UNC		
drawn/ gez.	Date/Datum			Name
appd./ gepr.	03.11.16			Fischer
Index: Original	scale/Maßstab:		dwg no / Z.-nr.:	
Status: InBearbeitung	2:1		24K1A1726	
RoHS & REACH compliant/ konform			DIN-A3	
			1 / 1	

The reproduction, distribution and utilization of this document as well as the communication of its contents to third parties without express authorization is prohibited. Offenders will be held liable for the payment of damages. Wir bitten Sie, die Weitergabe dieses Dokuments an Dritte ohne unsere schriftliche Genehmigung zu unterlassen. Zuwiderhandlungen werden mit Schadenersatz geahndet.