



Chipsmall Limited consists of a professional team with an average of over 10 year of expertise in the distribution of electronic components. Based in Hongkong, we have already established firm and mutual-benefit business relationships with customers from,Europe,America and south Asia,supplying obsolete and hard-to-find components to meet their specific needs.

With the principle of "Quality Parts,Customers Priority,Honest Operation,and Considerate Service",our business mainly focus on the distribution of electronic components. Line cards we deal with include Microchip,ALPS,ROHM,Xilinx,Pulse,ON,Everlight and Freescale. Main products comprise IC,Modules,Potentiometer,IC Socket,Relay,Connector.Our parts cover such applications as commercial,industrial, and automotives areas.

We are looking forward to setting up business relationship with you and hope to provide you with the best service and solution. Let us make a better world for our industry!



Contact us

Tel: +86-755-8981 8866 Fax: +86-755-8427 6832

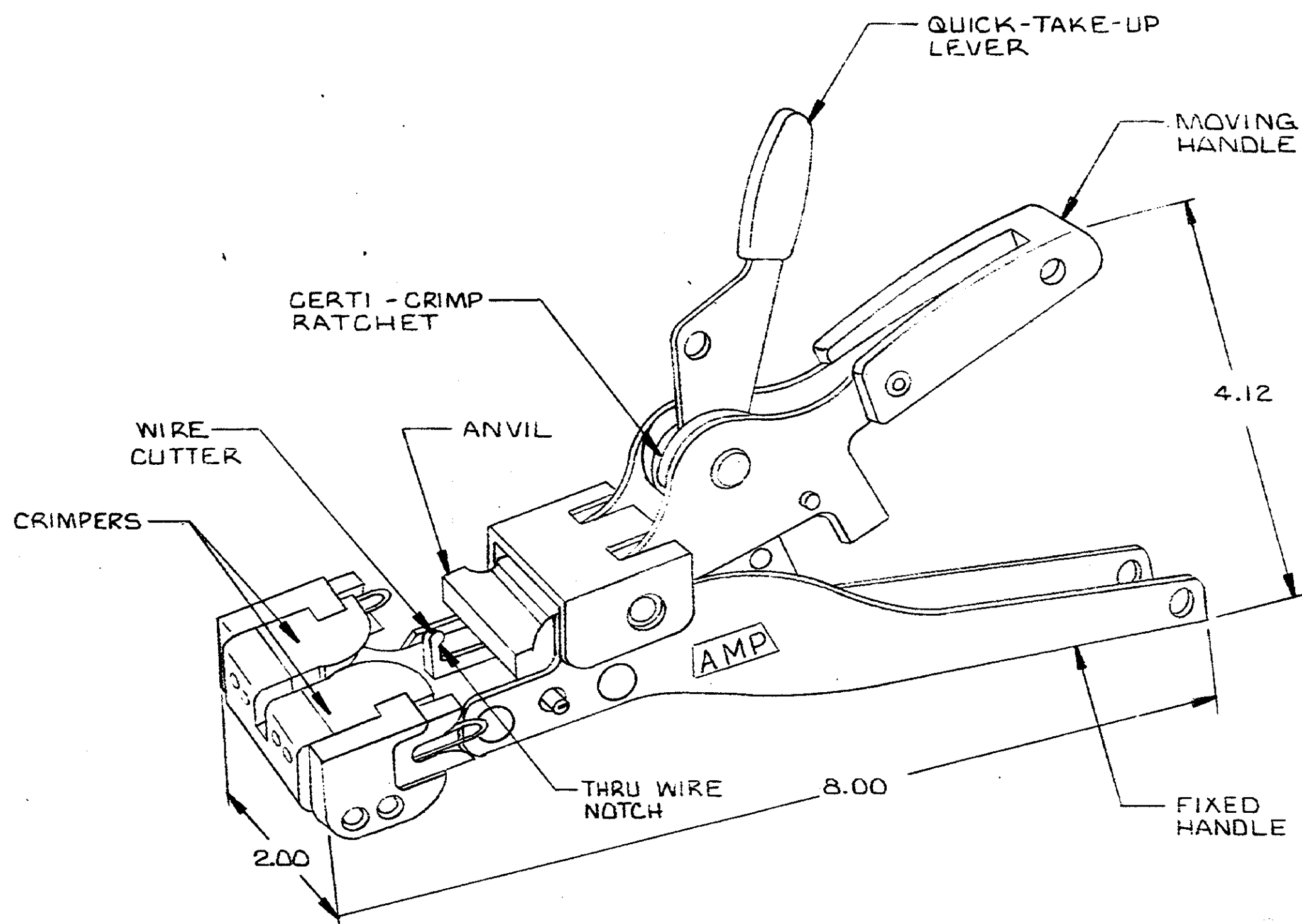
Email & Skype: info@chipsmall.com Web: www.chipsmall.com

Address: A1208, Overseas Decoration Building, #122 Zhenhua RD., Futian, Shenzhen, China

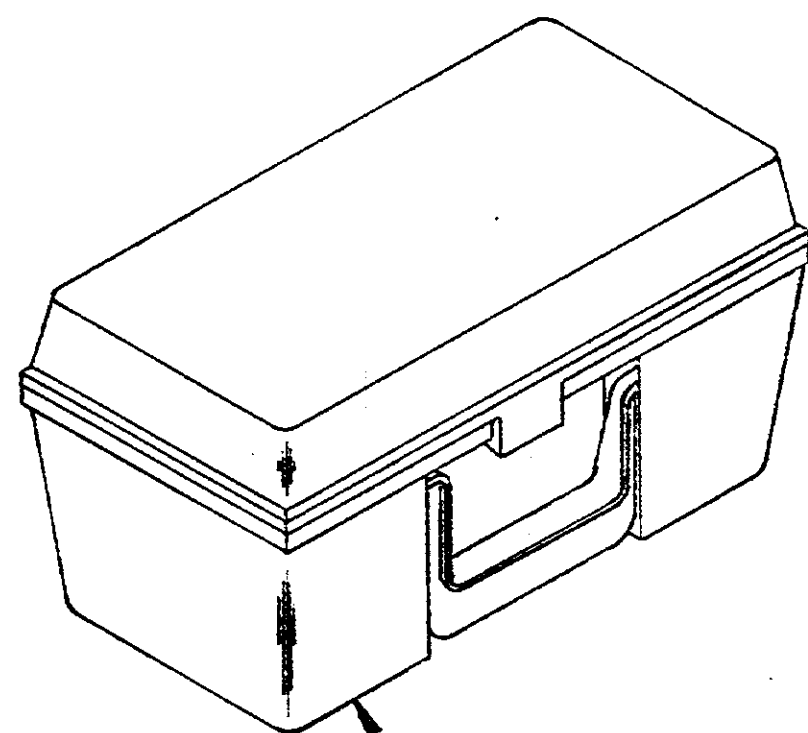


© COPYRIGHT 1980 BY AMP INCORPORATED, HARRISBURG, PA. ALL INTERNATIONAL RIGHTS RESERVED. AMP INCORPORATED PRODUCTS COVERED BY U. S. AND FOREIGN PATENTS AND/OR PATENTS PENDING.

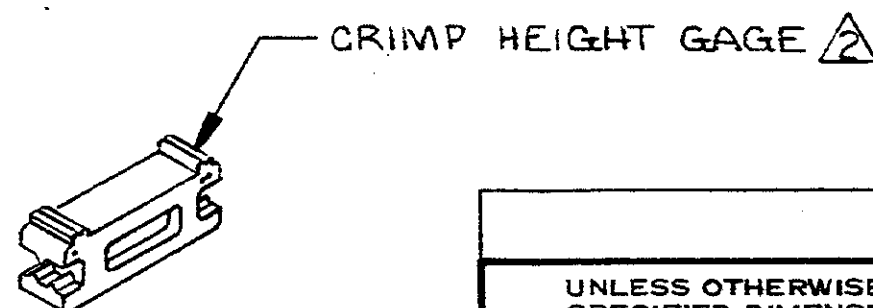
REVISIONS						
P	F	ZONE	LTR	DESCRIPTION	DATE	APPROVED
✓	✓		A	SUPSD -2, ECN AA-1660	5-4-82	KS mt



1. ALL DIMENSIONS ARE FOR REFERENCE ONLY UNLESS OTHERWISE SPECIFIED.
 2. 45 INCHES OF BLACK NYLON CORD FURNISHED FOR CRIMP HEIGHT GAGE.



VS-3 CARRYING CASE



CRIMP HEIGHT GAGE

VS-3 STANDARD PICABOND WITH TOOL HOLDER	244271-5
VS-3 MINI-PICABOND	244271-3
SUPERSEDED BY VS-3 STANDARD PICABOND FOR MILITARY USE	244271-2
244271-1	VS-3 STANDARD PICABOND
244271-1	244271-1
DESCRIPTION	PART NO

UNLESS OTHERWISE SPECIFIED DIMENSIONS ARE IN INCHES. TOLERANCES ON: DECIMALS ± # ANGLES ± #	CONTRACT NO	AMP INCORPORATED Harrisburg, Pa.		
	DR <i>[Signature]</i> 11-11-80			
	MATERIAL #	NAME		
	FINISH #	KIT, TOOL, HAND, VS-3		
	CHK <i>[Signature]</i> 11/11/80	SIZE	CODE IDENT NO	DRAWING NO
	APPD <i>[Signature]</i> 11/11/80	C	00779	244271
	APPD <i>[Signature]</i> 11/11/80	SCALE	1/1	SHEET 1 OF 1
	OSGN APPD			
	OTHER APPD			

244271