



Chipsmall Limited consists of a professional team with an average of over 10 year of expertise in the distribution of electronic components. Based in Hongkong, we have already established firm and mutual-benefit business relationships with customers from,Europe,America and south Asia,supplying obsolete and hard-to-find components to meet their specific needs.

With the principle of "Quality Parts,Customers Priority,Honest Operation,and Considerate Service",our business mainly focus on the distribution of electronic components. Line cards we deal with include Microchip,ALPS,ROHM,Xilinx,Pulse,ON,Everlight and Freescale. Main products comprise IC,Modules,Potentiometer,IC Socket,Relay,Connector.Our parts cover such applications as commercial,industrial, and automotives areas.

We are looking forward to setting up business relationship with you and hope to provide you with the best service and solution. Let us make a better world for our industry!



## Contact us

Tel: +86-755-8981 8866 Fax: +86-755-8427 6832

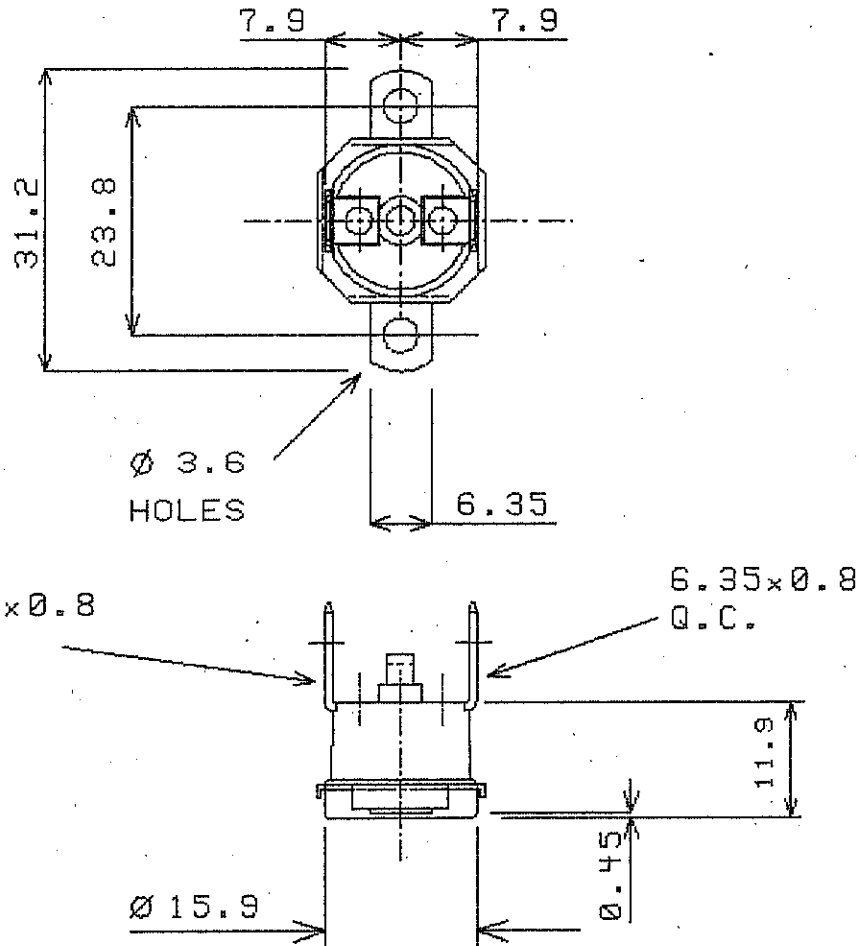
Email & Skype: info@chipsmall.com Web: www.chipsmall.com

Address: A1208, Overseas Decoration Building, #122 Zhenhua RD., Futian, Shenzhen, China



DO NOT SCALE ALL DIMENSIONS ARE FOR REFERENCE ONLY

OPERATING CRITERIA



VOLTS: 240      AMPS: 10      HZ:

OPERATING TEMPS. DEG.C

OPEN: 80 ± 5

CLOSE: MR

NOTE! ORIENTATION OF BRACKET IS NOT FIXED

CODING REQUIREMENTS

COLOUR: SILVER OR WHITE  
L80C 98 640      XXX

CAP: B200      MAT'L: ALUMINIUM  
BRK'T: B203S      MAT'L: STEEL  
PLATING: NICKEL  
TERMINAL: T147      T147

ISSUE									
MOD No									
MTH/YR									
ELMWOOD DEVICE & UNIQUE PART No							ELMWOOD DRG No.		ISSUE
2455RM-98-640							905342		
ELMWOOD							DATE OF ISSUE STAMP		