



Chipsmall Limited consists of a professional team with an average of over 10 year of expertise in the distribution of electronic components. Based in Hongkong, we have already established firm and mutual-benefit business relationships with customers from,Europe,America and south Asia,supplying obsolete and hard-to-find components to meet their specific needs.

With the principle of "Quality Parts,Customers Priority,Honest Operation,and Considerate Service",our business mainly focus on the distribution of electronic components. Line cards we deal with include Microchip,ALPS,ROHM,Xilinx,Pulse,ON,Everlight and Freescale. Main products comprise IC,Modules,Potentiometer,IC Socket,Relay,Connector.Our parts cover such applications as commercial,industrial, and automotives areas.

We are looking forward to setting up business relationship with you and hope to provide you with the best service and solution. Let us make a better world for our industry!



Contact us

Tel: +86-755-8981 8866 Fax: +86-755-8427 6832

Email & Skype: info@chipsmall.com Web: www.chipsmall.com

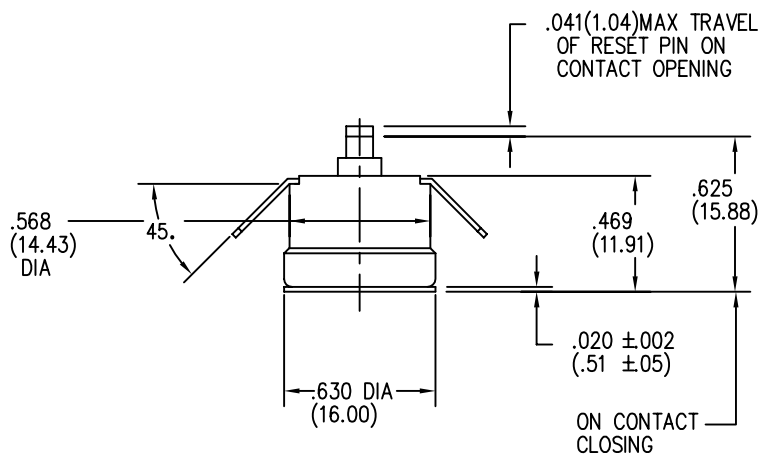
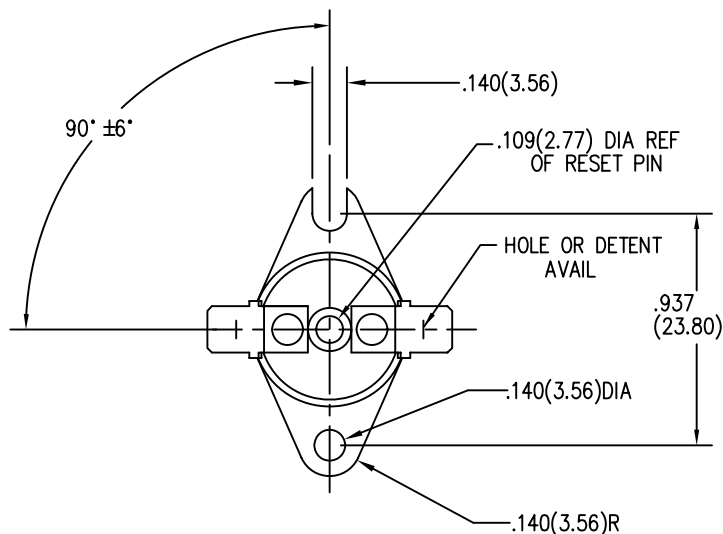
Address: A1208, Overseas Decoration Building, #122 Zhenhua RD., Futian, Shenzhen, China



HONEYWELL
PART NUMBER

-

REV	DOCUMENT	CHANGED BY	CHECK
A	0042617	SS 02SEP08	BLR



A	DESIGN UNITS:	INCH [MM]
	TOLERANCES UNLESS NOTED:	
	NO PLACE	X ±
	ONE PLACE	.X ±
	TWO PLACE	.XX ±
	THREE PLACE	.XXX ±
	ANGLES	X ±
		0.015
THIRD ANGLE PROJECTION		

DRAWN	DJD	24MAR97
CHECK	MF	24MAR97
THIS DRAWING COVERS A PROPRIETARY ITEM AND IS THE PROPERTY OF HONEYWELL. THIS DRAWING IS NOT TO BE COPIED OR USED WITHOUT THE PERMISSION OF HONEYWELL.		
INTERPRET PER ASME Y14.5M-1994 OTHER HONEYWELL ENGINEERING STANDARDS MAY APPLY		
AUTOCAD		

Honeywell				
TITLE THERMOSTAT SPST				
SIZE	TYPE	CAGE CODE	DRAWING NAME	REV
A	E	14604	2455RM501	A
SCALE	NTS	SHEET		1 OF 1