



Chipsmall Limited consists of a professional team with an average of over 10 year of expertise in the distribution of electronic components. Based in Hongkong, we have already established firm and mutual-benefit business relationships with customers from,Europe,America and south Asia,supplying obsolete and hard-to-find components to meet their specific needs.

With the principle of “Quality Parts,Customers Priority,Honest Operation,and Considerate Service”,our business mainly focus on the distribution of electronic components. Line cards we deal with include Microchip,ALPS,ROHM,Xilinx,Pulse,ON,Everlight and Freescale. Main products comprise IC,Modules,Potentiometer,IC Socket,Relay,Connector.Our parts cover such applications as commercial,industrial, and automotives areas.

We are looking forward to setting up business relationship with you and hope to provide you with the best service and solution. Let us make a better world for our industry!



## Contact us

Tel: +86-755-8981 8866 Fax: +86-755-8427 6832

Email & Skype: info@chipsmall.com Web: www.chipsmall.com

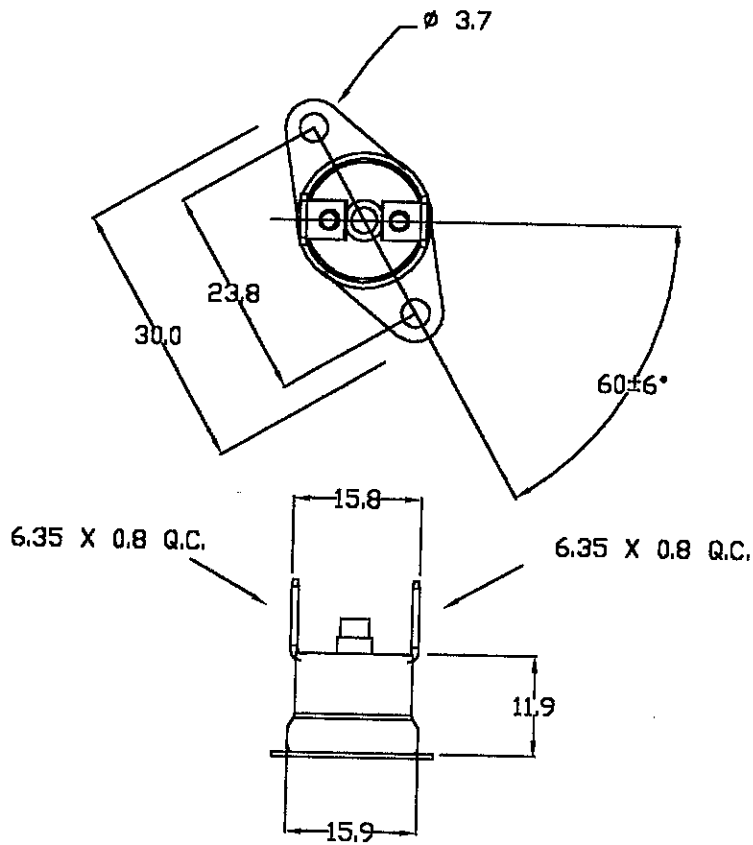
Address: A1208, Overseas Decoration Building, #122 Zhenhua RD., Futian, Shenzhen, China



ALL DIMENSIONS ARE FOR REFERENCE ONLY

DO NOT SCALE DRAWING

ALL DIMENSIONS IN mm UNLESS STATED.



OPERATING CRITERIA	
VOLTS;	250VAC
AMPS;	13A
OPERATING CRITERIA	
OPEN;	120±5°C
CLOSE;	MR

SPECIAL ARRANGEMENTS
BLUE SPOT
NOTE:- CODING TO SUIT MANUFACTURING SITE

ISSUE MOD No. MTH/YR	A 3641 01/01			
ELMWOOD DEVICE & UNIQUE PART NUMBER	DATE OF ISSUE STAMP			
2455RM-9082-471(UK)	15/01/2001			
2455RM-7082-471(CHINA)				
<b>Elmwood Sensors</b>	ELMWOOD DRG No.	ISSUE		
	965185	A		

DRAWN BY,  
G.D.

CODING REQUIREMENTS	CAP;	MAT'L;
COLOUR; WHITE	BRK'T; B201A	MAT'L; ST/STEEL
L120C		PLATING;
9082-471-UXX	TERMINAL;	T147
7082-471-ZXX	MATERIAL;	BRASS
(XXX = DATE CODING)	PLATING;	NICKEL