



Chipsmall Limited consists of a professional team with an average of over 10 year of expertise in the distribution of electronic components. Based in Hongkong, we have already established firm and mutual-benefit business relationships with customers from,Europe,America and south Asia,supplying obsolete and hard-to-find components to meet their specific needs.

With the principle of “Quality Parts,Customers Priority,Honest Operation,and Considerate Service”,our business mainly focus on the distribution of electronic components. Line cards we deal with include Microchip,ALPS,ROHM,Xilinx,Pulse,ON,Everlight and Freescale. Main products comprise IC,Modules,Potentiometer,IC Socket,Relay,Connector.Our parts cover such applications as commercial,industrial, and automotives areas.

We are looking forward to setting up business relationship with you and hope to provide you with the best service and solution. Let us make a better world for our industry!



Contact us

Tel: +86-755-8981 8866 Fax: +86-755-8427 6832

Email & Skype: info@chipsmall.com Web: www.chipsmall.com

Address: A1208, Overseas Decoration Building, #122 Zhenhua RD., Futian, Shenzhen, China



DO NOT SCALE ALL DIMENSIONS ARE FOR REFERENCE ONLY

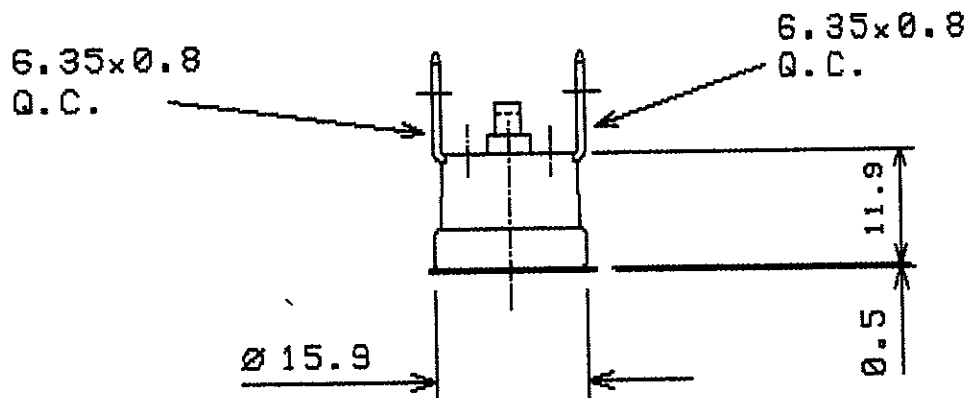
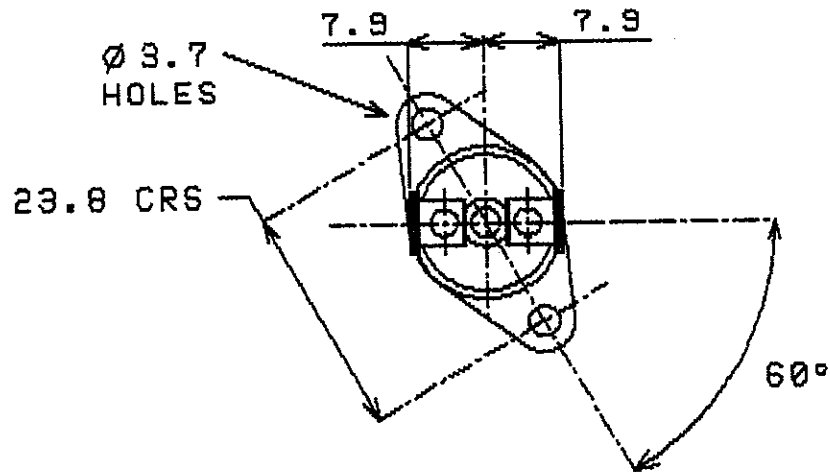
OPERATING CRITERIA


VOLTS: 250 AMPS: 13 HZ:

OPERATING TEMPS. DEG. C

OPEN: 150 ± 5

CLOSE: MR



ISSUE										
MOD No										
MTH/YR										
ELMWOOD DEVICE & UNIQUE PART No.							ELMWOOD DRG No.		ISSUE	
2455RM-9082-472							965184			
			ELMWOOD				DATE OF		STAMP	
			SENSORS LTD				30			

CODING REQUIREMENTS

COLOUR: SILVER OR WHITE
L150C 9082 472 XXX

CAP: MAT'L:
BRK'T: B201A13 MAT'L: ST/STEEL
PLATING:
TERMINAL: T147 T147
MATERIAL: BRASS BRASS
PLATING: NICKEL NICKEL