



Chipsmall Limited consists of a professional team with an average of over 10 year of expertise in the distribution of electronic components. Based in Hongkong, we have already established firm and mutual-benefit business relationships with customers from,Europe,America and south Asia,supplying obsolete and hard-to-find components to meet their specific needs.

With the principle of “Quality Parts,Customers Priority,Honest Operation,and Considerate Service”,our business mainly focus on the distribution of electronic components. Line cards we deal with include Microchip,ALPS,ROHM,Xilinx,Pulse,ON,Everlight and Freescale. Main products comprise IC,Modules,Potentiometer,IC Socket,Relay,Connector.Our parts cover such applications as commercial,industrial, and automotives areas.

We are looking forward to setting up business relationship with you and hope to provide you with the best service and solution. Let us make a better world for our industry!



Contact us

Tel: +86-755-8981 8866 Fax: +86-755-8427 6832

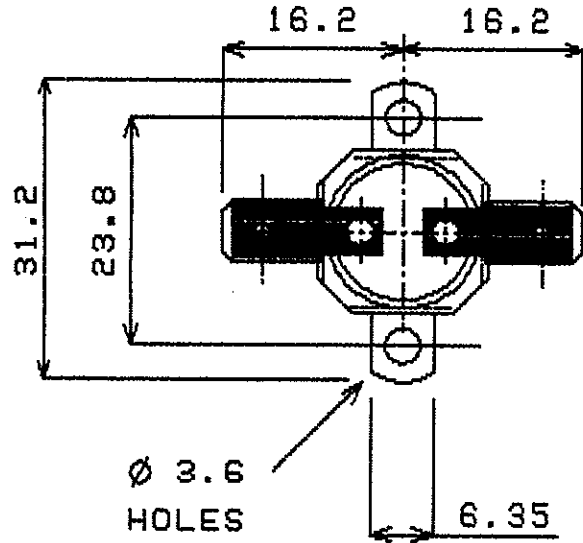
Email & Skype: info@chipsmall.com Web: www.chipsmall.com

Address: A1208, Overseas Decoration Building, #122 Zhenhua RD., Futian, Shenzhen, China



DO NOT SCALE ALL DIMENSIONS ARE FOR REFERENCE ONLY

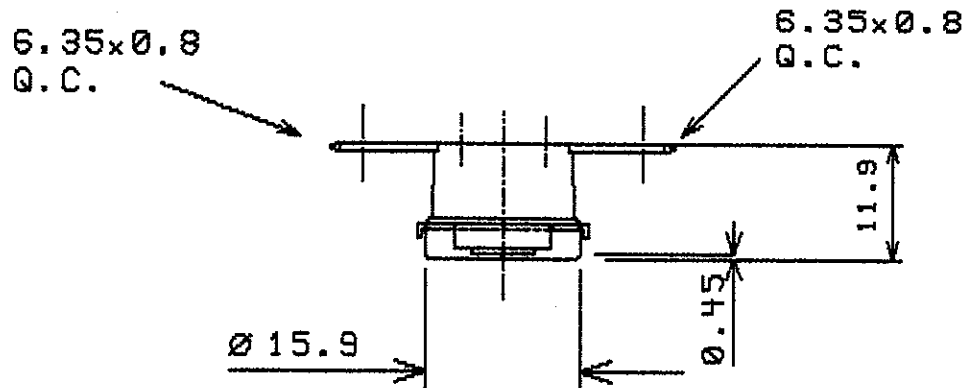
OPERATING CRITERIA



VOLTS; 240 AMPS; 10 HZ;

OPERATING TEMPS. DEG. C

OPEN; 25 ± 3
CLOSE; 15 ± 4



NOTE: ORIENTATION OF BRACKET IS NOT FIXED

ISSUE	A	B								
MOD No	2052	2250								
MTH/YR	3/97	7/98								

CODING REQUIREMENTS

COLOUR; LASER CODE
L25C RP 9100 431 XXX

(XXX = DATE CODING)

CAP; 6200 MAT'L; ALUMINIUM
BRK'T; B2036 MAT'L; STEEL
..... PLATING; NICKEL
TERMINAL; T146 T146
MATERIAL; BRASS BRASS
PLATING;

ELMWOOD DEVICE & UNIQUE PART No.
2455RP-9100-431

ELMWOOD DRG No. ISSUE
965199 B



ELMWOOD
SENSORS LTD

DATE OF ISSUE STAMP
7 JUN 1998