



Chipsmall Limited consists of a professional team with an average of over 10 year of expertise in the distribution of electronic components. Based in Hongkong, we have already established firm and mutual-benefit business relationships with customers from,Europe,America and south Asia,supplying obsolete and hard-to-find components to meet their specific needs.

With the principle of “Quality Parts,Customers Priority,Honest Operation,and Considerate Service”,our business mainly focus on the distribution of electronic components. Line cards we deal with include Microchip,ALPS,ROHM,Xilinx,Pulse,ON,Everlight and Freescale. Main products comprise IC,Modules,Potentiometer,IC Socket,Relay,Connector.Our parts cover such applications as commercial,industrial, and automotives areas.

We are looking forward to setting up business relationship with you and hope to provide you with the best service and solution. Let us make a better world for our industry!



Contact us

Tel: +86-755-8981 8866 Fax: +86-755-8427 6832

Email & Skype: info@chipsmall.com Web: www.chipsmall.com

Address: A1208, Overseas Decoration Building, #122 Zhenhua RD., Futian, Shenzhen, China



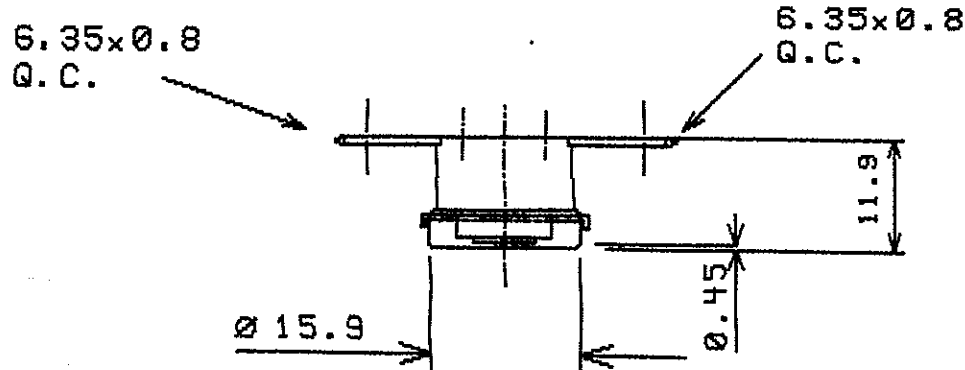
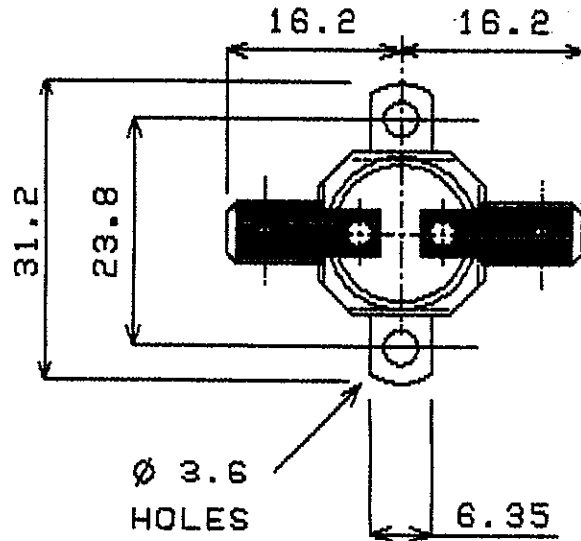
DO NOT SCALE ALL DIMENSIONS ARE FOR REFERENCE ONLY

OPERATING CRITERIA

VOLTS: 240 AMPS: 10 HZ:

OPERATING TEMPS. DEG. C

OPEN: 30 ± 3
 CLOSE: 20 ± 4



NOTE! ORIENTATION OF BRACKET IS NOT FIXED

ISSUE	A	B							
MOD No	2052	2350							
MTH/YR	3/97	7/98							

CODING REQUIREMENTS
 COLOUR: LASER CODE
 L30C RP 9100 432 XXX

(XXX = DATE CODING)

CAP: 8200 MAT'L: ALUMINIUM
 BRK'T: B2036 MAT'L: STEEL
 PLATING: NICKEL
 TERMINAL: T146 T146
 MATERIAL: BRASS BRASS
 PLATING:

ELMWOOD DEVICE & UNIQUE PART No.
 2455RP-9100-432

ELMWOOD DRG No. ISSUE
 965200 B

E ELMWOOD
 SENSORS LTD

DATE OF ISSUE STAMP
 7 JUL 1998