



Chipsmall Limited consists of a professional team with an average of over 10 year of expertise in the distribution of electronic components. Based in Hongkong, we have already established firm and mutual-benefit business relationships with customers from,Europe,America and south Asia,supplying obsolete and hard-to-find components to meet their specific needs.

With the principle of “Quality Parts,Customers Priority,Honest Operation,and Considerate Service”,our business mainly focus on the distribution of electronic components. Line cards we deal with include Microchip,ALPS,ROHM,Xilinx,Pulse,ON,Everlight and Freescale. Main products comprise IC,Modules,Potentiometer,IC Socket,Relay,Connector.Our parts cover such applications as commercial,industrial, and automotives areas.

We are looking forward to setting up business relationship with you and hope to provide you with the best service and solution. Let us make a better world for our industry!



Contact us

Tel: +86-755-8981 8866 Fax: +86-755-8427 6832

Email & Skype: info@chipsmall.com Web: www.chipsmall.com

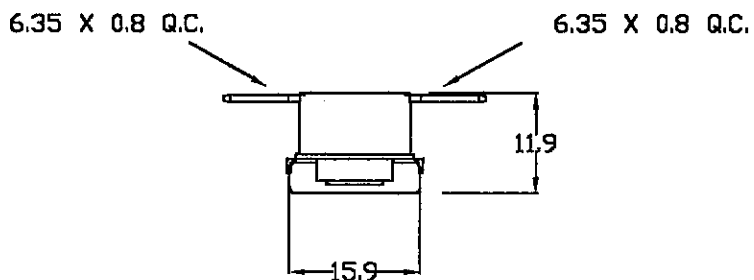
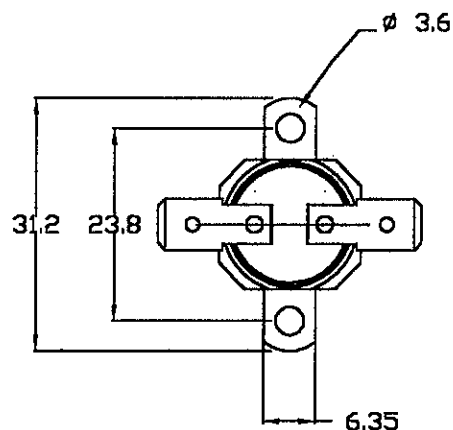
Address: A1208, Overseas Decoration Building, #122 Zhenhua RD., Futian, Shenzhen, China



ALL DIMENSIONS ARE FOR REFERENCE ONLY

DO NOT SCALE DRAWING

ALL DIMENSIONS IN mm UNLESS STATED.



OPERATING CRITERIA

VOLTS; 240VAC
 AMPS; 10A

OPERATING CRITERIA

OPEN; 100±4°C
 CLOSE; 85±5°C

SPECIAL ARRANGEMENTS

PURPLE SPOT

NOTE:-
 CODING TO SUIT MANUFACTURING SITE

NOTE:- ORIENTATION OF BRACKET IS NOT FIXED

DRAWN BY;
 G.D.

ISSUE MOD No. MTH/YR	A 3052 03/97	B 3358 07/98	C 3640 01/01	
-------------------------	--------------------	--------------------	--------------------	--

CODING REQUIREMENTS
 COLOUR; WHITE
 L100C
 9100-438-UXX
 7100-438-ZXX
 (XXX = DATE CODING)

CAP;	MAT'L;	BRK'T;	B203S	MAT'L;	STEEL
		PLATING;		PLATING;	NICKEL
TERMINAL;	T146	MATERIAL;	BRASS	PLATING;	-

ELMWOOD DEVICE & UNIQUE PART NUMBER
 2455RP-9100-438(UK)
 2455RP-7100-438(CHINA)

DATE OF ISSUE STAMP
 18 JAN 2001



ELMWOOD DRG No.
 965206

ISSUE
 C