



Chipsmall Limited consists of a professional team with an average of over 10 year of expertise in the distribution of electronic components. Based in Hongkong, we have already established firm and mutual-benefit business relationships with customers from,Europe,America and south Asia,supplying obsolete and hard-to-find components to meet their specific needs.

With the principle of “Quality Parts,Customers Priority,Honest Operation,and Considerate Service”,our business mainly focus on the distribution of electronic components. Line cards we deal with include Microchip,ALPS,ROHM,Xilinx,Pulse,ON,Everlight and Freescale. Main products comprise IC,Modules,Potentiometer,IC Socket,Relay,Connector.Our parts cover such applications as commercial,industrial, and automotives areas.

We are looking forward to setting up business relationship with you and hope to provide you with the best service and solution. Let us make a better world for our industry!



## Contact us

Tel: +86-755-8981 8866 Fax: +86-755-8427 6832

Email & Skype: info@chipsmall.com Web: www.chipsmall.com

Address: A1208, Overseas Decoration Building, #122 Zhenhua RD., Futian, Shenzhen, China





**Schroff®**

# MAIN CATALOG

Overview ..... 0

Cabinets ..... 1

Wall mounted cases ..... 2

Accessories for cabinets and wall mounted cases 3

Climate control 4

**Desk-top cases 5**

Subracks/ 19" chassis ... 6

Front panels, plug-in units .. 7

Systems ..... 8

Power supply units ..... 9

Backplanes .. 10

Connectors, front panel component system ..... 11

Appendix .... 12

**Desk-top cases**

***ratiopac PRO***

The universal case with 19" compatible dimensions e.g. for CompactPCI and VME64x applications

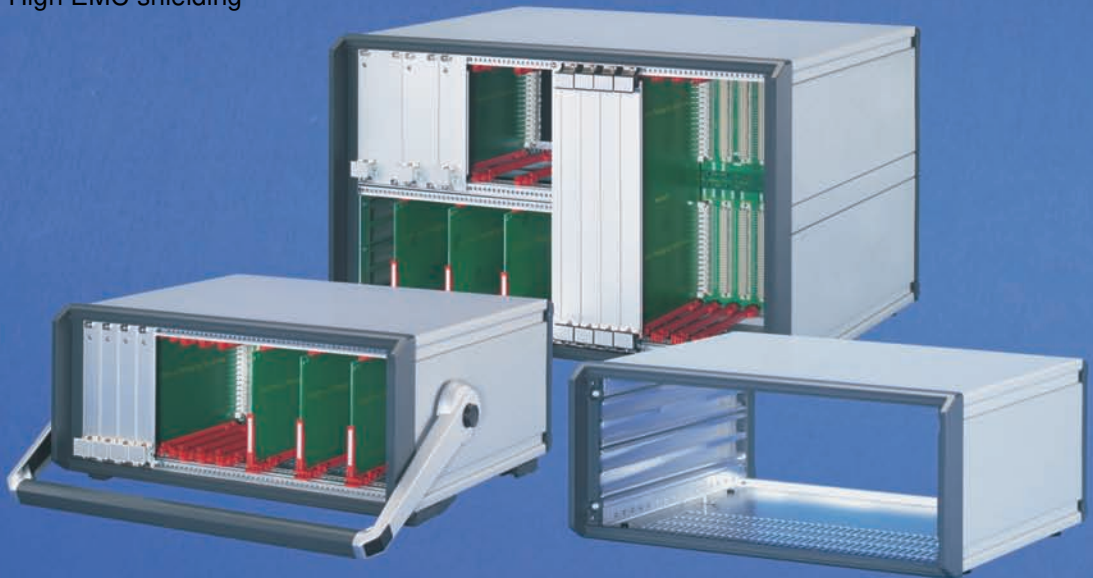
- Aluminium case
- Height 2 ... 7 U
- High EMC shielding



***propac PRO***

The robust case for 19" compatible or custom electronics assemblies

- Aluminium case with aluminium frame front
- Height 2 ... 6 U
- High EMC shielding



361009005 (12304003 10005004 05802001 06803006 05809001)

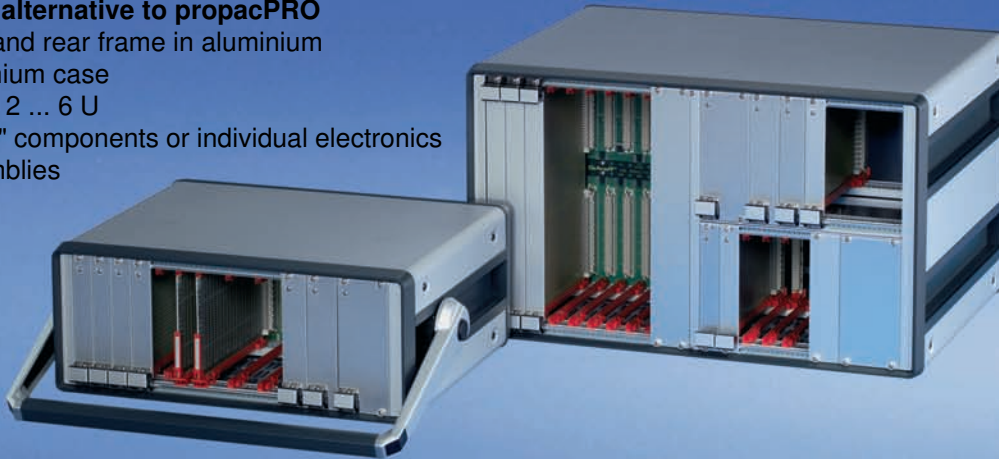
## Desk-top cases

### **compacPRO**

Desk-top or portable case

Design alternative to propacPRO

- Front and rear frame in aluminium
- Aluminium case
- Height 2 ... 6 U
- For 19" components or individual electronics assemblies



### **comptec**

Case to house

19" subracks or 19" chassis

- Case with aluminium frame to front and rear
- High stability
- Height 3 ... 12 U
- Identical front and rear
- Internal mounting up to 40 kg
- Protection class IP 20

### **Accessories**



Overview .... 5.0

Introduction .. 5.2

ServicePLUS .. 5.4

ratiopacPRO .. 5.6

propacPRO ... 5.44

compacPRO .. 5.76

comptec ..... 5.100

#### Accessories

Handles ..... 5.108

Strap handles ... 5.111

Tip-up carrying handles ..... 5.112

Folding handles 5.113

Tray handles ... 5.114

Feet ..... 5.115

ServicePLUS .. 5.4

## Desk-top cases – Introduction

### Case types: Desk-top enclosure/19" case



Desk-top enclosure,  
ratiopacPRO

01810002



19" case, comptec

02202004

#### Desk-top enclosures

Our desk-top cases are used to house PCBs (euroboards) or individual components

The choice is yours:

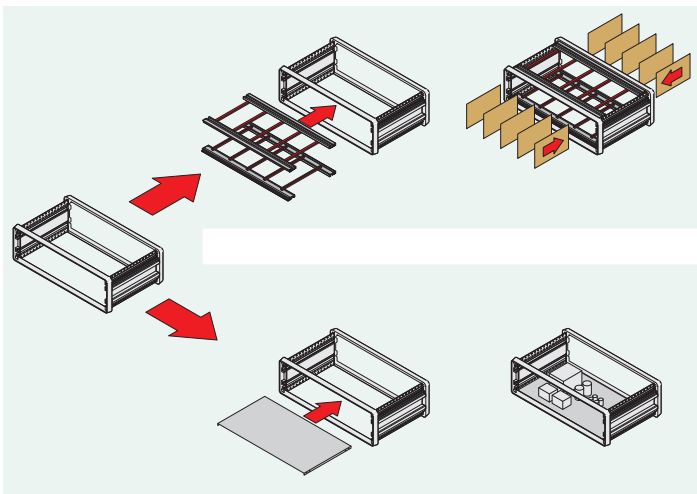
- ratiopacPRO, the universal case with 19" compatible dimensions and high EMC shielding, e.g. for CompactPCI and VME64x applications
- propacPRO, the robust case with high EMC shielding for 19"-compatible or custom electronics assemblies
- compacPRO, Desk-top or portable case for unshielded applications

#### 19" cases

Our comptec cases are comparable with small cabinets and are used to house 19" components such as subracks, 19" fan trays or 19" front panels

All desk-top enclosures have a very low weight owing to the materials used and are also suitable for mobile use

### Applications for desk-top enclosures



Example above: for euroboards, below: for individual installation

#### The most important user domains for desk-top enclosures are:

- Fitting with euroboards in accordance with IEC 60297



- Fitting with individual electrical or mechanical components, e.g. on mounting plates



### One product platform and extensive accessories



05806008



05806006



02005003



02005006

- Practical technology without time-consuming assembly. The modular product platform of these cases allows a wide range of possible uses with only a small number of components.

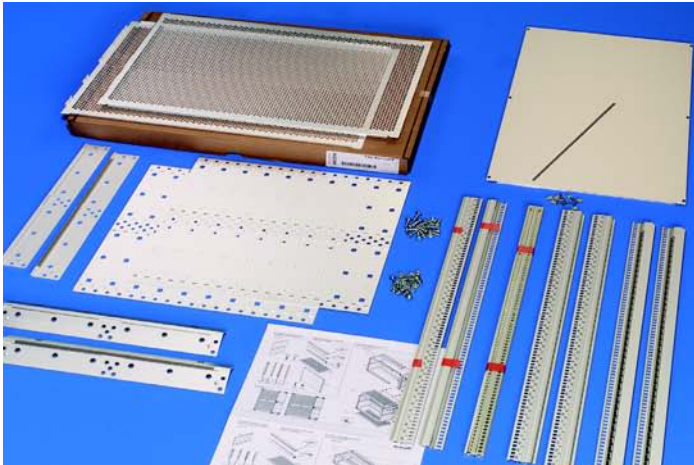
The intelligent design of all components results in an astonishingly quick and easy assembly of the components.

With our PRO product platform we offer you full compatibility of all individual components and accessories, also with our europacPRO subracks.

Standard desk-top enclosures can also be adapted easily and with little effort for mobile applications.

# Desk-top cases – Introduction

## Forms of delivery for desk-top enclosures



Flat pack delivery to save space

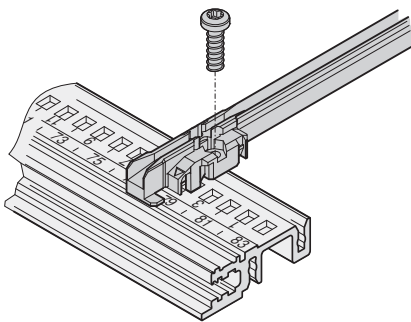
Supplied in space-saving packs. Simply unpack parts and screw together - done.

Depending on the kit chosen the threaded insert, the perforated rail or the EMC gasket is pre-assembled on the horizontal rail.

We offer you three forms of delivery:

- Pre-assembled kit for use with 160 mm deep euroboards, frame fitted, cladding parts and guide rails supplied loose.
- Pre-assembled kit for individual configuration, frame assembled, cladding parts supplied loose.
- Ready assembled cases to your specifications. With our ServicePLUS option you can order ready-assembled cases, with drilled holes and cut-outs and individual front panels - if necessary even by express service.

## Guide rail



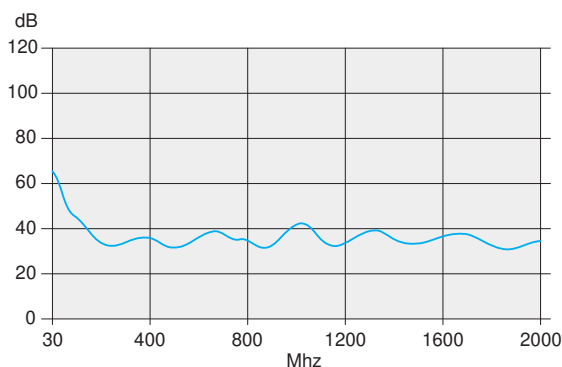
06108084

- Guide rails form the interface between the mechanics of the case and the electronics assembled (PCBs, plug-in units, frame type plug-in units, drive unit modules, etc.).

Robust snap-in fixings on the plastic rails assure that the components are held securely, even when exposed to vibrations.

Guide rails can also be screwed on.

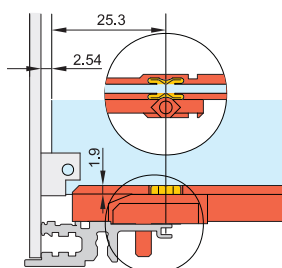
## EMC and ESD



06108081

Shielding

- Our case product platforms offer standard solutions for achieving electromagnetic compatibility (EMC) and to avoid electrostatic interference (ESD)
- Shielding on the front and rear of the case is effected by front panels with EMC gaskets
- To prevent electrostatic discharge when inserting PCBs, ESD contacts are clipped into the guide rails. These provide a conductive connection between board and case earth/ground
- Test reports are available on our website [www.schroff.biz](http://www.schroff.biz) for download



04503050

Position of the ESD clip

## Desk-top cases – ServicePLUS



### configuration

Components can be varied and combined freely

### Simple. Fast. For the product you want.

- Online configuration: [www.schroff.co.uk/configuration](http://www.schroff.co.uk/configuration)



### assembly

Fitting of all mechanical, electrical and electronic components by our specialists

### Assembled by professionals. Double benefit!

- Professional and reliable, without extra costs
- Ready for despatch within 10 working days



### modification

Custom drillings, cut-outs and special colours for off-the-shelf products

### Small changes. Large impact.

- CAD data are available for you to download and further modify from our website [www.schroff.biz](http://www.schroff.biz)
- Ready for despatch within 10 working days



### solution

Integration and custom developments

### Simple. Fast. From one source.

- Flowtherm simulation to calculate heat paths; verification in our own climate lab
- Special sizes, custom solutions



### express

Delivery time to customer's request

### When fast has to be faster.

- ServicePLUS assembly ready for despatch within 10 working days
- ServicePLUS modification and ServicePLUS solution ready for despatch within 15 working days



### academy

Knowledge transfer and partnership

### Knowledge. Sharing. Partnerships.

- Seminars held centrally or at your site.
- CAD drawings, test reports, user manuals

## Desk-top cases – ServicePLUS

### Application examples



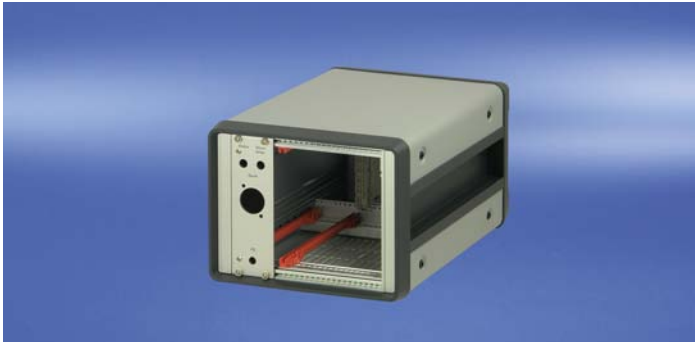
01809001

Application: ratiopacPRO-air case in special colour, shielded board cage, filter mat top and bottom



01809003

Application: ratiopacPRO-air case with processed front and rear panels



02009001

Application: compactPRO case, modified



02009003

Application: compactPRO case with fitted horizontal rail with lip and hinged front panel



02009002

Application: compactPRO case with fitted horizontal rail with lip and folding front panel



02009004

Application: compactPRO with tip-up carrying handle and front panel (without visible screws)



02109001

Application: inpac case with hinged and modified front and rear panels



05809005

Application: propacPRO, EMC case in special colour with mounting plates for individual construction



Overview ..... 0

Cabinets ..... 1

Wall mounted cases ..... 2

Accessories for cabinets and wall mounted cases 3

Climate control 4

**Desk-top cases 5**

Subracks/ 19" chassis ... 6

Front panels, plug-in units .. 7

Systems ..... 8

Power supply units ..... 9

Backplanes .. 10

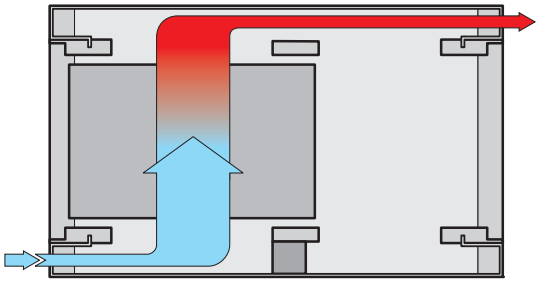
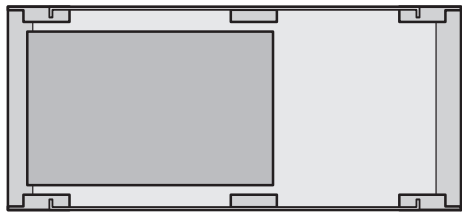
Connectors, front panel component system ..... 11

Appendix .... 12

**Desk-top cases – *ratiopacPRO***



06800002



06801005

**ratiopacPRO**  
 Designed for insertion/extractor handles in accordance with IEC 60297-3-102 and IEEE 1101.10 for CompactPCI and VME64x applications

**ratiopacPRO air**  
 Designed for insertion/extractor handles in accordance with IEC 60297-3-102 and IEEE 1101.10 for CompactPCI and VME64x applications; 1 U extra for ventilation (1/2 U top, 1/2 U bottom)

- Standards**
- Inner and outer dimensions in accordance with:  
 IEC 60297-3-101 / IEEE 1101.1  
 IEC 60297-3-102 / IEEE 1101.10/11
  - Type of protection IP20 in accordance with IEC 60529
  - Earthing connections in accordance with:  
 DIN EN 50178 / VDE 0160  
 DIN EN 60950 / VDE 0805  
 DIN EN 61010-1 / VDE 0411 part 1  
 DIN EN 61010-1A2 / VDE 0411 part 1/A1
  - EMC testing in accordance with VG 95373 part 15



Case with mounting plate



Prepared for CompactPCI and VME64x applications

 Downloads and further important information can be found on the Internet under [www.schroff.biz](http://www.schroff.biz)

## Desk-top cases – *ratiopacPRO*

Overview .... 5.6

The universal case with 19" compatible dimensions  
e.g. for CompactPCI, VME64x and other applications

- Base level of shielding in basic versions upwards, additional EMC shielding can be retrofitted
- Symmetrical construction, identical front and rear (identical board cage for ratiopacPRO and ratiopacPRO air)
- Converts simply from desktop to 19" rack-mounted case and back
- No visible screws; cladding parts removable without tools

**ratiopacPRO**  
Complete cases . 5.8  
Dimensions ..... 5.9  
Cases ..... 5.10  
Tower cases .... 5.12

**ratiopacPRO air**  
Cases ..... 5.14  
Complete cases . 5.13  
Dimensions ..... 5.16  
Radial fan units . 5.17  
EMC gasketing .. 5.18

**Accessories**  
Front panels .... 5.21  
Rear panels ..... 5.22  
Feet ..... 5.23  
Air filters ..... 5.23  
GND/earthing kit . 5.24  
Front handles ... 5.24  
19" brackets .... 5.25  
Cable holder. ... 5.26  
Compartment  
seals ..... 5.26  
Strap handles ... 5.26  
Tip-up carrying  
handles ..... 5.27  
Assembly kit. ... 5.28  
Fitting position  
of horizontal rails  
..... 5.29  
Horizontal rails. . 5.31  
Threaded  
inserts,  
perforated strips,  
insulation strips . 5.35  
Z-rails,  
perforated rails. . 5.35  
Divider plates ... 5.36  
Mounting plates . 5.37  
Horizontal board  
assembly ..... 5.38  
Combined  
mounting ..... 5.39  
Guide rails and  
ESD clips ..... 5.40

ServicePLUS .. 5.4



06800005

### ratiopacPRO

- Case with cover strip, front handles or 19" brackets (height 2 U ... 6 U)
- Complete case with cover strip and pre-mounted components, with basic shielding (height 3 U, 6 U), additional EMC shielding retrofittable
- Tower case (width 4 U)



06800005

### ratiopacPRO air

- ratiopacPRO air with additional 1 U height for ventilation
- Case with cover strips, front handles or 19" brackets (height 4 U, 5 U, 7 U)
- Complete case with cover strips and pre-mounted components, with basic shielding (height 4 U, 7 U), additional EMC shielding retrofittable

### ServicePLUS from page 5.4

- e.g. modifications (special colours or sizes)
- e.g. custom solutions (cut-outs in top cover, base plate or side panels)
- e.g. assembly service from 1 piece

[www.schroff.biz/ServicePLUS](http://www.schroff.biz/ServicePLUS)

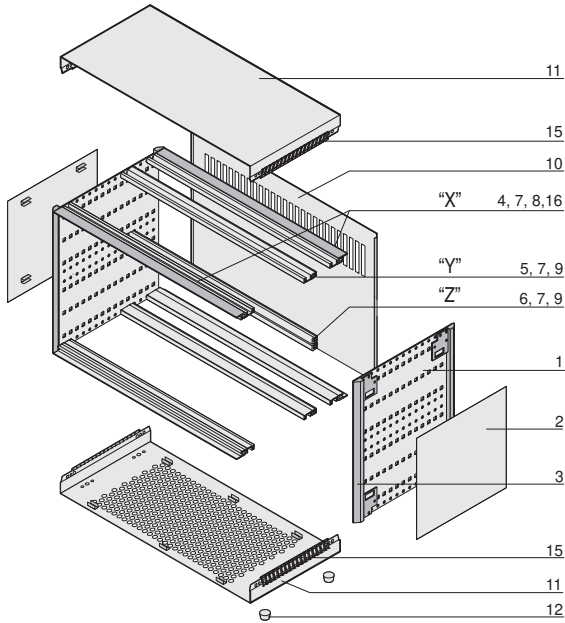


30407004

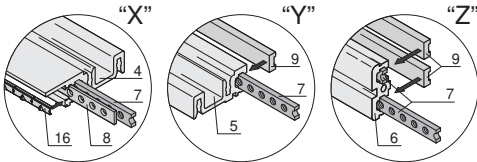
# Desk-top cases - *ratio*pacPRO



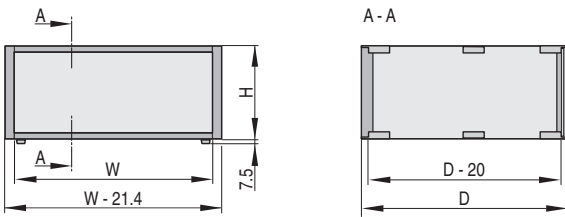
06812003



01802050

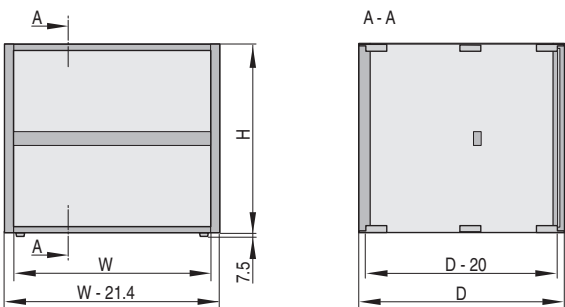


01808055



01808051

3 U



01808052

6 U

## ratio pacPRO complete cases

- Desk-top enclosure with pre-configured components, in accordance to IEC 60297-3-101; prepared for 19" components, e.g. plug-in units and euroboards
- Ventilation slit in base plate
- Rear panel perforated

### Delivery comprises (in kit form)

Item	Qty		Description
	without EMC	with EMC	
1	2	2	Side panel, Al, 2 mm, passivated
2	2	2	Side plate, Al, 1 mm, visible surfaces RAL 9006
3	4	4	Cover strip, Al die-cast, RAL 7016, pre-fitted only on EMC version
4	4	4	Horizontal rail, type H-LD, Al, visible surfaces RAL 7016
5	2	2	Horizontal rail, centre (top/bottom), type H-ST, Al
6	1	1	Horizontal rail, centre (on 6 U only), type ST, Al
7	6/8	6/8	3 U/6 U: threaded inserts, St, pre-mounted, for indirect backplane mounting with insulation strips
8	-	4	Perforated strip, Al, 1 mm, pre-fitted
9	4	4	Insulation strip, PBT, UL 94 V-0
10	1	1	Rear panel, perforated, Al, 2.5 mm
11	2	2	Top cover and base plate, Al, 1 mm, internal surfaces conductive, visible surfaces RAL 9006, with GND/earthing connection, base plate with honeycomb grid ventilation
12	4	4	Case foot with anti-slip protection, UL 94 V-0, PC black
14	-	1	EMC support profile for side panel, pre-mounted (kit)
15	-	4	EMC contact strip for cover plate, pre-mounted (kit)
16	-	4	EMC contact strip front panel - horizontal rails
17	1	1	GND/earthing kit, assembly kit

### Order Information

U	Height H	Width W	Depth D	Shielding	
				Unshielded Part no.	EMC shielded Part no.
3	28	28	255.5	<b>24572-001</b>	<b>24572-050</b>
3	42	42	255.5	<b>24572-002</b>	<b>24572-051</b>
3	42	42	315.5	<b>24572-003</b>	<b>24572-052</b>
3	63	63	315.5	<b>24572-004</b>	<b>24572-053</b>
3	84	84	315.5	<b>24572-005</b>	<b>24572-054</b>
3	84	84	375.5	<b>24572-006</b>	<b>24572-055</b>
3	84	84	435.5	<b>24572-007</b>	<b>24572-056</b>
6	42	42	315.5	<b>24572-015</b>	<b>24572-064</b>
6	63	63	315.5	<b>24572-016</b>	<b>24572-065</b>
6	84	84	315.5	<b>24572-017</b>	<b>24572-066</b>
6	84	84	375.5	<b>24572-018</b>	<b>24572-067</b>
6	84	84	435.5	<b>24572-019</b>	<b>24572-068</b>

### Note

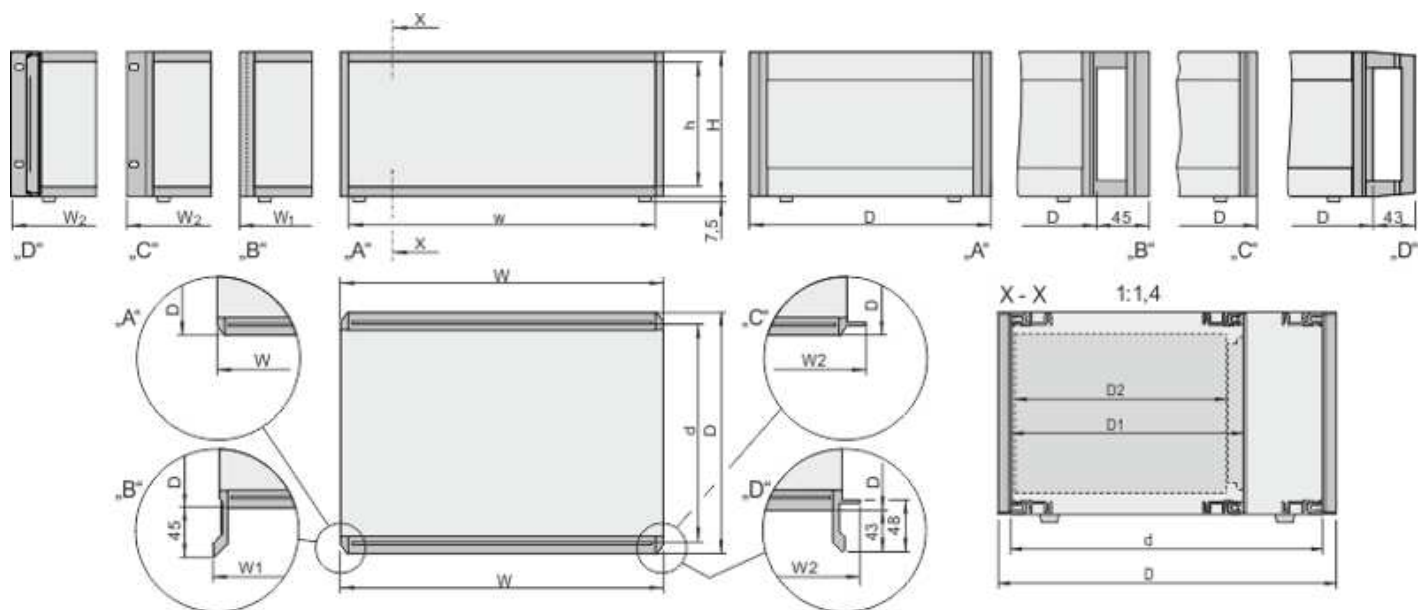
- Dimension drawings and mounting depths see page 5.9
- Components see page 5.18
- Front handles and 19" mounting brackets from page 5.24
- Guide rails from page 5.40



ServicePLUS see page 5.4

# Desk-top cases - *ratioPac* PRO

## Dimension drawings ratioPacPRO



RatioPacPRO with A - bezel; B - front handle; C - 19" mounting bracket; D - 19" mounting bracket with front handle

rppr6637

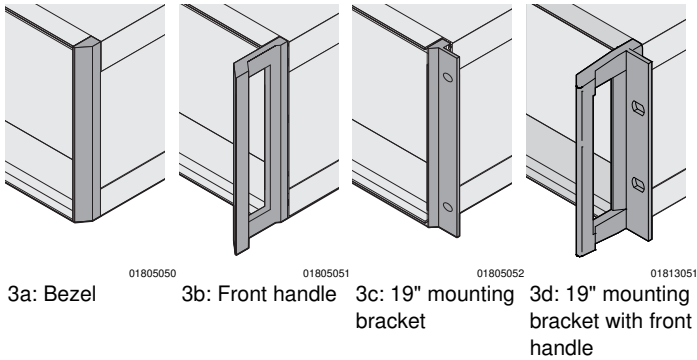
### Dimensions table ratioPacPRO

Height		Width						Depth			
in U	H in mm	h in mm	w in HP	W in mm	w1 in mm	w2 in mm	w in mm	D Total depth in mm	d Useable depth in mm	D1 Plug-in depth in mm	d2 Board depth in mm
2	88.10	67.90	28	164.42	177.62	198.12	142.82	255.5	235.5	175.5	160
			42	235.54	248.74	269.24	213.94			235.5	220
			63	342.42	355.42	375.92	320.62			175.5	160
			84	448.90	462.10	482.60	427.30			235.5	220
3	132.55	112.35	28	164.42	177.62	198.12	142.82	315.5	295.5	295.5	280
			42	235.54	248.74	269.24	213.94			175.5	160
			63	342.42	355.42	375.92	320.62			235.5	220
			84	448.90	462.10	482.60	427.30			295.5	280
4	177.00	156.80	28	164.42	177.62	198.12	142.82	435.5	415.5	355.5	340
			42	235.54	248.74	269.24	213.94			175.5	160
			63	342.42	355.42	375.92	320.62			235.5	220
			84	448.90	462.10	482.60	427.30			295.5	280
5	221.45	201.25	28	164.42	177.62	198.12	142.82	495.5	475.5	355.5	340
			42	235.54	248.74	269.24	213.94			175.5	160
			63	342.42	355.42	375.92	320.62			235.5	220
			84	448.90	462.10	482.60	427.30			295.5	280
6	265.90	245.70	28	164.42	177.62	198.12	142.82	495.5	475.5	355.5	340
			42	235.54	248.74	269.24	213.94			175.5	160
			63	342.42	355.42	375.92	320.62			235.5	220
			84	448.90	462.10	482.60	427.30			295.5	280

Components mountable in 15 mm depth grid

# Desk-top cases – *ratio*pacPRO

## RatiopacPRO case



- Cases for individual assembly with 19" standard components or specific internal mounting, e.g. with mounting plate
- Unshielded (EMC shielding retrofittable)
- Symmetrical design, identical front and rear side
- Four versions:
  - Bezels
  - Front handles
  - 19" mounting brackets
  - 19" mounting brackets with front handles
- For board depth 160 mm, 220 mm, 280 mm, and 340 mm (depending on case depth)

## Delivery comprises (kit)

Item	Qty	Description
1	2	Side panel, Al, 2 mm, chromated
2	2	Side plate, Al, 1 mm, visible surfaces powder-coated, RAL 9006
3	2	Rear trim, Al die-cast, powder-coated, RAL 7016
3a	2	Bezel, Al die-cast, powder-coated, RAL 7016
3b	2	Front handle, Al die-cast, powder-coated, RAL 7016
3c	2	19" mounting bracket, Al diecast, powder-coated, RAL 7016
3d	2	19" mounting bracket with front handle, Al diecast, powder-coated, RAL 7016
4	4	Horizontal rail, type H-LD, Al, visible surfaces powder-coated, RAL 7016
11	2	Top cover and base plate, Al, 1 mm, inner sides conductive, visible surfaces powder-coated, RAL 9006, with GND/earthing connections, base plate with honeycomb grid ventilation
12	4	Case foot with anti-slip protection, UL 94 V-0, PC black
13	1	Fixing materials kit

3a, 3b, 3c or 3d according to selection

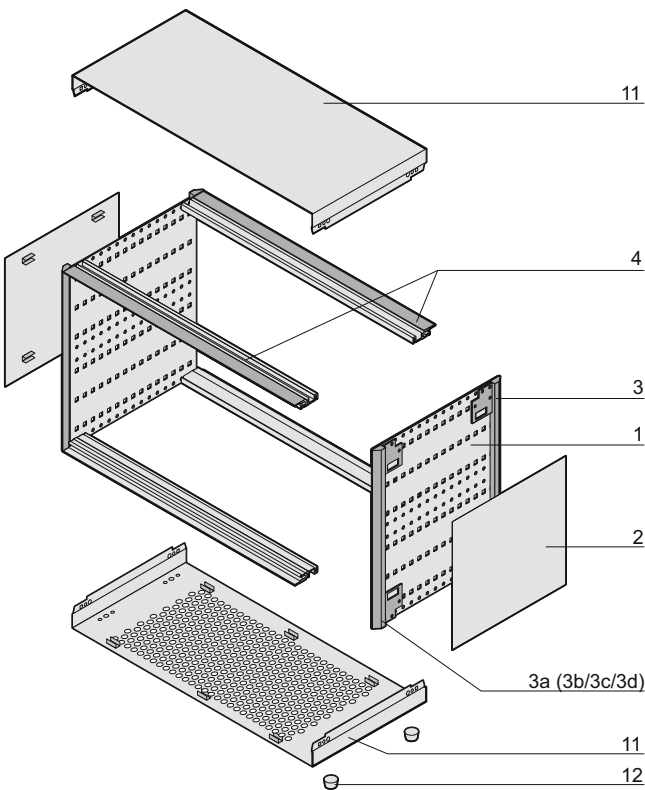
## Note

- Order information, see following page

## Order Information

### Accessories

<b>Earthing kit</b> CU wire, 1.5 mm <sup>2</sup> , PVC sleeve, green/yellow, 1 kit	<b>24571-380</b>
<b>Al diecast foot with tip-up</b> silver, 1 piece (SPQ 10)	<b>10603-002</b>
<b>Plastic tip-up foot</b> silver, similar to RAL 9006, PU 4 pieces	<b>20603-001</b>
<b>Plastic tip-up foot</b> anthracite, similar to RAL 7016, 4 pieces	<b>20603-002</b>
<b>Stacking aid</b> silver, similar to RAL 9006, PA, UL 94 V-0, PU 4 pieces	<b>20603-004</b>
<b>Stacking aid</b> anthracite, similar to RAL 7016, PA, UL 94 V-0, PU 4 pieces	<b>20603-003</b>



Drawing with front cover strip



ServicePLUS see page 5.4



For further information [www.schroff.biz/oneclick](http://www.schroff.biz/oneclick)  
oneClick search code = Part no.

# Desk-top cases – *ratio*pacPRO

## RatioPacPRO case

	Width W HP	Depth D mm	Case height H					
			2 U		Side panel subdivision			
			Part no.	Part no.	Part no.	Part no.		Part no.
						(1 U-3 U-1 U)	(3 U-2 U)	
					1 3 1	3 2		
<b>Cover strips</b>	28	255.5	24572-500	24571-002	24571-050	24572-117	24572-261	24571-098
	28	315.5	24572-503	<b>24571-005</b>	24571-053	24572-120	24572-264	24571-101
	42	255.5	24572-510	<b>24571-014</b>	24571-062	24572-129	24572-273	24571-110
	42	315.5	<b>24572-513</b>	<b>24571-017</b>	24571-065	24572-132	24572-276	24571-113
	42	255.5	24572-514	24571-018	24571-066	24572-133	24572-277	24571-114
	63	255.5	24572-520	24571-026	24571-074	24572-141	24572-285	24571-122
	63	315.5	24572-523	<b>24571-029</b>	24571-077	24572-144	24572-288	24571-125
	63	375.5	24572-524	<b>24571-030</b>	24571-078	24572-145	24572-289	24571-126
	84	255.5	24572-530	24571-038	24571-086	24572-153	24572-297	24571-134
	84	315.5	24572-533	<b>24571-041</b>	24571-089	24572-156	24572-300	24571-137
	84	375.5	24572-534	<b>24571-042</b>	24571-090	24572-157	24572-301	24571-138
	84	435.5	24572-535	<b>24571-043</b>	<b>24571-091</b>	24572-158	24572-302	24571-139
	84	495.5	24572-536	24571-044	24571-092	24572-159	24572-303	24571-140
<b>Front handles</b>	28	255.5	–	<b>24571-702</b>	24571-750	24572-213	24572-357	24571-798
	28	315.5	–	24571-705	24571-753	24572-216	24572-360	24571-801
	42	255.5	–	<b>24571-714</b>	24571-762	24572-225	24572-369	24571-810
	42	315.5	–	<b>24571-717</b>	24571-765	24572-228	24572-372	24571-813
	42	375.5	–	24571-718	24571-766	24572-229	24572-373	24571-814
	63	255.5	–	24571-726	24571-774	24572-237	24572-381	24571-822
	63	315.5	–	<b>24571-729</b>	24571-777	24572-240	24572-384	24571-825
	63	375.5	–	24571-730	24571-778	24572-241	24572-385	24571-826
	84	255.5	–	24571-738	24571-786	24572-249	24572-393	24571-834
	84	315.5	–	<b>24571-741</b>	24571-789	24572-252	24572-396	24571-837
	84	375.5	–	<b>24571-742</b>	24571-790	24572-253	24572-397	24571-838
	84	435.5	–	24571-743	<b>24571-791</b>	24572-254	24572-398	24571-839
	84	495.5	–	24571-744	24571-792	24572-255	24572-399	24571-840
<b>19" mounting brackets</b>	84	255.5	24572-570	<b>24571-438</b>	<b>24571-486</b>	24572-201	24572-345	24571-534
	84	315.5	<b>24572-573</b>	<b>24571-441</b>	24571-489	24572-204	24572-348	24571-537
	84	375.5	<b>24572-574</b>	<b>24571-442</b>	24571-490	24572-205	24572-349	24571-538
	84	435.5	<b>24572-575</b>	<b>24571-443</b>	<b>24571-491</b>	24572-206	24572-350	<b>24571-539</b>
	84	495.5	24572-576	24571-444	<b>24571-492</b>	24572-207	24572-351	24571-540
<b>19" mounting brackets with front handles</b>	84	255.5	24572-620	<b>24572-630</b>	<b>24572-640</b>	–	–	24572-660
	84	315.5	<b>24572-623</b>	<b>24572-633</b>	<b>24572-643</b>	–	–	<b>24572-663</b>
	84	375.5	<b>24572-624</b>	<b>24572-634</b>	<b>24572-644</b>	–	–	<b>24572-664</b>
	84	435.5	<b>24572-625</b>	<b>24572-635</b>	<b>24572-645</b>	–	–	<b>24572-665</b>
	84	495.5	24572-626	<b>24572-636</b>	<b>24572-646</b>	–	–	24572-666

### Note

- Dimension drawings and mounting depths see page 5.9
- Components see page 5.18

## Desk-top cases – *ratio*pacPRO

### ratio

pacPRO tower with 4 U width

06802001

- Symmetrical design, identical front and rear side
- Mounting space 4 U, 84 HP, depth 475 mm
- Case based on ratiopacPRO
- Unshielded (EMC shielding retrofittable)

#### Delivery comprises (in kit form)

Item	Qty	Description
1	2	Base/top cover, Al, 2 mm, passivated
2	4	Horizontal rail, type H-LD, Al, visible surface powder-coated, RAL 7016
3	4	Cover, Al die-cast, RAL 7016
4	2	Lateral cover plate, Al, 1 mm, with GND/earthing connection, visible surfaces powder-coated, internal surface conductive, RAL 9006
5	1	Top cover plate, Al, 1 mm, visible surface powder-coated, RAL 9006
6	2	Case foot with anti-slip protection, Al, powder-coated, RAL 7016
7	1	Assembly kit

#### Order Information

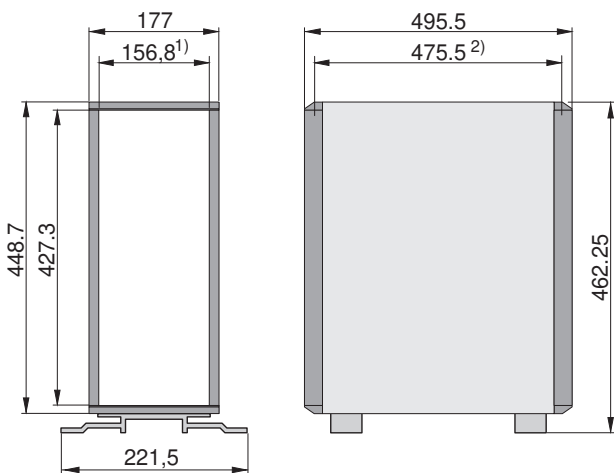
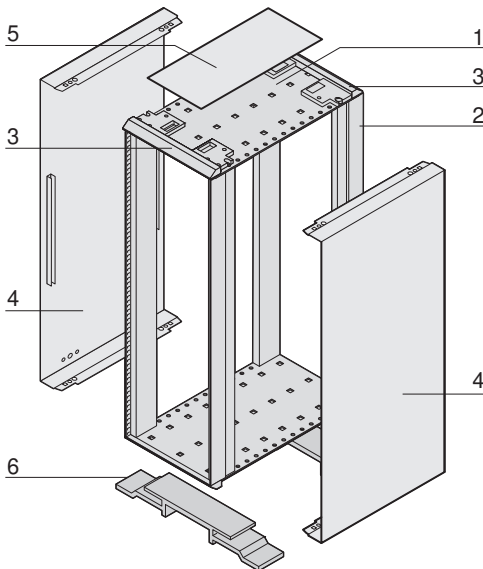
Width	Part no.
4 U	24571-395

#### Note

- Components see page 5.18



For further information [www.schroff.biz/oneclick](http://www.schroff.biz/oneclick)  
oneClick search code = Part no.



01802054

- 1) = open space between the horizontal rails  
 2) = max. mounting depth



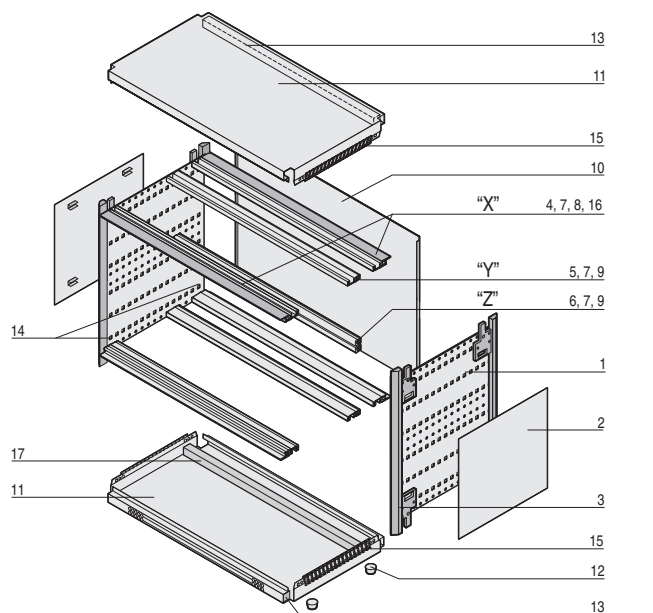
ServicePLUS see page 5.4

# Desk-top cases – *ratiopac* PRO air

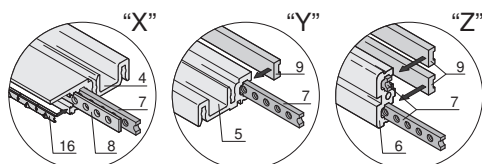
## ratiopacPRO air complete cases



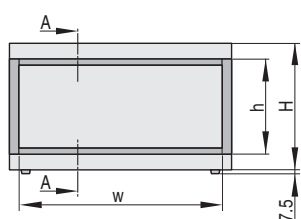
06811001



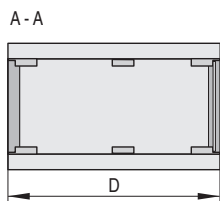
01802052



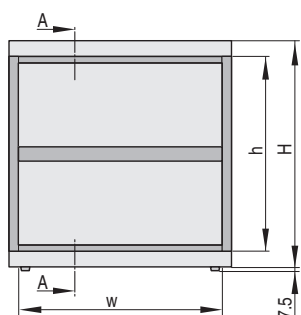
01808055



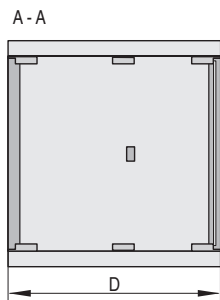
01808053



3 U



01808054



6 U

- The case has 2 x 1/2 U clearance for ventilation
- Case with cover strip; with pre-mounted components for euroboards and backplane with insulation strip; no visible screws
- Symmetrical design, identical front and rear honeycomb grid ventilation in top cover and base plate
- Available in two versions:
  - unshielded (EMC shielding retrofittable)
  - with EMC shielding fitted

### Delivery comprises (in kit form)

Item	Qty		Description
	without EMC	with EMC	
1	2	2	Side panel, Al, 2 mm, passivated
2	2	2	Side plate, Al, 1 mm, visible surface RAL 9006
3	4	4	Cover, die-cast zinc, RAL 7016, pre-mounted on EMC version only
4	4	4	Horizontal rail, type H-LD, Al, visible surface RAL 7016
5	2	2	Horizontal rail, centre (top/bottom), type H-ST, Al
6	1	1	Horizontal rail, centre (on 6 U only), type ST, Al
7	6/8	6/8	4 U/7 U: threaded inserts, St, pre-mounted, for indirect backplane mounting with insulation strips
8	–	4	Perforated strip, pre-mounted
9	4	4	Insulation strip, PBT, UL 94 V-0
10	1	1	Rear panel, Al, 2.5 mm
11	2	2	Top cover and base plate with honeycomb grid ventilation, Al, 1 mm, internal surface conductive, visible surface RAL 9006, with GND/earthing connection
12	4	4	Case foot with anti-slip protection, UL 94 V-0, PC, black
13	2	2	Air filter
14	–	1	EMC support profile for side panel, fitted (kit)
15	–	4	EMC contact strip for cover plate, pre-mounted (kit)
16	–	4	EMC contact strip front panel - horizontal rails
17	1	1	Compartment seal, PE foam, self-adhesive, temperature range -20 °C ... +85 °C
18	1	1	GND/earthing kit, assembly kit

### Order Information

Case height H	PCB height h	Width w	Depth D	Unshielded Part no.	EMC shielded Part no.
U	U	HP	mm		
4	3	28	255.5	<b>24572-025</b>	<b>24572-074</b>
4	3	42	255.5	<b>24572-026</b>	<b>24572-075</b>
4	3	42	315.5	<b>24572-027</b>	<b>24572-076</b>
4	3	63	315.5	<b>24572-028</b>	<b>24572-077</b>
4	3	84	315.5	<b>24572-029</b>	<b>24572-078</b>
4	3	84	375.5	<b>24572-030</b>	<b>24572-079</b>
4	3	84	435.5	<b>24572-031</b>	<b>24572-080</b>
7	6	42	315.5	<b>24572-040</b>	<b>24572-088</b>
7	6	63	315.5	<b>24572-041</b>	<b>24572-089</b>
7	6	84	315.5	<b>24572-042</b>	<b>24572-090</b>
7	6	84	375.5	<b>24572-043</b>	<b>24572-091</b>
7	6	84	435.5	<b>24572-044</b>	<b>24572-092</b>

### Note

- Dimension drawings and mounting depths see page 5.16
- Components see page 5.18
- Front handles and 19" mounting brackets from page 5.24
- Guide rails from page 5.40

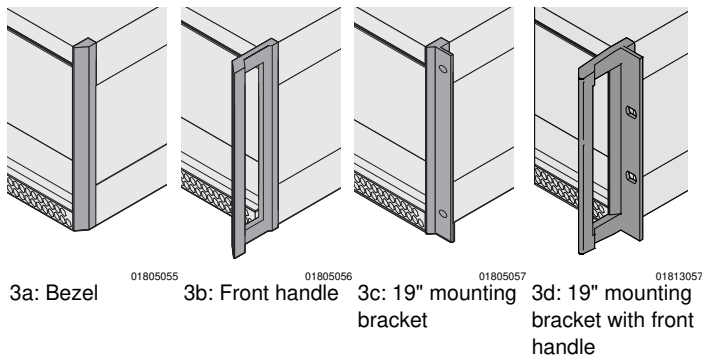
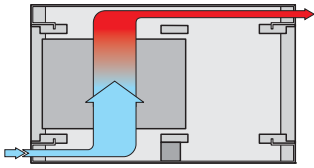


ServicePLUS see page 5.4



# Desk-top cases – *ratiopac* PRO air

## RatiopacPRO air case



- The case has 2 x 1/2 U clearances for ventilation beneath and above the board cage
- Cases for individual assembly with 19" standard components or specific internal mounting, e.g. with mounting plate
- Unshielded (EMC shielding retrofittable)
- Symmetrical design, identical front and rear side
- For board depth 160 mm, 220 mm, 280 mm, and 340 mm (depending on case depth)
- Online download of 3D CAD data
- Four versions:
  - Bezels
  - Front handles
  - 19" mounting brackets
  - With 19" mounting brackets and front handles

### Delivery comprises (in kit form)

Item	Qty	Description
1	2	Side panel, Al, 2 mm, chromated
2	2	Side plate, Al, 1 mm, visible surfaces powder-coated, RAL 9006
3	2	Rear trim, Al die-cast, powder-coated, RAL 7016
3a	2	Bezel, Al die-cast, powder-coated, RAL 7016
3b	2	Front handle, Al die-cast, powder-coated, RAL 7016
3c	2	19" mounting angle, Al die-cast, powder-coated, RAL 7016
3d	2	19" mounting bracket with front handle, Al diecast, powder-coated, RAL 7016
4	4	Horizontal rail, type H-LD, Al, visible surfaces powder-coated, RAL 7016
11	2	1 Top cover and base plate, Al, 1 mm, internal surfaces conductive, visible surfaces powder-coated, RAL 9006, with GND/earthing connection, top cover and base plate with ventilation comb
12	4	Case foot with anti-slip protection, UL 94 V-0, PC black
13	2	Air filters
14	1	Fixing materials kit

3a, 3b, 3c or 3d according to selection

### Note

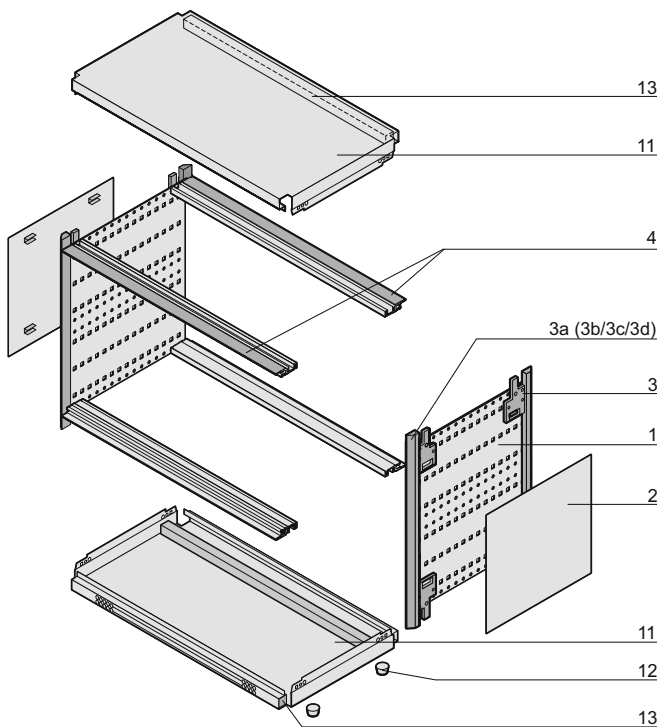
- Order information see following page

### Order Information

Accessories	
<b>Earthing kit</b> CU wire, 1.5 mm <sup>2</sup> , PVC sleeve, green/yellow, 1 kit	<b>24571-380</b>
<b>Al diecast foot with tip-up</b> silver, 1 piece (SPQ 10)	<b>10603-002</b>
<b>Plastic tip-up foot</b> silver, similar to RAL 9006, PU 4 pieces	<b>20603-001</b>
<b>Plastic tip-up foot</b> anthracite, similar to RAL 7016, 4 pieces	<b>20603-002</b>
<b>Stacking aid</b> silver, similar to RAL 9006, PA, UL 94 V-0, PU 4 pieces	<b>20603-004</b>
<b>Stacking aid</b> anthracite, similar to RAL 7016, PA, UL 94 V-0, PU 4 pieces	<b>20603-003</b>



For further information [www.schroff.biz/oneclick](http://www.schroff.biz/oneclick)  
oneClick search code = Part no.



Drawing with front cover strip

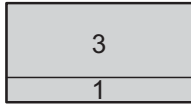
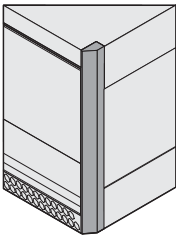
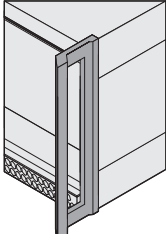
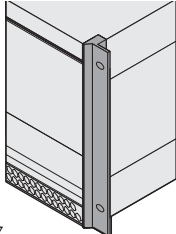
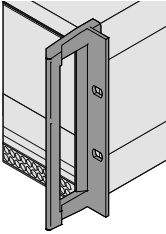
01813066



ServicePLUS see page 5.4

# Desk-top cases – *ratio*pacPRO air

## RatiopacPRO air case

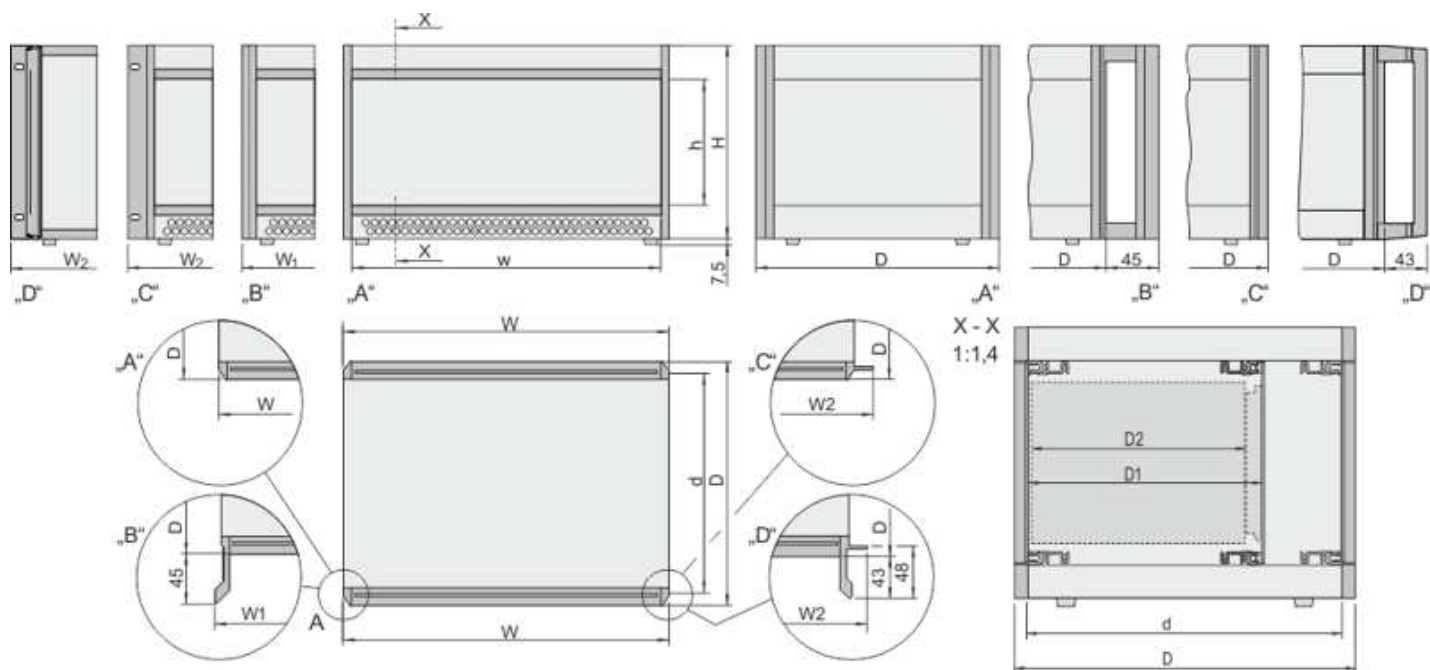
	Width W	Depth D	Case height H		
			4 U	5 U	7 U
			PCB height h		
					
	HP	mm	Part no.	Part no.	Part no.
<b>Bezels</b>    <small>01805055</small>	28	255.5	24571-146	24571-194	24571-242
	28	315.5	24571-149	24571-197	24571-245
	42	255.5	24571-158	24571-206	24571-254
	42	315.5	24571-161	<b>24571-209</b>	24571-257
	42	375.5	24571-162	24571-210	24571-258
	63	255.5	24571-170	24571-218	24571-266
	63	315.5	24571-173	24571-221	24571-269
	63	375.5	24571-174	24571-222	24571-270
	63	435.5	24571-175	24571-223	24571-271
	84	255.5	24571-182	24571-230	24571-278
	84	315.5	24571-185	24571-233	24571-281
	84	375.5	24571-186	24571-234	24571-282
	84	435.5	24571-187	24571-235	24571-283
	84	495.5	24571-188	24571-236	24571-284
	<b>Front handles</b>    <small>01805056</small>	28	255.5	24571-846	24571-894
28		315.5	24571-849	24571-897	24571-945
42		255.5	24571-858	24571-906	24571-954
42		315.5	24571-861	24571-909	24571-957
42		375.5	24571-862	24571-910	24571-958
42		435.5	24571-863	24571-911	24571-959
63		315.5	24571-873	24571-921	24571-969
63		375.5	24571-874	24571-922	24571-970
63		435.5	24571-875	24571-923	24571-971
84		255.5	24571-882	24571-930	24571-978
84		315.5	24571-885	24571-933	24571-981
84		375.5	24571-886	24571-934	24571-982
84		435.5	24571-887	24571-935	24571-983
84		495.5	24571-888	24571-936	24571-984
<b>19" mounting brackets</b>    <small>01805057</small>		84	255.5	<b>24571-582</b>	24571-630
	84	315.5	<b>24571-585</b>	24571-633	24571-681
	84	375.5	24571-586	24571-634	<b>24571-682</b>
	84	435.5	24571-587	24571-635	24571-683
	84	495.5	24571-588	<b>24571-636</b>	24571-684
<b>With 19" mounting brackets and front handles</b>    <small>01805057</small>	84	255.5	<b>24572-670</b>	–	24572-690
	84	315.5	<b>24572-673</b>	–	<b>24572-693</b>
	84	375.5	<b>24572-674</b>	–	<b>24572-694</b>
	84	435.5	<b>24572-675</b>	–	<b>24572-695</b>
	84	495.5	<b>24572-676</b>	–	24572-696

### Note

- Dimension drawings and mounting depths see page 5.16
- Components see page 5.18

# Desk-top cases – *ratio*pacPRO air

## RatiopacPRO air dimension drawings



01805058

RatiopacPRO air with A - bezel; B - front handle; C - 19" mounting bracket; D - 19" mounting bracket with front handle

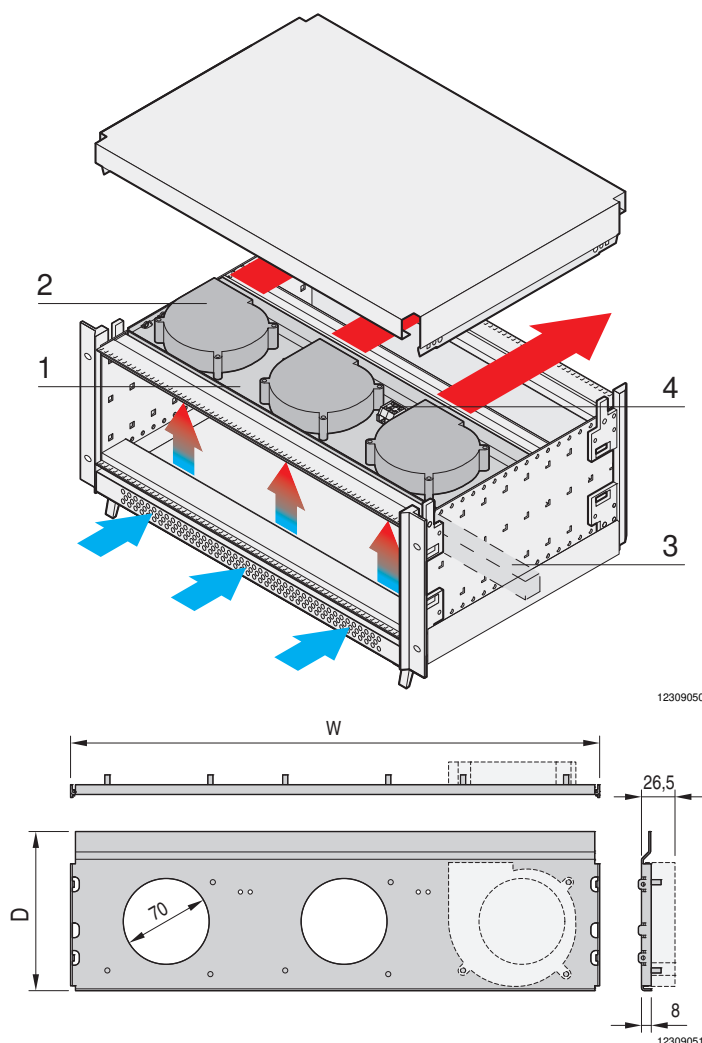
### Dimensions table RatiopacPRO air

in U	Height		Width					Depth			
	H in mm	H in mm	in HP	W in mm	W1 in mm	W2 in mm	w in mm	D Total depth in mm	d Usable depth in mm	D1 Plug-in depth in mm	d2 Board depth in mm
4	177.00	112.35	28	164.42	177.62	198.12	142.82	255.5	235.5	175	160
			42	235.54	248.74	269.24	213.94			235	220
			63	342.42	355.42	375.92	320.62			175	160
5	221.45	156.80	84	448.90	462.10	482.60	427.30	315.5	295.5	235	220
			42	235.54	248.74	269.24	213.94			295	280
			63	342.42	355.42	375.92	320.62			175	160
7	310.35	245.70	84	448.90	462.10	482.60	427.30	375.5	355.5	235	220
			42	235.54	248.74	269.24	213.94			295	280
			63	342.42	355.42	375.92	320.62			355	340
			84	448.90	462.10	482.60	427.30	435.5	415.5	175	160
			42	235.54	248.74	269.24	213.94			235	220
			63	342.42	355.42	375.92	320.62			295	280
			84	448.90	462.10	482.60	427.30	495.5	475.5	355	340
			42	235.54	248.74	269.24	213.94			175	160
			63	342.42	355.42	375.92	320.62			235	220

Components mountable in 15 mm depth grid

## Desk-top cases – *ratiopac*PRO air

### Radial fan unit for ratiopacPRO air



Depth D: 129.8 / 189.9 mm for 160 mm / 220 mm euroboards

- Only 1/2 U height
- Ball-bearing radial fans
- Fan holder in 4 widths and 2 depths
- Air capacity 36 m<sup>3</sup>/h (free blowing) per fan
- Air exhaust via perforation in cover plate
- No mechanical modification to case necessary
- Simple mounting
- No restriction to rear mounting space

#### Delivery comprises (Kit)

Item	Qty	Description
1	1	Fan support, Al, 1.5 mm, with crimp sockets for mounting the fans
2	1-3	Radial fan, ball bearing, 12 V <sub>DC</sub> ; airflow volume (50 Hz) 36 m <sup>3</sup> /h, free blowing; power consumption 6.7 W; connecting cable 300 mm, without plug (AWG 26); noise level in dB (A): 47.0; max. static pressure in Pa: 190; max. ambient temperature: 60 °C; fan housing and rotor: UL 94 V-0
3	1	Compartment seal, PE foam, UL 94, self-adhesive, temperature range -20 °C ... +85 °C
4	1	Terminal clamp, UL 90 V-0
5	1	Assembly kit

#### Order Information

Width HP	Width mm	Number of fans	Part no. for PCB depth	
			160 mm	220 mm
28	146.87	1	24572-404	24572-408
42	218.00	1	24572-405	24572-409
63	324.67	2	24572-406	24572-410
84	431.35	3	24572-407	24572-411

#### Note

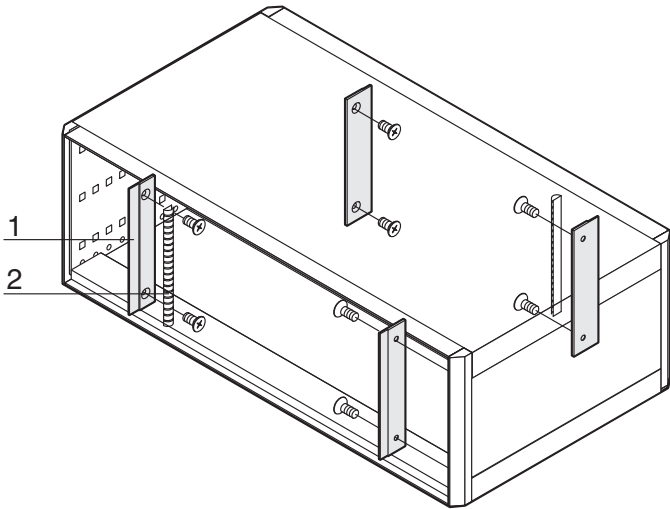
- Further configurations available on request
- Fans with tacho signal available on request



For further information [www.schroff.biz/oneclick](http://www.schroff.biz/oneclick)  
oneClick search code = Part no.

## Desk-top cases – *ratio*pac PRO / -air

### EMC sealing front/rear panel to side panel



rppr6639

- For vertical EMC shielding between sub-assemblies and side panel
- Scope of delivery sufficient for one case

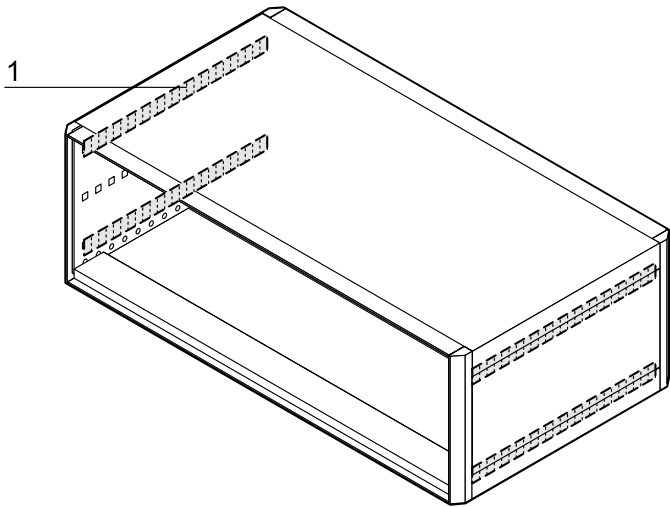
#### Delivery comprises (kit)

Item	Qty	Description
1	4	EMC support profile, Al extrusion
2	2	EMC sealing (textile), core: foam, sleeve: textile cladding with CuNi coating
3	1	Assembly kit

#### Order Information

For case height	Part no.
<b>U</b>	
2, 3-air	<b>24571-334</b>
3, 4-air	<b>24571-331</b>
4, 5-air	<b>24571-332</b>
6, 7-air	<b>24571-333</b>
5, 6-air	<b>24571-335</b>

### EMC sealing side panel to cover plate



RPPR6640

- For horizontal EMC shielding between side panels and cover plates
- Scope of delivery sufficient for one case

#### Delivery comprises (kit)

Item	Qty	Description
1	4	Contact strip, stainless steel

#### Order Information

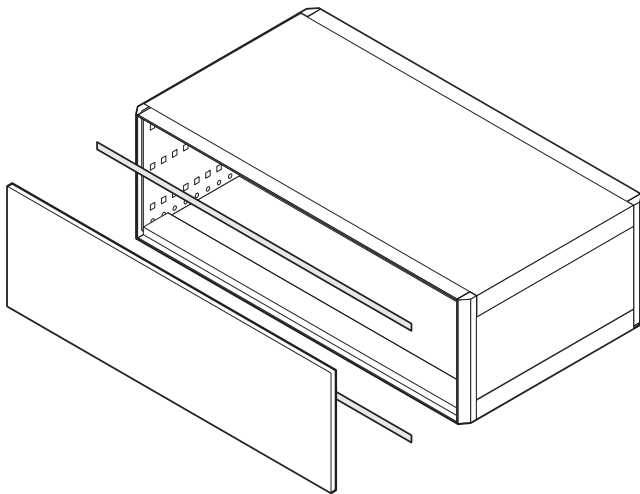
Depth	Part no.
<b>mm</b>	
255	<b>24571-338</b>
315	<b>24571-339</b>
375	<b>24571-340</b>
435	<b>24571-341</b>
495	<b>24571-342</b>



For further information [www.schroff.biz/oneclick](http://www.schroff.biz/oneclick)  
oneClick search code = Part no.

## Desk-top cases – *ratio*pac PRO / -air

### EMC sealing front/rear panel to horizontal rail



rppr6739

- The contact strip is clipped onto the horizontal rail and sets up the contact to front panel or rear panel
- Can be used for rear horizontal rails (H-VT, L-VT) and all front horizontal rails

#### Delivery comprises

Item	Qty	Description
1	10/100	Stainless steel EMC gasket

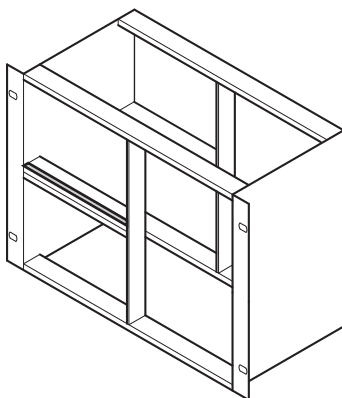
#### Order Information

Width HP	Width mm	Qty/PU	Part no.
28	131.78	10	<b>24560-229</b>
42	202.9	10	<b>24560-231</b>
63	304.8	10	<b>24560-233</b>
84	416.3	10	<b>24560-235</b>
84	416.3	100	<b>24560-236</b>

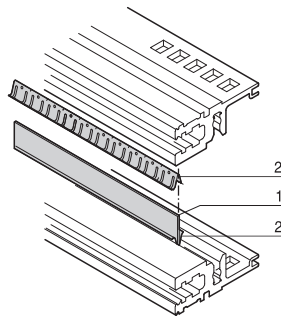


For further information [www.schroff.biz/oneclick](http://www.schroff.biz/oneclick)  
oneClick search code = Part no.

### EMC sealing horizontal rail to horizontal rail



BPA46548



BZA45877

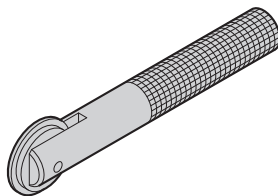
- For shielding of two horizontal rails located directly above each other with vertical division of the mounting height

#### Delivery comprises

Item	Qty	Description
1	1	Cover strip, Al, 1 mm
2	2	Contact spring, St, stainless

#### Order Information

Length HP	Part no.
20	<b>24562-520</b>
28	<b>24562-528</b>
40	<b>24562-540</b>
42	<b>24562-542</b>
63	<b>24562-563</b>
84	<b>24562-584</b>
<b>Assembly tool for EMC sealing, St, stainless (horizontal rails), 1 piece</b>	
	<b>24560-271</b>



Assembly tool

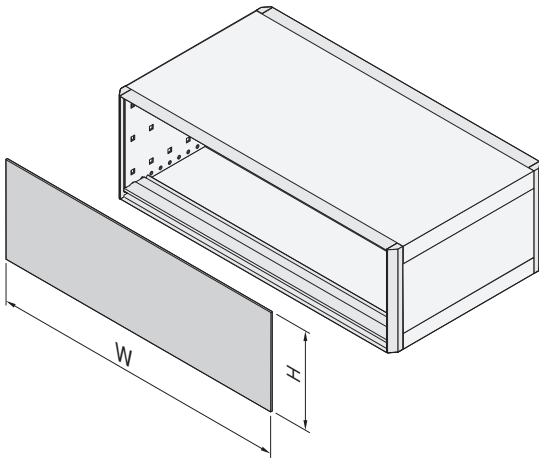
aza45937



For further information [www.schroff.biz/oneclick](http://www.schroff.biz/oneclick)  
oneClick search code = Part no.

## Desk-top cases – *ratiopac* **PRO** / -air

### EMC front/rear panel, slotted, shielded



- No screws required for fixing
- Special horizontal rails cover the edges of the front panel (top and bottom) and prevent bowing of the front panel

**NEW**

#### Delivery comprises (Kit)

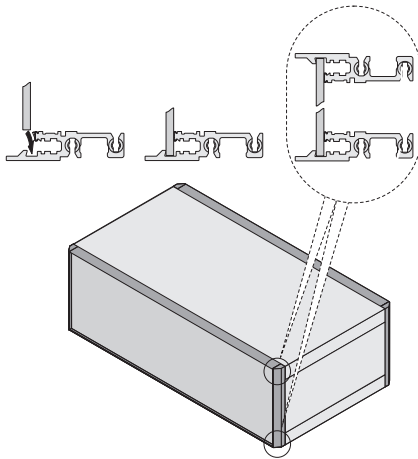
Item	Qty	Description
1	1	Full-width front panel, Al, 2.5 mm, front: anodised, rear: colour passivated
2	2	Horizontal rail, front; special for this front panel
3	4	EMC support profile
4	2	Contact strip horizontal rail - front panel
5	3	EMC textile gasket
6	1	Fixing material kit, user manual

01811055

#### Order Information

For case height	Height H	For case width	Width W	Part no.
U	mm	HP	mm	
2, 3-air	84.0	28	141.9	24572-599
2, 3-air	84.0	42	213.2	24572-600
2, 3-air	84.0	63	319.7	24572-601
2, 3-air	84.0	84	426.4	24572-602
3, 4-air	128.4	28	141.9	<b>24572-603</b>
3, 4-air	128.4	42	213.2	<b>24572-604</b>
3, 4-air	128.4	63	319.7	<b>24572-605</b>
3, 4-air	128.4	84	426.4	<b>24572-606</b>
4, 5-air	172.9	28	141.9	24572-607
4, 5-air	172.9	42	213.2	24572-608
4, 5-air	172.9	63	319.7	24572-609
4, 5-air	172.9	84	426.4	24572-610

01811056



Front panel/horizontal rail

#### Note

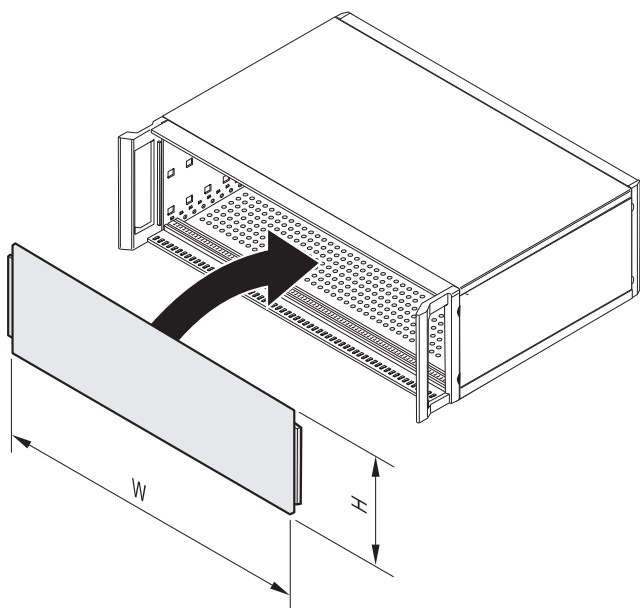
- To obtain a shielded case, all EMC sealings must be fitted (front panel/rear panel - side panel; side panel - cover plate; front panel/rear panel - horizontal rail; horizontal rail - horizontal rail)
- EMC sealing see from page 5.18



For further information [www.schroff.biz/oneclick](http://www.schroff.biz/oneclick)  
oneClick search code = Part no.

## Desk-top cases – *ratio*pac **PRO** / -air

### Full-width front panel, slotted, unshielded



06801502

- Front panels can also be used as rear panels
- No screws required for fixing
- Inserted between side panel and castings such as trim, 19" mounting bracket or handle

### Delivery comprises

Item	Qty	Description
1	1	Front panel, Al, 2.5 mm, front: anodised, rear: colour passivated

### Order Information

For case height	Height H	For case width	Width W	Part no.
U	mm	HP	mm	
2, 3-air	84	28	141.9	34571-617
2, 3-air	84	42	213.2	34571-618
2, 3-air	84	63	319.7	34571-619
2, 3-air	84	84	426.4	<b>34571-620</b>
3, 4-air	128.4	28	141.9	<b>34571-605</b>
3, 4-air	128.4	42	213.2	<b>34571-606</b>
3, 4-air	128.4	63	319.7	<b>34571-607</b>
3, 4-air	128.4	84	426.4	<b>34571-608</b>
4, 5-air	172.9	28	141.9	34571-609
4, 5-air	172.9	42	213.2	34571-610
4, 5-air	172.9	63	319.7	34571-611
4, 5-air	172.9	84	426.4	<b>34571-612</b>
5, 6-air	217.3	28	141.9	34571-621
5, 6-air	217.3	42	213.2	34571-622
5, 6-air	217.3	63	319.7	34571-623
5, 6-air	217.3	84	426.4	34571-624
6, 7-air	261.8	28	141.9	34571-613
6, 7-air	261.8	42	213.2	34571-614
6, 7-air	261.8	63	319.7	34571-615
6, 7-air	261.8	84	426.4	<b>34571-616</b>

### Note

- Screw-fixed front panels see chapter Front panels, page 7.4

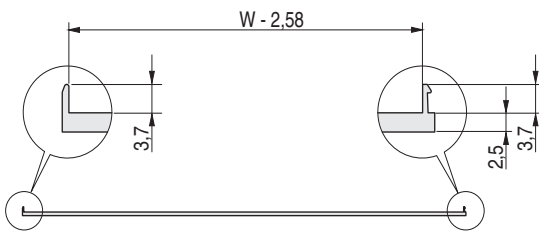
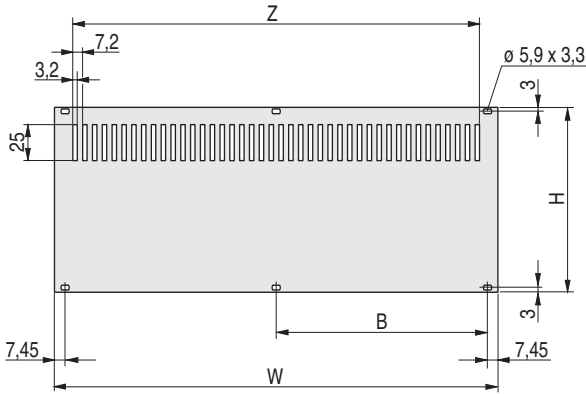


For further information [www.schroff.biz/oneclick](http://www.schroff.biz/oneclick)  
oneClick search code = Part no.



# Desk-top cases – *ratio*pac **PRO** / -air

## Rear panels with ventilation slots



Shieldable

01802055



Unshielded

01804050

- Two versions:  
unshielded, Al, 2.5 mm;  
shieldable, Al extrusion (textile EMC seal, retrofittable)
- Mounting on horizontal rails (top and bottom)

### Delivery comprises

Item	Qty	Description
1	1	Rear panel, Al, 2.5 mm, front: anodised, rear: iridescent green chromated; unshielded or shieldable with EMC seal (textile)

### Order Information

Height U	H mm	Width HP mm	B mm	unshielded Part no.	shieldable Part no.
2, 3-air	84	28	141.9	30849-007	20848-679
2, 3-air	84	42	213	30849-014	20848-680
2, 3-air	84	63	319.7	30849-015	20848-681
2, 3-air	84	84	426.4	30849-016	20848-682
3, 4-air	128.4	28	141.9	30849-008	<b>20848-633</b>
3, 4-air	128.4	42	213	30849-021	20848-634
3, 4-air	128.4	63	319.7	30849-022	20848-635
3, 4-air	128.4	84	426.4	30849-023	<b>20848-636</b>
4, 5-air	172.9	28	141.9	30849-009	20848-656
4, 5-air	172.9	42	213	30849-028	20848-657
4, 5-air	172.9	63	319.7	30849-029	20848-658
4, 5-air	172.9	84	426.4	30849-030	20848-659
5, 6-air	217.3	28	141.9	30849-011	20848-744
5, 6-air	217.3	42	213	30849-171	20848-745
5, 6-air	217.3	63	319.7	30849-172	20848-746
5, 6-air	217.3	84	426.4	30849-173	20848-747
6, 7-air	261.8	28	141.9	30849-010	20848-640
6, 7-air	261.8	42	213	30849-035	<b>20848-641</b>
6, 7-air	261.8	63	319.7	30849-036	20848-642
6, 7-air	261.8	84	426.4	30849-037	<b>20848-643</b>

- Please order textile EMC seals separately
- Assembly parts see page Chapter 7, Front panels
- Rear/front panels without perforation see Chapter 7, Front panels
- Rear panels with fan available on request

## Textile EMC seals

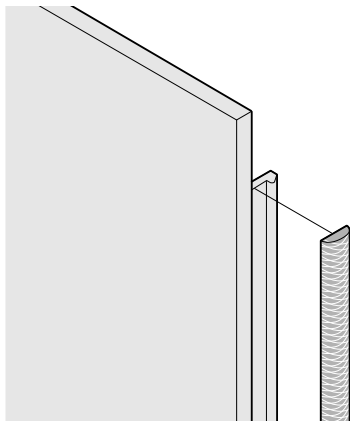
### Delivery comprises

Item	Qty	Description
1	10/100	Textile EMC seal, core: foam, sleeve: textile cladding with CuNi coating

### Order Information

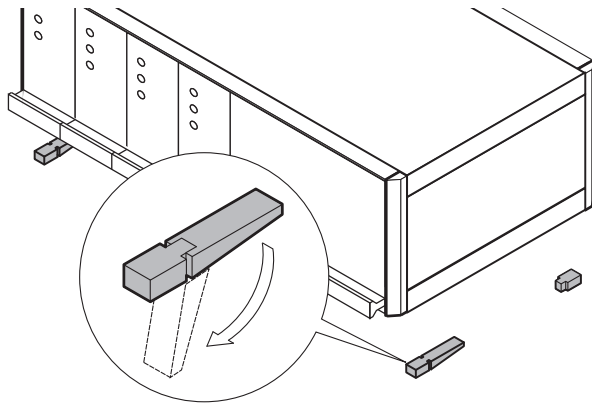
Height U	Height mm	Qty/PU pieces	Part no.
2, 3-air	52	10	21101-857
3, 4-air	97	100	21101-854
3, 4-air	97	10	21101-853
4, 5-air	142	10	21101-858
5, 6-air	187	10	21101-978
6, 7-air	232	100	21101-856
6, 7-air	232	10	21101-855

04602054



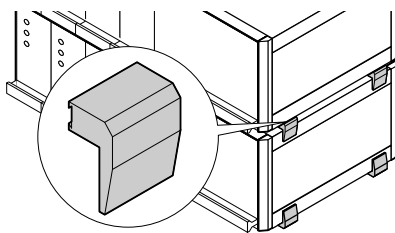
## Desk-top cases – *ratio*pacPRO / -air

### Tip-up feet and stacking aid/design element



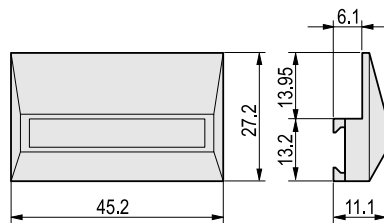
Tip-up foot

01802075



Stacking aid/design element

01802076



- Can be used instead of standard feet
- Carrying capacity: 25 kg per foot
- Mounting holes in bottom of casing

#### Delivery comprises ((kit))

Item	Qty	Description
1	4	Foot, PA, UL 94 V-0
2	4	Anti-slip protection, TPE
3	2	Tip-up device, PA, UL 94 V-0
4	1	Assembly kit

#### Order Information

Description	Part no.
Tip-up foot, silver, similar to RAL 9006	<b>20603-001</b>
Tip-up foot, anthracite, similar to RAL 7016	<b>20603-002</b>
<b>Stacking aid/design element</b> silver, similar to RAL 9006, PA, UL 94 V-0, PU 4 pieces	<b>20603-004</b>
<b>Stacking aid/design element</b> anthracite, similar to RAL 7016, PA, UL 94 V-0, PU 4 pieces	<b>20603-003</b>

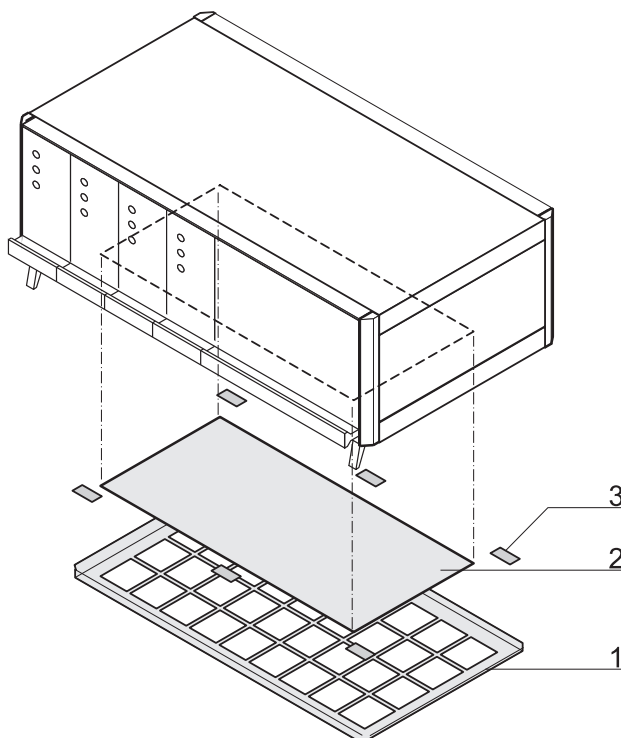
#### Note

- Tip-up feet are required to mount the stacking aid



For further information [www.schroff.biz/oneclick](http://www.schroff.biz/oneclick)  
oneClick search code = Part no.

### Air filters for *ratio*pacPRO air



rppr6658

- Retrofit mounting without reworking and tools
- Filter replacement without opening the case, IP protection retained

#### Delivery comprises (kit)

Item	Qty	Description
1	1	Filter holder, Al, 1 mm, powder-coated, RAL 9006
2	1	Filter mat, synthetic fibre
3	1	Self-adhesive fixings

#### Order Information

For case width	Air filter	Replacement filter 1 piece
HP	Part no.	Part no.
28	<b>24571-325</b>	<b>64571-033</b>
42	<b>24571-326</b>	<b>64571-034</b>
63	<b>24571-327</b>	<b>64571-035</b>
84	<b>24571-328</b>	<b>64571-036</b>

- To optimise the air supply, tip-up feet must be fitted to the case, see page 5.23