

Chipsmall Limited consists of a professional team with an average of over 10 year of expertise in the distribution of electronic components. Based in Hongkong, we have already established firm and mutual-benefit business relationships with customers from,Europe,America and south Asia,supplying obsolete and hard-to-find components to meet their specific needs.

With the principle of “Quality Parts,Customers Priority,Honest Operation,and Considerate Service”,our business mainly focus on the distribution of electronic components. Line cards we deal with include Microchip,ALPS,ROHM,Xilinx,Pulse,ON,Everlight and Freescale. Main products comprise IC,Modules,Potentiometer,IC Socket,Relay,Connector.Our parts cover such applications as commercial,industrial, and automotives areas.

We are looking forward to setting up business relationship with you and hope to provide you with the best service and solution. Let us make a better world for our industry!



## Contact us

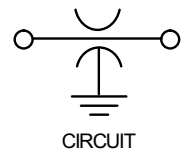
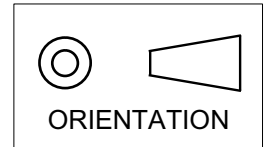
Tel: +86-755-8981 8866 Fax: +86-755-8427 6832

Email & Skype: [info@chipsmall.com](mailto:info@chipsmall.com) Web: [www.chipsmall.com](http://www.chipsmall.com)

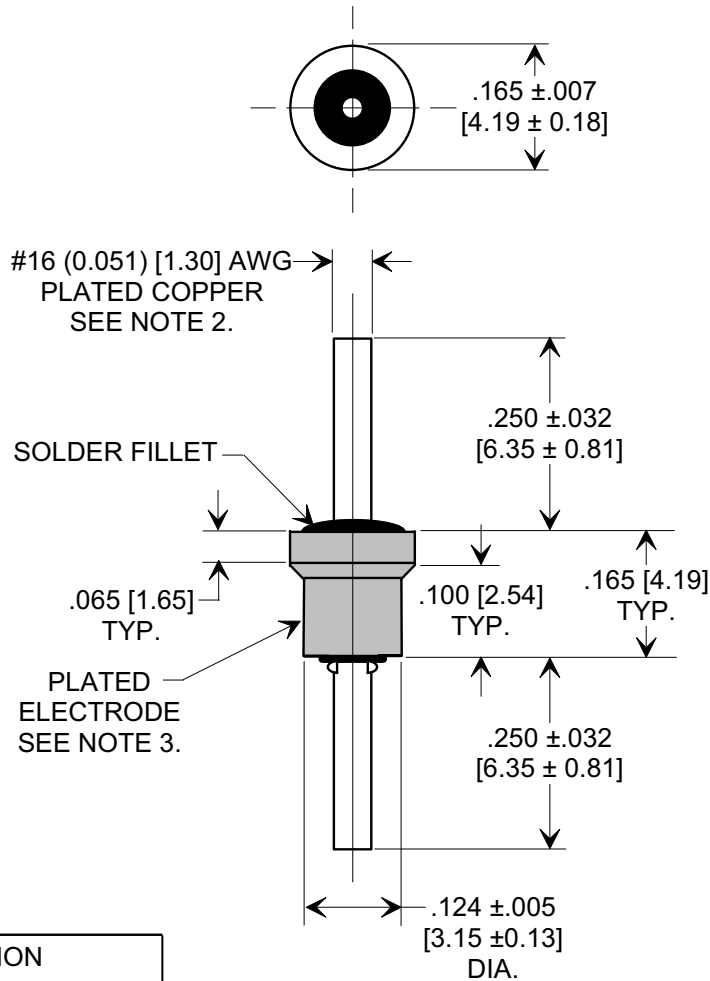
Address: A1208, Overseas Decoration Building, #122 Zhenhua RD., Futian, Shenzhen, China

This drawing is the property of Tusonix, Inc., and may not be used, reproduced, published or disclosed to others without expressed authorization by Tusonix Inc.

**MARKETING SALES DRAWING**  
**DIMENSIONS IN INCHES - DO NOT SCALE THIS DRAWING**  
**DIMENSIONS IN METRIC - [ ]**



**Electrical Testing**  
**per Tusonix standard**  
**test plans and Mil-Std-202**  
**Test Methods.**



#16 (0.051) [1.30] AWG  
 PLATED COPPER  
 SEE NOTE 2.

SOLDER FILLET

.065 [1.65]  
 TYP.

PLATED  
 ELECTRODE  
 SEE NOTE 3.

.165 ± .007  
 [4.19 ± 0.18]

.250 ± .032  
 [6.35 ± 0.81]

.100 [2.54]  
 TYP.

.165 [4.19]  
 TYP.

.250 ± .032  
 [6.35 ± 0.81]

.124 ± .005  
 [3.15 ± 0.13]  
 DIA.

**OPERATING INFORMATION**

STYLE NO.	2461-001
VALUE	1000 pF
VALUE TOL.	+100% / -0%
TEMP. COEF.	X7V
RATING	100VDC@+125°C
OPERATING RANGE	-55°C,+125°C
DWV	600
I.R. MIN @ 100VDC	10 GΩ
TO TUSONIX SPEC. UNLESS STATED OTHERWISE.	

**NOTES:**

1. TUSONIX STANDARD PART NUMBER: 2461-001-X7V0-102P.  
 TUSONIX RoHS COMPLIANT PART NUMBER:  
 2461-001-X7V0-102P LF.  
 CUSTOMER MUST SPECIFY STANDARD OR RoHS PART NUMBER  
 WHEN ORDERING.
2. LEAD FINISH: STANDARD PART #: 60/40 SOLDER PLATED. RoHS  
 PART #: SILVER PLATED.
3. ELECTRODE FINISH: STANDARD PART #: 60/40 SOLDER PLATED.  
 RoHS PART #: MATTE TIN PLATED.
4. PART MARKING: STANDARD PART: NO MARKING. RoHS PART:  
 MARKING ON PACKAGING ONLY.

X-2015 Rev-0 REVISION RECORD Original Release C.O. ECO-659	<b>A</b>	<b>TUSONIX</b> TUCSON, ARIZONA	<b>--TOLERANCES--</b> Unless Otherwise Specified		Title <b>SHOULDER          FEED-THRU</b>	
	DECIMAL ± .015 [38]			Drawn L.E. 04-14-09 Scale 4 X		
	ANGLES ±					Approved R.L. 04-14-09
	<b>A</b>			<b>2461-001-X7V0-102P</b>		