



Chipsmall Limited consists of a professional team with an average of over 10 year of expertise in the distribution of electronic components. Based in Hongkong, we have already established firm and mutual-benefit business relationships with customers from,Europe,America and south Asia,supplying obsolete and hard-to-find components to meet their specific needs.

With the principle of “Quality Parts,Customers Priority,Honest Operation,and Considerate Service”,our business mainly focus on the distribution of electronic components. Line cards we deal with include Microchip,ALPS,ROHM,Xilinx,Pulse,ON,Everlight and Freescale. Main products comprise IC,Modules,Potentiometer,IC Socket,Relay,Connector.Our parts cover such applications as commercial,industrial, and automotives areas.

We are looking forward to setting up business relationship with you and hope to provide you with the best service and solution. Let us make a better world for our industry!



Contact us

Tel: +86-755-8981 8866 Fax: +86-755-8427 6832

Email & Skype: info@chipsmall.com Web: www.chipsmall.com

Address: A1208, Overseas Decoration Building, #122 Zhenhua RD., Futian, Shenzhen, China

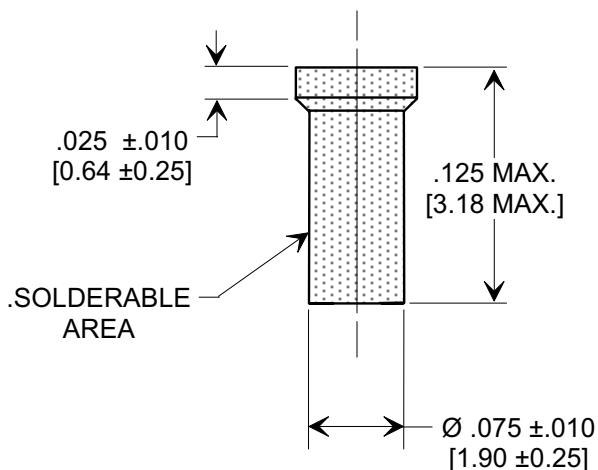
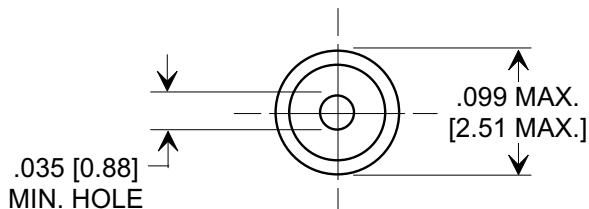
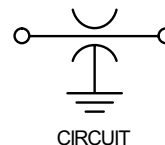
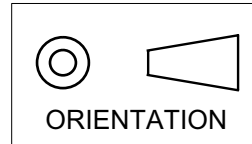


MARKETING SALES DRAWING

DIMENSIONS IN INCHES - DO NOT SCALE THIS DRAWING
DIMENSIONS IN METRIC - []

This drawing is the property of Tusonix, Inc., and may not be used, reproduced, published or disclosed to others without expressed authorization by Tusonix Inc.

Electrical Testing
per Tusonix standard
test plans and Mil-Std-202
Test Methods.



SPECIFICATIONS

CAP. VALUE	470 pF
CAP. TOL.	±20%
TEMP. CHAR.	X5S
OPERATING TEMP.	-55° TO +85°C
OPERATING VOLT.	200 WVDC
DWV (VDC)	400
I.R. MIN. @ 100 (VDC)	10 G Ω

NOTES:

1. TUSONIX STANDARD PART NUMBER: 2463-001-X5S0-471M.
 TUSONIX RoHS COMPLIANT PART
 NUMBER: 2463-001-X5S0-471M LF.
 CUSTOMER MUST SPECIFY STANDARD OR RoHS PART
 NUMBER WHEN ORDERING.
2. PART MARKING: STANDARD PART, NO MARKING.
 RoHS PART: GREEN LABELING ON PACKAGING.

X-2015 Rev-0

REVISION RECORD Original Release C.O. 19981002-3-02 ADDED NOTES, IR & DWV. S.M. 07-27-06 20060619-1-08	0	1	--TOLERANCES-- Unless Otherwise Specified	Title SHOULDER FEED-THRU			
			DECIMAL ± .031 [0.79]	Drawn	S.M. 10-06-98	Scale	NONE
			ANGLES ±	Approved H.R. 10-06-98			
	TUSONIX TUCSON, ARIZONA		A	2463-001-X5S0-471M			