



Chipsmall Limited consists of a professional team with an average of over 10 year of expertise in the distribution of electronic components. Based in Hongkong, we have already established firm and mutual-benefit business relationships with customers from,Europe,America and south Asia,supplying obsolete and hard-to-find components to meet their specific needs.

With the principle of "Quality Parts,Customers Priority,Honest Operation,and Considerate Service",our business mainly focus on the distribution of electronic components. Line cards we deal with include Microchip,ALPS,ROHM,Xilinx,Pulse,ON,Everlight and Freescale. Main products comprise IC,Modules,Potentiometer,IC Socket,Relay,Connector.Our parts cover such applications as commercial,industrial, and automotives areas.

We are looking forward to setting up business relationship with you and hope to provide you with the best service and solution. Let us make a better world for our industry!



Contact us

Tel: +86-755-8981 8866 Fax: +86-755-8427 6832

Email & Skype: info@chipsmall.com Web: www.chipsmall.com

Address: A1208, Overseas Decoration Building, #122 Zhenhua RD., Futian, Shenzhen, China





FEATURES

- RoHS compliant
- Up to 3.1A I_{DC}
- 2.7μH to 220μH
- Optional integral EMI shield
- Low R_{DC}
- Surface mount
- Compact size
- Tape and reel packaging
- J-STD-020C reflow
- Backward compatible with Sn/Pb soldering systems

DESCRIPTION

The 2400 series is a range of bobbin-wound, surface-mount inductors designed for use in switching power supply, and power line filter circuits. The parts are suitable for any application requiring a high saturation current in a miniature surface-mount footprint. Where EMI is a critical factor, the devices are available with an integral ferrite EMI shield.

SELECTION GUIDE (UNSHIELDED TYPES)

Order Code	Inductance (1kHz, 100mV _{AC})	Inductance Range (1kHz, 100mV _{AC})	DC Current ¹	DC Resistance	SRF (100mV _{rms})
	Nom.	Min. - Max.	Max.	Max.	Nom.
	μH	μH	A	mΩ	MHz
242R7C	2.7	2.04 - 3.78	2.60	39	57.0
243R3C	3.3	2.44 - 4.54	2.40	42	53.0
244R7C	4.7	3.37 - 6.25	2.10	50	45.0
246R8C	6.8	5.03 - 9.34	1.75	61	37.0
24100C	10	8.00 - 12.0	1.44	100	27.8
24120C	12	8.54 - 15.9	1.36	100	26.0
24150C	15	12.0 - 18.0	1.30	120	22.0
24180C	18	13.0 - 24.1	1.26	150	20.0
24220C	22	17.6 - 26.4	1.11	180	16.5
24330C	33	28.1 - 34.7	0.88	230	13.1
24470C	47	40.8 - 54.1	0.72	370	10.9
24680C	68	61.2 - 74.8	0.61	460	9.38
24101C	100	90.0 - 110	0.52	700	7.03
24151C	150	135 - 165	0.40	1100	5.13
24221C	220	198 - 242	0.35	1570	4.24

SELECTION GUIDE (SHIELDED TYPES)

Order Code	Inductance (1kHz, 100mV _{AC})	Inductance Range (1kHz, 100mV _{AC})	DC Current ¹	DC Resistance	SRF (100mV _{rms})
	Nom.	Min. - Max.	Max.	Max.	Nom.
	μH	μH	A	mΩ	MHz
24S2R7C	2.7	1.78 - 3.52	3.10	28	79.0
24S3R3C	3.3	2.07 - 4.68	2.80	32	63.0
24S4R7C	4.7	2.82 - 6.01	2.39	37	52.0
24S6R8C	6.8	4.40 - 9.17	2.00	45	39.0
24S100C	10	8.50 - 12.5	1.64	70	25.6
24S120C	12	7.65 - 15.2	1.50	74	29.0
24S150C	15	12.8 - 18.8	1.34	90	19.7
24S180C	18	11.1 - 22.7	1.22	91	23.0
24S220C	22	18.7 - 27.5	1.10	120	15.7
24S330C	33	28.1 - 41.3	0.90	190	11.2
24S470C	47	40.0 - 58.8	0.75	240	10.2
24S680C	68	57.8 - 85.0	0.63	370	8.09
24S101C	100	85.0 - 120	0.52	540	6.2
24S151C	150	128 - 180	0.42	860	4.88
24S221C	220	187 - 264	0.35	1310	3.58

ABSOLUTE MAXIMUM RATINGS

Operating free air temperature range	-40°C to 85°C
Storage temperature range	-40°C to 125°C

SOLDERING INFORMATION²

Peak reflow temperature	250°C
Pin finish	Hot dipped tin

Specifications typical at T_a = 25°C

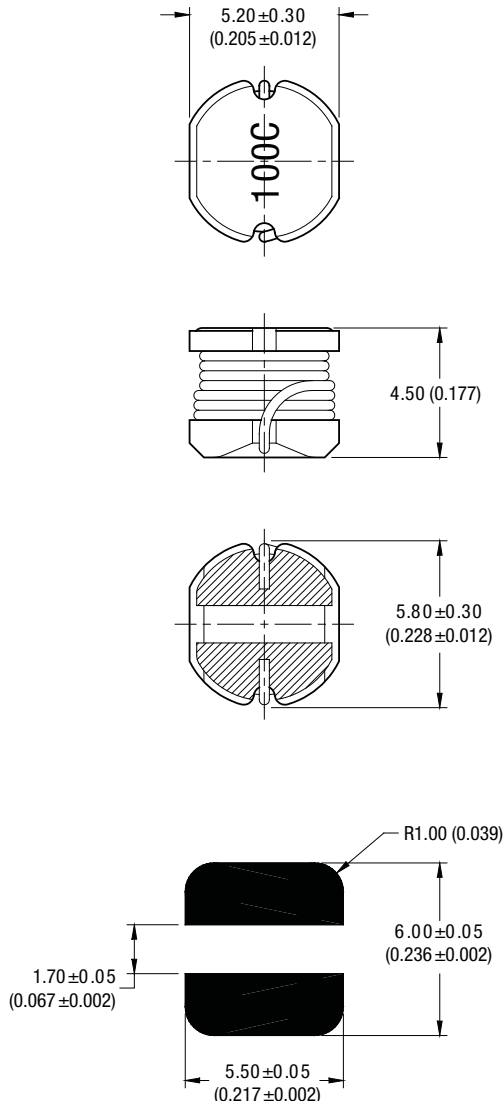
1 The maximum DC current is the value at which the inductance falls to 80% of its nominal value or when its temperature rise reaches 40°C, whichever is sooner.

2 For further information, please visit www.murata-ps.com/rohs



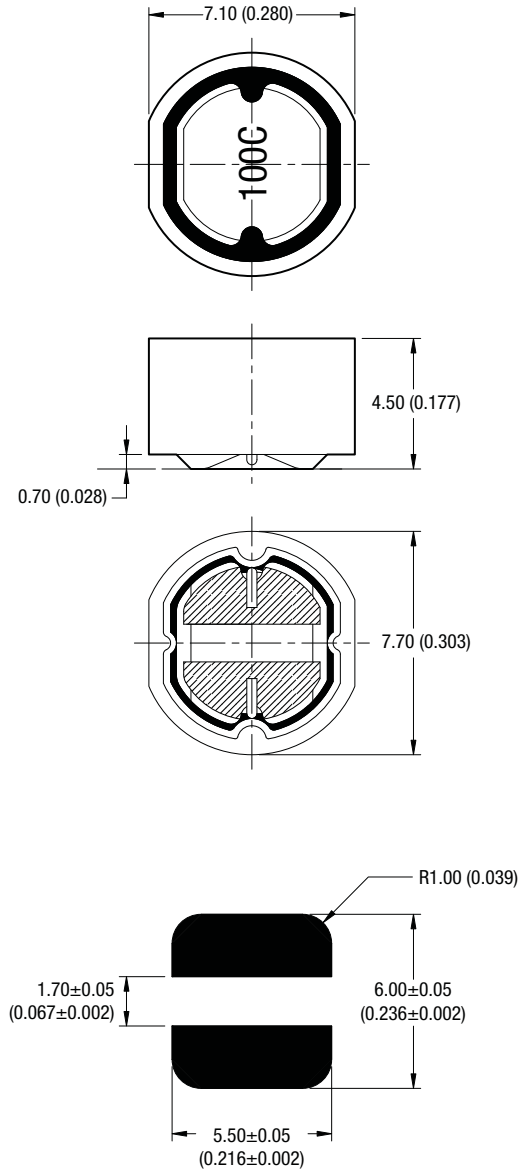
MECHANICAL DIMENSIONS

UNSHIELDED TYPES



Unless otherwise stated all dimensions in mm (inches) ±0.25 (0.01). Package Weight 0.43g Typ.

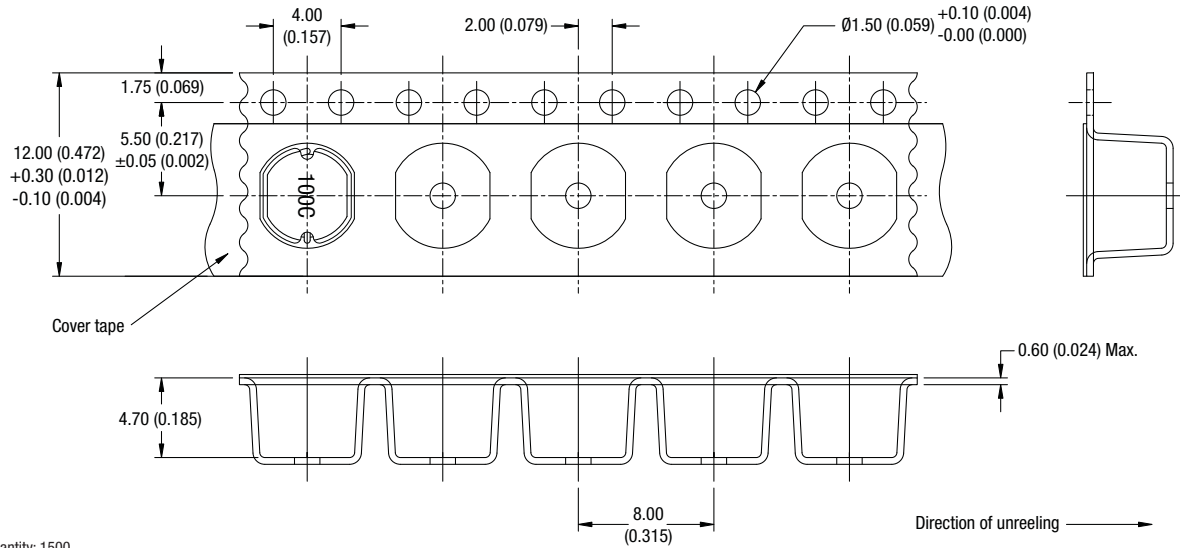
SHIELDED TYPES



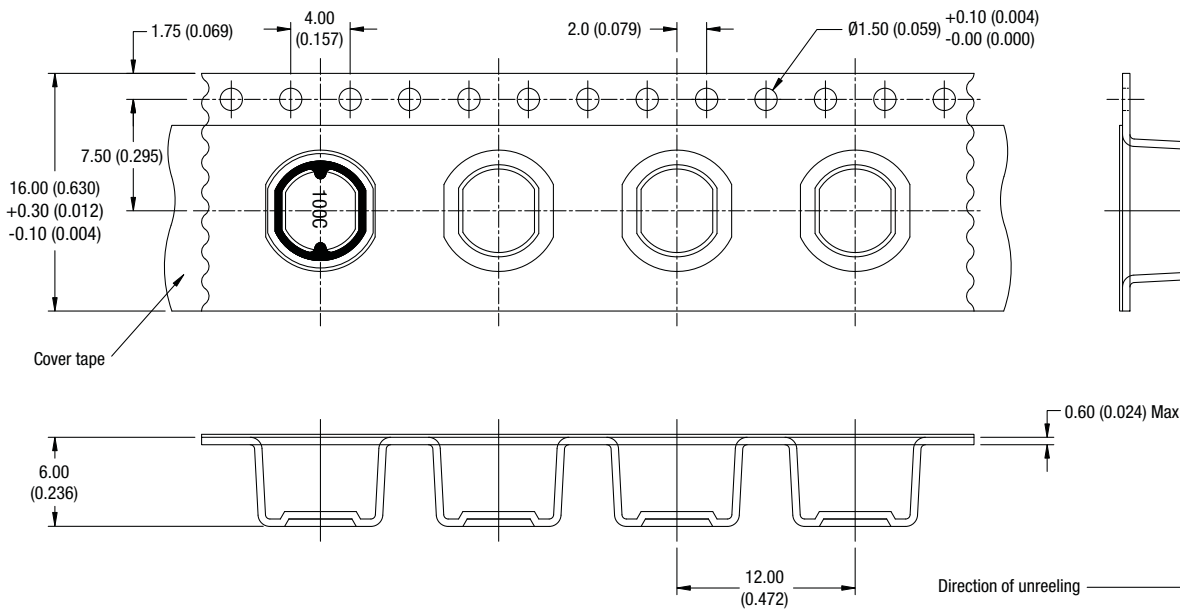
Unless otherwise stated all dimensions in mm (inches) ±0.25 (0.01). Package Weight 0.72g Typ.

TAPE & REEL SPECIFICATIONS

TAPE OUTLINE DIMENSIONS - UNSHIELDED PARTS

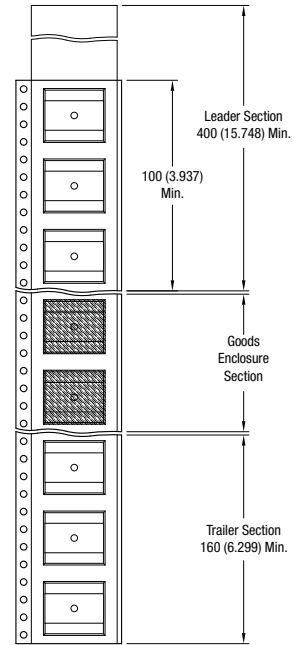
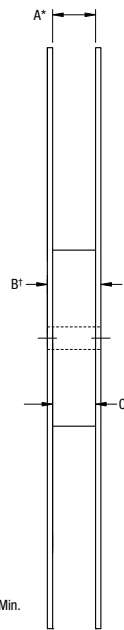
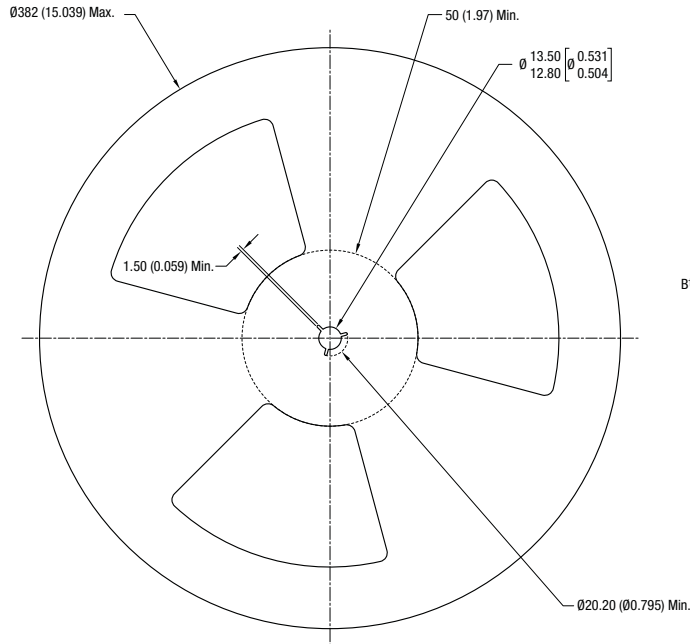


TAPE OUTLINE DIMENSIONS - SHIELDED PARTS



TAPE & REEL SPECIFICATIONS

REEL OUTLINE DIMENSIONS



All dimension in mm [inches]
 * Includes flange distortion at outer edge
 † Measured at hub

	A	B (Max.)	C
Unshielded Types	11.9-15.4 (0.469-0.606)	18.4 (0.724)	12.4-12.6 (0.488-0.496)
Shielded Types	15.9-19.4 (0.626-0.764)	22.4 (0.882)	16.4-16.6 (0.646-0.654)

Murata Power Solutions, Inc.
 11 Cabot Boulevard, Mansfield, MA 02048-1151 U.S.A.
 ISO 9001 and 14001 REGISTERED

Murata Power Solutions, Inc. makes no representation that the use of its products in the circuits described herein, or the use of other technical information contained herein, will not infringe upon existing or future patent rights. The descriptions contained herein do not imply the granting of licenses to make, use, or sell equipment constructed in accordance therewith. Specifications are subject to change without notice.
 © 2011 Murata Power Solutions, Inc.