



Chipsmall Limited consists of a professional team with an average of over 10 year of expertise in the distribution of electronic components. Based in Hongkong, we have already established firm and mutual-benefit business relationships with customers from,Europe,America and south Asia,supplying obsolete and hard-to-find components to meet their specific needs.

With the principle of “Quality Parts,Customers Priority,Honest Operation,and Considerate Service”,our business mainly focus on the distribution of electronic components. Line cards we deal with include Microchip,ALPS,ROHM,Xilinx,Pulse,ON,Everlight and Freescale. Main products comprise IC,Modules,Potentiometer,IC Socket,Relay,Connector.Our parts cover such applications as commercial,industrial, and automotives areas.

We are looking forward to setting up business relationship with you and hope to provide you with the best service and solution. Let us make a better world for our industry!



Contact us

Tel: +86-755-8981 8866 Fax: +86-755-8427 6832

Email & Skype: info@chipsmall.com Web: www.chipsmall.com

Address: A1208, Overseas Decoration Building, #122 Zhenhua RD., Futian, Shenzhen, China



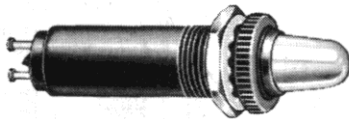
Neon Indicator Lights

It is possible to provide indicator lights of very small dimensions, that may be applied directly to commercial voltage circuits when T-2 neon lamps are used as the light sources.

These neon glow lamps are very uniform in their performance and exceptionally free of early failures. When recommended series resistors are used, very long minimum life ratings apply. High lamp reliability makes it reasonable to offer these lights with non-replaceable lamps.

Lamp C2A (NE-2H) is used in these lights for all applications on 110-125 volts, alternating current. The necessary current-limiting

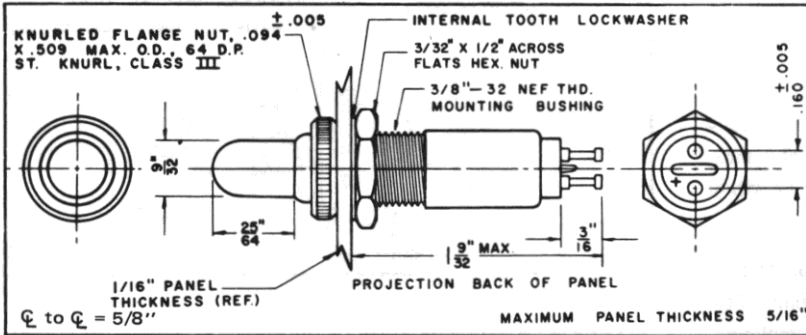
resistor is built into the light housing so that the full voltage may be applied to the terminals. Two levels of operation are provided by the choice of the resistor value—either 22K or 33K ohms. Higher light output is provided by the 22K option and minimum life is still long—5,000 hours. For DC circuits of 105-125 volts, the neon lamp used is A9A (NE-2E). Even lower voltages may be accommodated by the use of selected lamps. Data will be provided on application.



249-7866-0931-514

MOUNT FROM REAR IN 3/8" CLEARANCE HOLE

WITH BUILT-IN RESISTOR



In this series of assemblies, the non-replaceable neon lamp is combined with a built-in current-limiting resistor. Indicator lights are offered with a choice of stovepipe, flat or short cylindrical lens. The latter two may be hot-stamped or engraved if desired. See "Hot-Stamped or Engraved Legends" on Page 25B

See "Materials and Finishes" on facing page.

Hot-Stamped or Engraved Legends: See description on Page 25B.

PERMANENT LAMP INDICATOR LIGHTS WITH BUILT-IN RESISTOR

Lens Color	With Stovepipe Lens Shape		With Short Cylindrical Lens Shape		With Flat Lens Shape	
	Standard Brightness 56K*	High Brightness 22K*	Standard Brightness 56K*	High Brightness 22K*	Standard Brightness 56K*	High Brightness 22K*
Red	249-7841-0931-544	249-7866-0931-514	249-7841-1431-544	249-7866-1431-514	249-7841-0331-544	249-7866-0331-514
Yellow (Amber)	249-7841-0933-544	249-7866-0933-514	249-7841-1433-544	249-7866-1433-514	249-7841-0333-544	249-7866-0333-514
White (Translucent)	249-7841-0935-544	249-7866-0935-514	249-7841-1435-544	249-7866-1435-514	249-7841-0335-544	249-7866-0335-514
Clear (Colorless)	249-7841-0937-544	249-7866-0937-514	249-7841-1437-544	249-7866-1437-514	249-7841-0337-544	249-7866-0337-514

*See recommended resistance values and appropriate part number designations on facing page.



249-7866-0331-514



249-7841-1431-544

WITH BUILT-IN RESISTOR

