



Chipsmall Limited consists of a professional team with an average of over 10 year of expertise in the distribution of electronic components. Based in Hongkong, we have already established firm and mutual-benefit business relationships with customers from,Europe,America and south Asia,supplying obsolete and hard-to-find components to meet their specific needs.

With the principle of “Quality Parts,Customers Priority,Honest Operation,and Considerate Service”,our business mainly focus on the distribution of electronic components. Line cards we deal with include Microchip,ALPS,ROHM,Xilinx,Pulse,ON,Everlight and Freescale. Main products comprise IC,Modules,Potentiometer,IC Socket,Relay,Connector.Our parts cover such applications as commercial,industrial, and automotives areas.

We are looking forward to setting up business relationship with you and hope to provide you with the best service and solution. Let us make a better world for our industry!



## Contact us

Tel: +86-755-8981 8866 Fax: +86-755-8427 6832

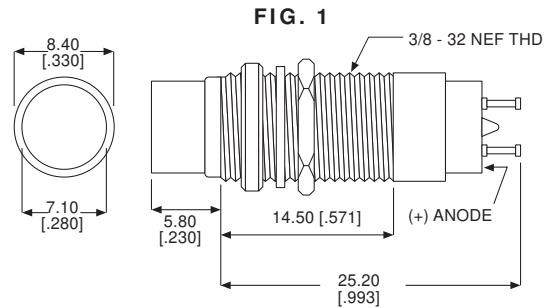
Email & Skype: info@chipsmall.com Web: www.chipsmall.com

Address: A1208, Overseas Decoration Building, #122 Zhenhua RD., Futian, Shenzhen, China



**249 SERIES FOR 3/8" MOUNTING HOLE • CYLINDRICAL CAP**

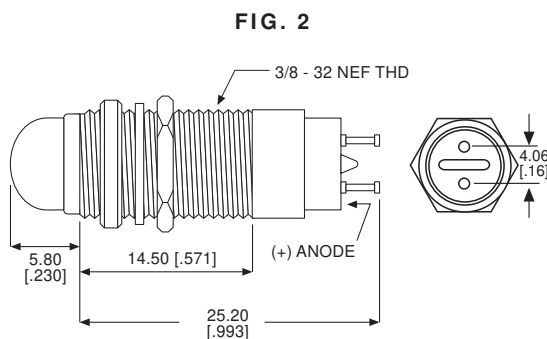
PART NO.	COLOR	V <sub>F</sub>	mA	mcd†	FIG.
249-4162-3334-504	Blue	3	10	120	1
249-7867-3331-504	Red	3.6	20	30	1
249-7967-3332-504	Green	3.6	20	40	1
249-8067-3333-504	Yellow	3.6	20	40	1
249-4164-3334-504	Blue	5	10	120	1
249-7868-3331-504	Red	5	20	30	1
249-7968-3332-504	Green	5	20	40	1
249-8068-3333-504	Yellow	5	20	40	1
249-4166-3334-504	Blue	10	10	120	1
249-7870-3331-504	Red	10	20	30	1
249-7970-3332-504	Green	10	20	40	1
249-8070-3333-504	Yellow	10	20	40	1
249-4167-3334-504	Blue	14	10	120	1
249-7871-3331-504	Red	14	20	30	1
249-7971-3332-504	Green	14	20	40	1
249-8071-3333-504	Yellow	14	20	40	1
249-4168-3334-504	Blue	28	10	120	1
249-7872-3331-504	Red	28	20	30	1
249-7972-3332-504	Green	28	20	40	1
249-8072-3333-504	Yellow	28	20	40	1



† mcd intensity of LED

Material & Finish: Housing, Cartridge and Holder - Black Anodized Aluminum. Cap -High Impact Plastic

**249 SERIES FOR 3/8" MOUNTING HOLE • STOVEPIPE CAP**



PART NO.	COLOR	V <sub>F</sub>	mA	mcd†	FIG.
249-4162-3734-504	Blue	3	10	400	2
249-7867-3731-504	Red	3.6	20	30	2
249-7967-3732-504	Green	3.6	20	40	2
249-8067-3733-504	Yellow	3.6	20	40	2
249-4164-3734-504	Blue	5	10	400	2
249-7868-3731-504	Red	5	20	30	2
249-7968-3732-504	Green	5	20	40	2
249-8068-3733-504	Yellow	5	20	40	2
249-4166-3734-504	Blue	10	10	400	2
249-7870-3731-504	Red	10	20	30	2
249-7970-3732-504	Green	10	20	40	2
249-8070-3733-504	Yellow	10	20	40	2
249-4167-3734-504	Blue	14	10	400	2
249-7871-3731-504	Red	14	20	30	2
249-7971-3732-504	Green	14	20	40	2
249-8071-3733-504	Yellow	14	20	40	2
249-4168-3734-504	Blue	28	10	400	2
249-7872-3731-504	Red	28	20	30	2
249-7972-3732-504	Green	28	20	40	2
249-8072-3733-504	Yellow	28	20	40	2

† mcd intensity of LED

Material & Finish: Housing, Cartridge and Holder - Black Anodized Aluminum. Cap -High Impact Plastic

Dimensions in mm [inches]