



Chipsmall Limited consists of a professional team with an average of over 10 year of expertise in the distribution of electronic components. Based in Hongkong, we have already established firm and mutual-benefit business relationships with customers from,Europe,America and south Asia,supplying obsolete and hard-to-find components to meet their specific needs.

With the principle of “Quality Parts,Customers Priority,Honest Operation,and Considerate Service”,our business mainly focus on the distribution of electronic components. Line cards we deal with include Microchip,ALPS,ROHM,Xilinx,Pulse,ON,Everlight and Freescale. Main products comprise IC,Modules,Potentiometer,IC Socket,Relay,Connector.Our parts cover such applications as commercial,industrial, and automotives areas.

We are looking forward to setting up business relationship with you and hope to provide you with the best service and solution. Let us make a better world for our industry!



Contact us

Tel: +86-755-8981 8866 Fax: +86-755-8427 6832

Email & Skype: info@chipsmall.com Web: www.chipsmall.com

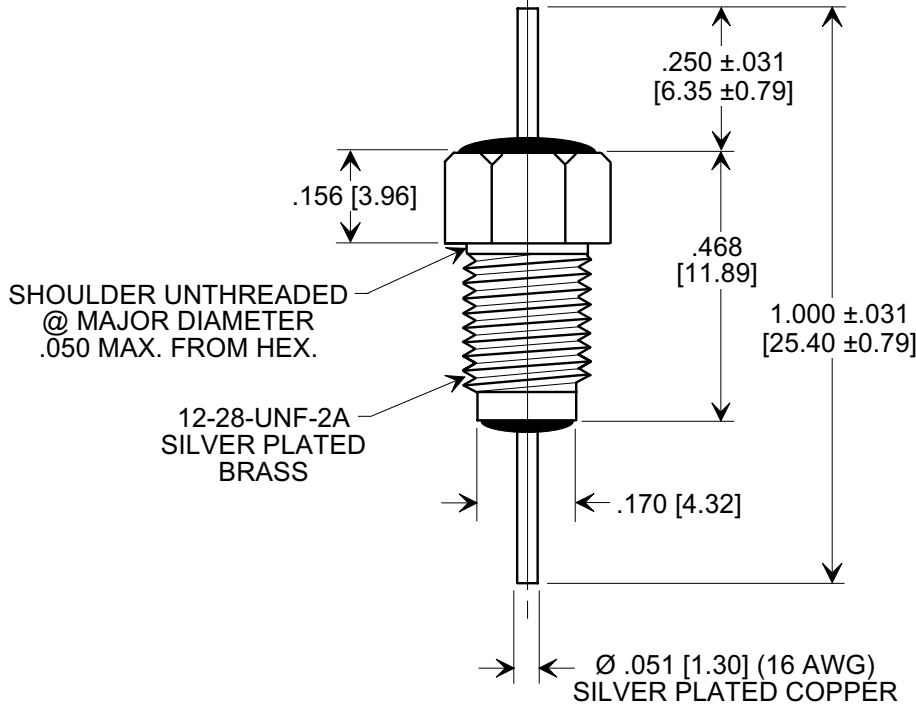
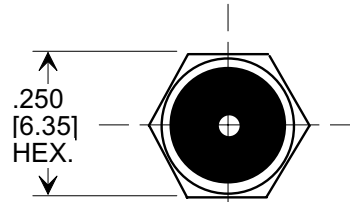
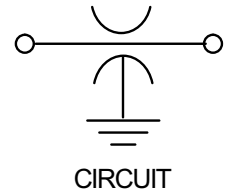
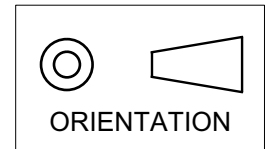
Address: A1208, Overseas Decoration Building, #122 Zhenhua RD., Futian, Shenzhen, China



This drawing is the property of Tusonix, Inc., and may not be used, reproduced, published or disclosed to others without expressed authorization by Tusonix Inc.

Electrical Testing
per Tusonix standard
test plans and Mil-Std-202
Test Methods.

MARKETING SALES DRAWING
DIMENSIONS IN INCHES - DO NOT SCALE THIS DRAWING
DIMENSIONS IN METRIC - []



SPECIFICATIONS

TUSONIX STYLE.	2499-003
Capacitance Value:	10,000 pF
Capacitance Tolerance:	+80 / -20%
Temp. Characteristics:	X7W
Rating:	250 WVDC @ 125 °C
Current (A):	20
IR Min @ 100 vdc	10 GΩ
DWV	1500 VDC
Operating Range:	-55° TO +125°C

NOTES:

- SUPPLIED WITH SILVER PLATED HEX NUT AND INTERNAL TOOTH LOCK WASHER.
- TUSONIX STANDARD PART
NUMBER: 2499-003-X7W0-103Z.
TUSONIX R.o.H.S. COMPLIANT PART
NUMBER: 2499-003-X7W0-103Z LF.
CUSTOMER MUST SPECIFY STANDARD OR RoHS PART NUMBER WHEN ORDERING.
- PART MARKING: TRADEMARK, CAPACITANCE CODE AND TOLERANCE CODE STAMPED ON BUSHING HEX FLATS:
STANDARD PART: BLACK MARKING.
RoHS COMPLIANT PART: GREEN MARKING.

X-2015 Rev-0

REVISION RECORD	Original Release C.O. 19980831-1-01	0	DIM'S IN METRIC & NOTE ADDED, SPEC. TABLE REVISED L.E. 01-27-04	ADDED NOTES 2 & 3. S.M. 01-11-06	1	DIM .051 METRIC WAS 1.29. S.M. 07-24-06	2	REDRAWN BUSHING WITH SHOULDER. S.M. 08-09-06	3	20060728-2-14	4		
	20040126-2-02			20060111-1-01		20060712-1-12							
--TOLERANCES-- Unless Otherwise Specified											Title BUSHING TYPE FEED-THRU CAPACITOR		
DECIMAL ± .015 [0.38]											Drawn S.M. 09-01-98		Scale 3 X
ANGLES ±											Approved S.C. 09-01-98		
TUSONIX TUCSON, ARIZONA											A		2499-003-X7W0-103Z